

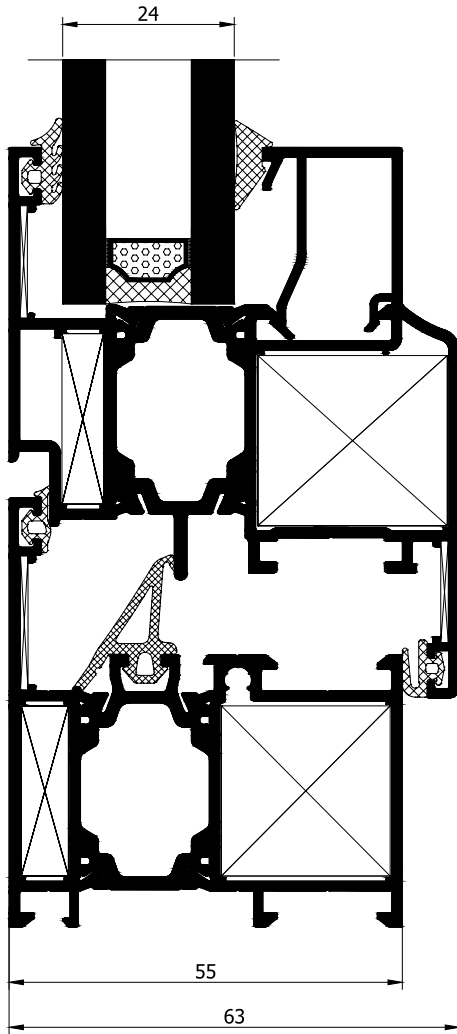
ADO Alüminyum

AD 55 T INSULATED JOINERY SYSTEM





AD 55 T INSULATED JOINERY SYSTEM



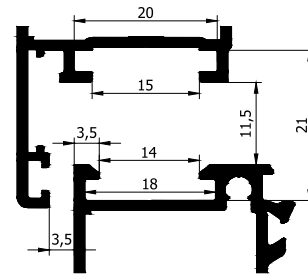
Aluminum profiles are produced from AIMgSi 0,5 - F22 alloy and as per 12020 Standards.

Physical Properties:

1- Density	: 2,71 kg /dm ³
2- Modulus of Elasticity:	: 69 kN /mm ²
3- Resistance	: 20° 33 n Ω .m
4- Melting Point	: 600 - 655 °
5 - Coefficient of Expansion	: 20 - 100° C μ °C ⁺¹

Mechanical Properties:

1- Limit of Elasticity	: 190 MPa
2- Tensile stress :	: 220 MPa
3- Hardness	: 67 Brinell
4- Elongation	: % 10



EURO CHANNEL TYPE 1

SYSTEM DETAILS:

Profile Width: Frame 55mm - Wing 63mm

Thermal Barrier Measure: 18mm

Thermal Transmittance value (Uf) : 2.520 W/m²K

Weatherstrip (Seal): All weatherstrips are Rubber EPDM.

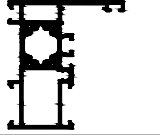
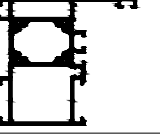
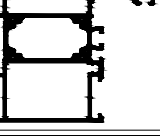
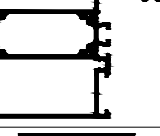
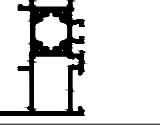
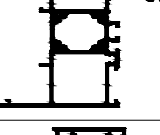
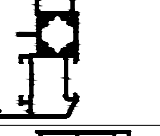
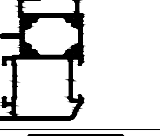
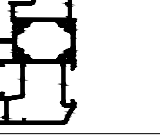
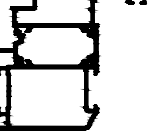
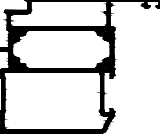
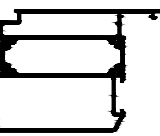
Feasible Window Types: Inward-opening – Double-opening – Double Wing-opening - Woswagen Window - Pivot window types and Inward-opening Door – Outward-opening Doors.

Usable Glass Thickness: It provides the opportunity of using any double glazing by adjusting with glazing bead in consistence with the EPDM weatherstrip thicknesses and measures from the thickness of 4m single-glazing to the thickness of 34mm double-glazing.

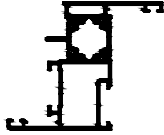

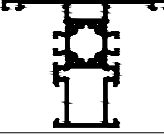
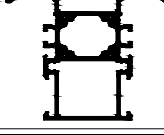
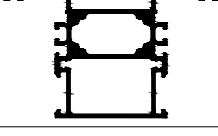
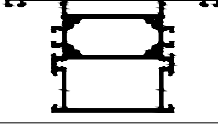
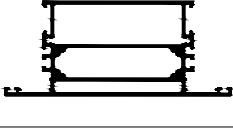
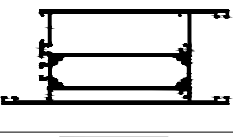
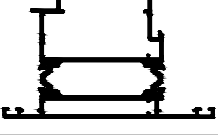
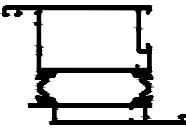
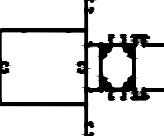
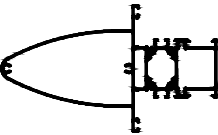
Water discharge: All profiles have water discharge system.

Fittings: Profiles are pressed by using Press Angle block fittings and Claw L parts in order to ensure the corner joints. Central Sash Bars are connected by screwing from the outer frame and with blocks from the inner part.

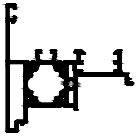
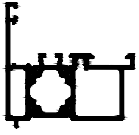
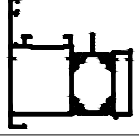
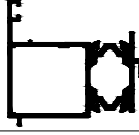
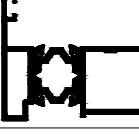
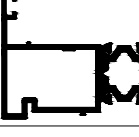
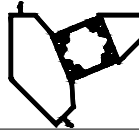
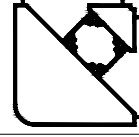
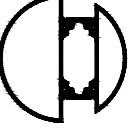
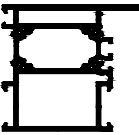
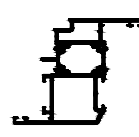
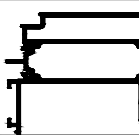
AD 55 T INSULATED JOINERY SYSTEM PROFILES

No:	Profile Shape	Profile Code	Profile Name	Profile Weight (Kg/m)		
1		AD 21 - 001	FRAME PROFILE	1,148 Kg/m		
2		AD 21 - 002	FRAME PROFILE	1,312 Kg/m		
3		AD 21 - 003	FRAME PROFILE	1,475 Kg/m		
4		AD 21 - 004	FRAME PROFILE	1,685 Kg/m		
5		AD 21 - 005	SASH FRAME PROFILE	1,250 Kg/m		
6		AD 21 - 006	SASH FRAME PROFILE	1,530 Kg/m		
7		AD 21 - 007	WING PROFILE	1,272 Kg/m		
8		AD 21 - 008	WING PROFILE	1,435 Kg/m		
9		AD 21 - 009	PVC ACCESSORY COMPATIBLE WING PROFILE	1,455 Kg/m		
10		AD 21 - 010	WING PROFILE	1,646 Kg/m		
11		AD 21 - 011	WING PROFILE	1,815 Kg/m		
12		AD 21 - 012	WING PROFILE	2,065 Kg/m		

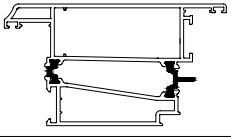
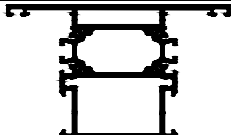
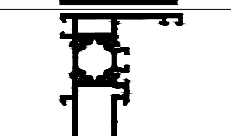
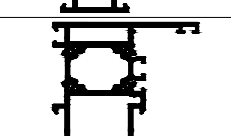
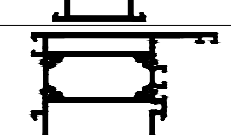
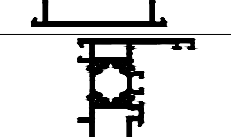
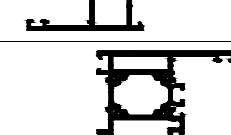
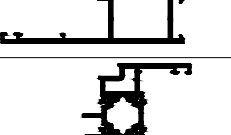
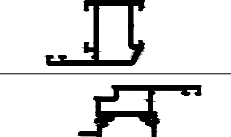
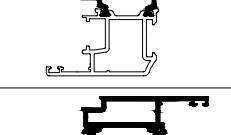
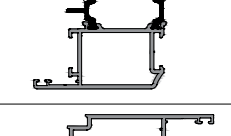
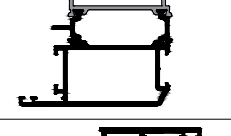
AD 55 T INSULATED JOINERY SYSTEM PROFILES

No:	Profile Shape	Profile Code	Profile Name	Profile Weight (Kg/m)		
13		AD 21 - 013	WING PROFILE	1,215 Kg/m		
14		AD 21 - 014	CONNECTED OUTWARD- OPENING WING PROFILE	2,235 Kg/m		
15		AD 21 - 015	CENTRAL SASH BAR PROFILE	1,295 Kg/m		
16		AD 21 - 016	CENTRAL SASH BAR PROFILE	1,458 Kg/m		
17		AD 21 - 017	CENTRAL SASH BAR PROFILE	1,620 Kg/m		
18		AD 21 - 018	CENTRAL SASH BAR PROFILE	1,835 Kg/m		
19		AD 21 - 019	CENTRAL SASH BAR PROFILE	2,392 Kg/m		
20		AD 21 - 020	SILL PROFILE	2,518 Kg/m		
21		AD 21 - 021	SAME-FACE OUTWARD- OPENING WING PROFILE	1,750 Kg/m		
22		AD 21 - 022	SAME-FACE INWARD- OPENING WING PROFILE	1,712 Kg/m		
23		AD 21 - 023	REINFORCED CENTRAL SASH BAR PROFILE	2,125 Kg/m		
24		AD 21 - 024	REINFORCED CENTRAL SASH BAR PROFILE	2,290 Kg/m		

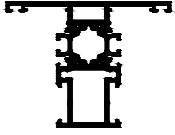
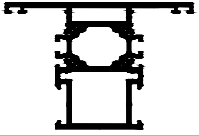
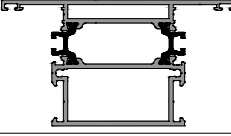
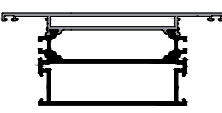
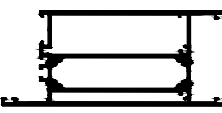
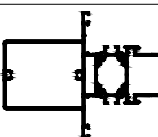
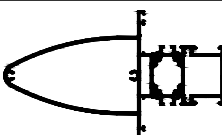
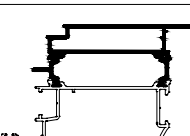
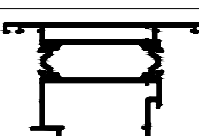
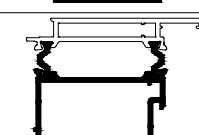
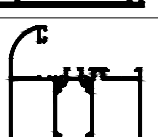
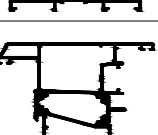
AD 55 T INSULATED JOINERY SYSTEM PROFILES

No:	Profile Shape	Profile Code	Profile Name	Profile Weight (Kg/m)		
25		AD 21 - 025	CONNECTED WING CENTRAL ADAPTOR PROFILE	1,226 Kg/m		
26		AD 21 - 026	CONNECTED OUTWARD-OPENING WING FRAME ADAPTOR PROFILE	1,132 Kg/m		
27		AD 21 - 027	PIVOT WINDOW ADAPTOR	1,316 Kg/m		
28		AD 21 - 028	SAME-FACE DOOR FRAME ADAPTOR PROFILE	0,992 Kg/m		
29		AD 21 - 029	SAME-FACE INWARD-OPENING WING CENTRAL ADAPTOR PROFILE	0,958 Kg/m		
30		AD 21 - 030	SAME-FACE OUTWARD-OPENING WING CENTRAL ADAPTOR PROFILE	0,930 Kg/m		
31		AD 21 - 031	135i CORNER PROFILE	0,900 Kg/m		
32		AD 21 - 032	90i CORNER PROFILE	1,302 Kg/m		
33		AD 21 - 039	CORNER PROFILE	1,132 Kg/m		
34		AD 21 - 051	FRAME PROFILE (2 mm)	1,768 Kg/m		
35		AD 21 - 052	WING PROFILE (2 mm)	1,710 Kg/m		
36		AD 21 - 053	WING PROFILE (2 mm)	2,449 Kg/m		


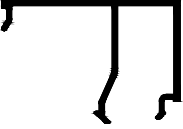
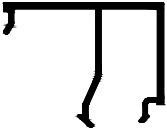
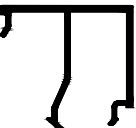
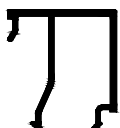

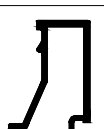

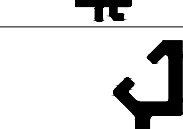

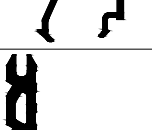

AD 55 T INSULATED JOINERY SYSTEM PROFILES

No:	Profile Shape	Profile Code	Profile Name	Profile Weight (Kg/m)		
37		AD 21 - 054	CONNECTED OUTWARD-OPENING WING PROFILE (2 mm)	2,676 Kg/m		
38		AD 21 - 055	CENTRAL SASH BAR PROFILE (2 mm)	1,936 Kg/m		
39		AD 21 - 056	FRAME PROFILE (2 mm)	1,343 Kg/m		
40		AD 21 - 057	FRAME PROFILE (2 mm)	1,558 Kg/m		
41		AD 21 - 058	FRAME PROFILE (2 mm)	1,980 Kg/m		
42		AD 21 - 059	SASH FRAME PROFILE (2 mm)	1,473 Kg/m		
43		AD 21 - 060	SASH FRAME PROFILE (2 mm)	1,801 Kg/m		
44		AD 21 - 061	WING PROFILE (2 mm)	1,500 Kg/m		
45		AD 21 - 062	PVC ACCESSORY COMPATIBLE WING PROFILE (2 mm)	1,720 Kg/m		
46		AD 21 - 063	WING PROFILE (2 mm)	1,920 Kg/m		
47		AD 21 - 064	WING PROFILE (2 mm)	2,131 Kg/m		
48		AD 21 - 065	WING PROFILE (2 mm)	1,422 Kg/m		

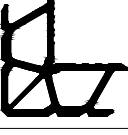
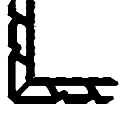

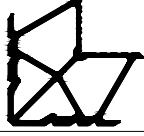








AD 55 T INSULATED JOINERY SYSTEM PROFILES

No:	Profile Shape	Profile Code	Profile Name	Profile Weight (Kg/m)		
49		AD 21 - 066	CENTRAL SASH BAR PROFILE (2 mm)	1,512 Kg/m		
50		AD 21 - 067	CENTRAL SASH BAR PROFILE (2 mm)	1,724 Kg/m		
51		AD 21 - 068	CENTRAL SASH BAR PROFILE (2 mm)	2,146 Kg/m		
52		AD 21 - 069	CENTRAL SASH BAR PROFILE (2 mm)	2,781 Kg/m		
53		AD 21 - 070	SILL PROFILE (2 mm)	2,910 Kg/m		
54		AD 21 - 071	REINFORCED CENTRAL SASH BAR PROFILE (2 mm)	2,567 Kg/m		
55		AD 21 - 072	REINFORCED CENTRAL SASH BAR PROFILE (2 mm)	2,786 Kg/m		
56		AD 21 - 073	PVC ACCESSORY COMPATIBLE WING PROFILE	2,080 Kg/m		
57		AD 21 - 078	SAME-FACE OUTWARD-OPENING WING PROFILE (2 mm)	2,020 Kg/m		
58		AD 21 - 079	SAME-FACE OUTWARD-OPENING WING PROFILE (2 mm)	1,980 Kg/m		
59		AD 21 - 088	ELLIPTIC FRAME PROFILE	1,648 Kg/m		
60		AD 21 - 089	PVC ACCESSORY COMPATIBLE OUTWARD-OPENING WING PROFILE	1,846 Kg/m		

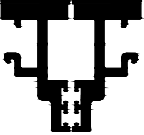

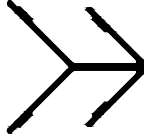
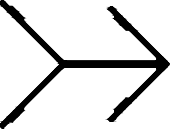
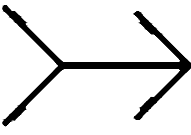
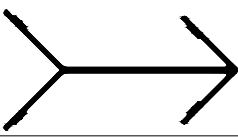
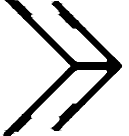
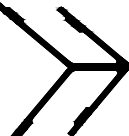
AD 55 T INSULATED JOINERY SYSTEM PROFILES

No:	Profile Shape	Profile Code	Profile Name	Profile Weight (Kg/m)		
61		AD20-038	ROD PROFILE	0,130 Kg/m		
62		AD21-033	SINGLE-GLAZING GLAZING BEAD	0,350 Kg/m		
63		AD21-034	SINGLE-GLAZING GLAZING BEAD	0,335 Kg/m		
64		AD21-035	DOUBLE-GLAZING GLAZING BEAD	0,312 Kg/m		
65		AD21-036	DOUBLE-GLAZING GLAZING BEAD	0,295 Kg/m		
66		AD21-037	DOUBLE-GLAZING GLAZING BEAD	0,278 Kg/m		
67		AD21-038	DOUBLE-GLAZING GLAZING BEAD	0,247 Kg/m		
68		AD21-040	GLAZING BEAD	0,179 Kg/m		
69		AD21-041	GLAZING BEAD	0,140 Kg/m		
70		AD21-087	DOUBLE-GLAZING GLAZING BEAD	0,252 Kg/m		
71		AD21-044	ANGLE BLOCK	3,030 Kg/m		
72		AD21-045	ANGLE BLOCK	3,566 Kg/m		










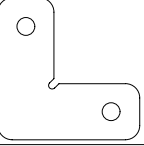
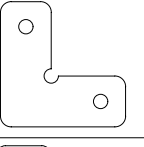
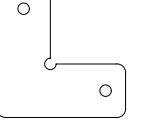
AD 55 T INSULATED JOINERY SYSTEM PROFILES

No:	Profile Shape	Profile Code	Profile Name	Profile Weight (Kg/m)		
73		AD21-046	ANGLE BLOCK	4,157 Kg/m		
74		AD21-047	ANGLE BLOCK	3,220 Kg/m		
75		AD21-048	ANGLE BLOCK	5,307 Kg/m		
76		AD21-050	ANGLE BLOCK	6,366 Kg/m		
77		AD21-042	CENTRAL SASH BAR CONNECTION PROFILE	0,327 Kg/m		
78		AD21-043	CENTRAL SASH BAR CONNECTION PROFILE	0,347 Kg/m		
79		AD21-074	CENTRAL SASH BAR CONNECTION PROFILE	0,507 Kg/m		
80		AD21-075	CENTRAL SASH BAR CONNECTION PROFILE	0,444 Kg/m		
81		AD21-076	CENTRAL SASH BAR CONNECTION PROFILE	0,423 Kg/m		
82		AD21-077	CENTRAL SASH BAR CONNECTION PROFILE	0,388 Kg/m		
83		AD21-080	HINGE PROFILE	0,575 Kg/m		
84		AD21-081	HINGE PROFILE	0,640 Kg/m		

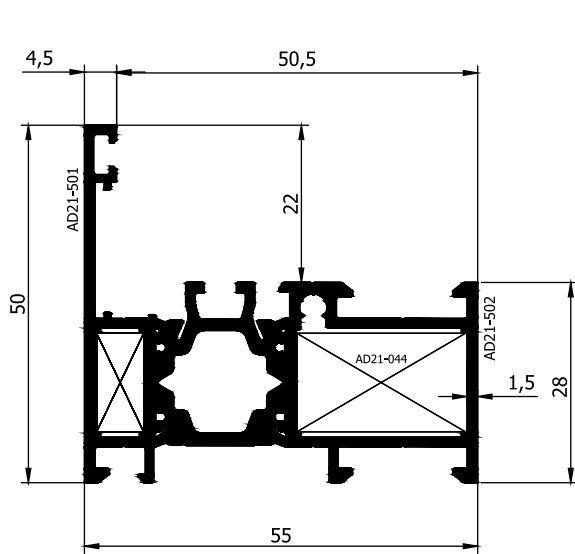
AD 55 T INSULATED JOINERY SYSTEM PROFILES

No:	Profile Shape	Profile Code	Profile Name	Profile Weight (Kg/m)		
85		AD21-049	PIVOT HINGE	3,150 Kg/m		
86		AD16-029	SASH PROFILE	1,092 Kg/m		
87		AD20-048	SCREWED ANGLE CONNECTION PROFILE	1,079 Kg/m		
88		AD20-049	SCREWED ANGLE CONNECTION PROFILE	1,176 Kg/m		
89		AD20-050	SCREWED ANGLE CONNECTION PROFILE	1,271 Kg/m		
90		AD20-051	SCREWED ANGLE CONNECTION PROFILE	1,415 Kg/m		
91		AD20-052	SCREWED ANGLE CONNECTION PROFILE	0,984 Kg/m		
92		AD20-053	SCREWED ANGLE CONNECTION PROFILE	1,016 Kg/m		
93						
94						
95						
96						

AD 55 T INSULATED JOINERY SYSTEM ACCESSORIES

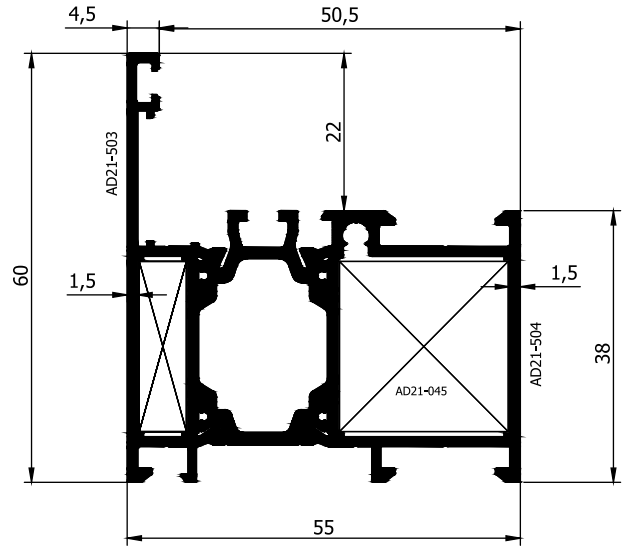
No:	Shape	Name	Code	Parcel Details			
				Mt	Kg		
1		EPDM Interior Connected Weatherstrip	ADO-A-01 020.004.001.03	375	12		
2		EPDM Exterior Connected Weatherstrip	ADO-A-02 020.005.001.03	571	12		
3		EPDM Exterior Glazing Weatherstrip	ADO-A-03 020.001.001.03	267	12		
4		EPDM Central Weatherstrip	ADO-A-04 020.003.001.03	126	12		
5		EPDM Glazing Bead Weatherstrip	ADO-A-05 020.002.001.03	197	12		
6		EPDM Glazing Bead Weatherstrip	ADO-A-06 020.002.002.03	164	12		
7		EPDM Glazing Bead Weatherstrip	ADO-A-07 020.002.003.03	197	12		
8		EPDM Glazing Bead Weatherstrip	ADO-A-08 020.002.004.03	255	12		
9		EPDM Glazing Bead Weatherstrip	ADO-A-09 020.002.005.03	240	12		
10		SHEET ANGLE SQUARE 39,7x15,7	005.002.001.00				
11		SHEET ANGLE SQUARE 35x14,2	005.002.002.00				
12		SHEET ANGLE SQUARE 45x18,7	005.002.003.00				

AD 55 T INSULATED JOINERY SYSTEM 1,5 mm FRAME PROFILES



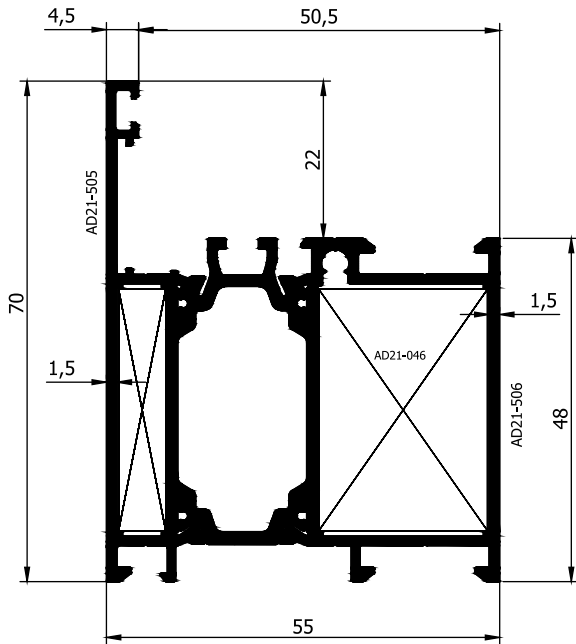
AD 21 - 001 (1,148 Kg/m)

Jx : 14,76 cm⁴ | Jy : 5,15 cm⁴



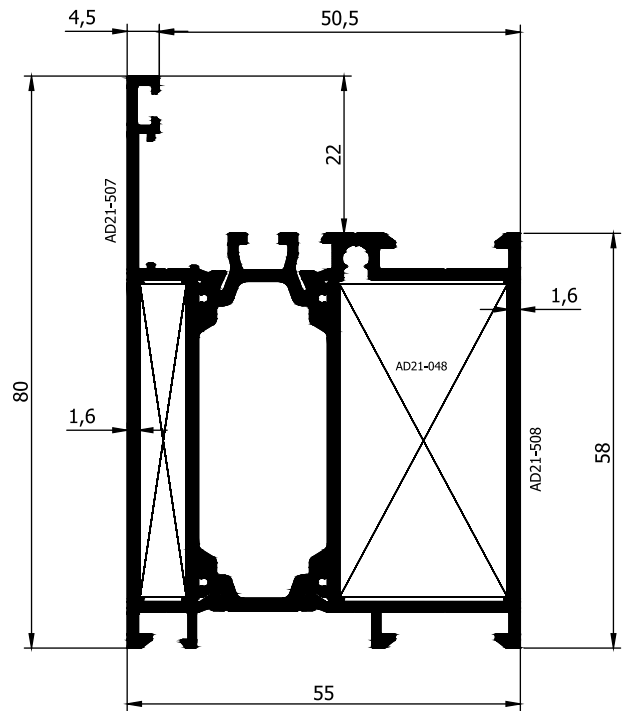
AD 21 - 002 (1,315 Kg/m)

Jx : 17,76 cm⁴ | Jy : 10,22 cm⁴



AD 21 - 003 (1,475 Kg/m)

Jx : 22,25 cm⁴ | Jy : 16,50 cm⁴

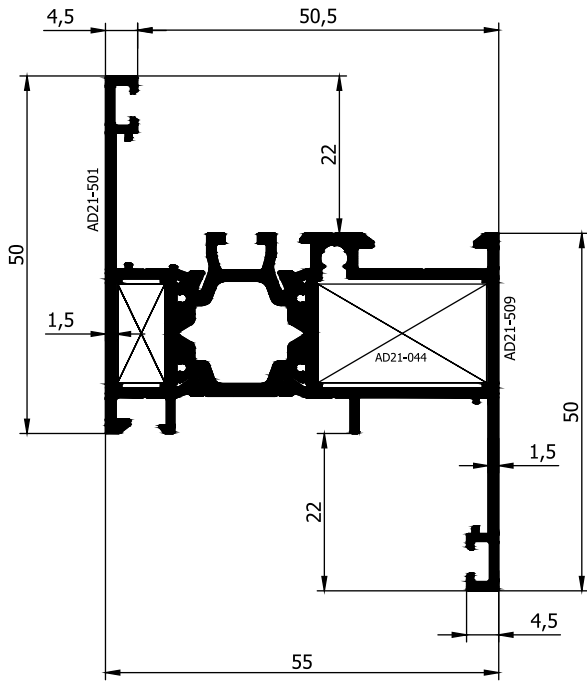


AD 21 - 004 (1,685 Kg/m)

Jx : 32,65 cm⁴ | Jy : 21,67 cm⁴

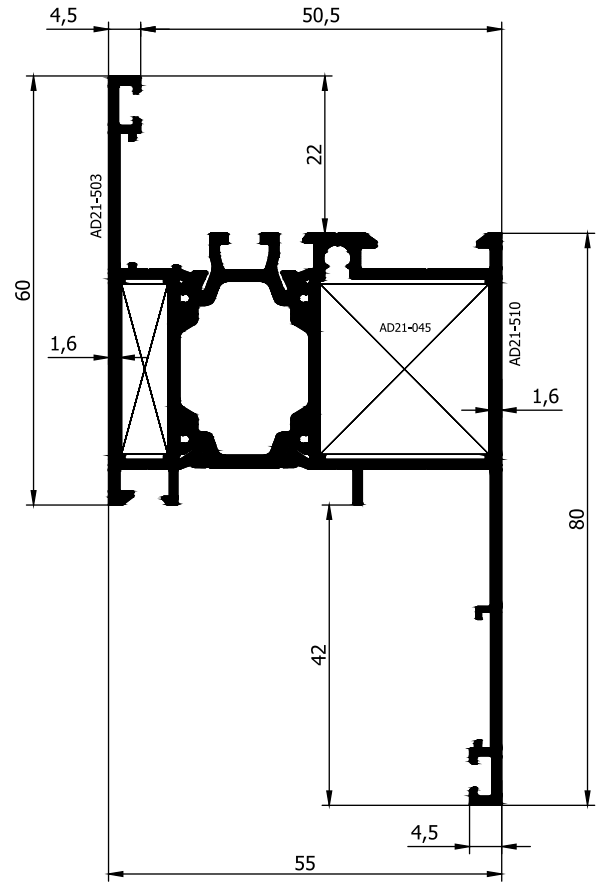
Caution: Our profile weights in the table are theoretical and our weight at the time of delivery is valid.

AD 55 T INSULATED JOINERY SYSTEM 1,5 mm FRAME PROFILES



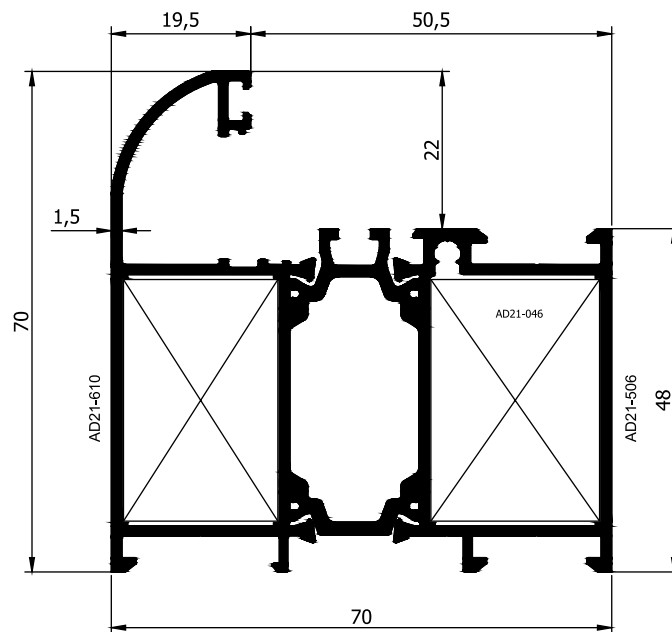
AD 21 - 005 (1,250 Kg/m)

Jx : 20,46 cm⁴ | Jy : 06,40 cm⁴



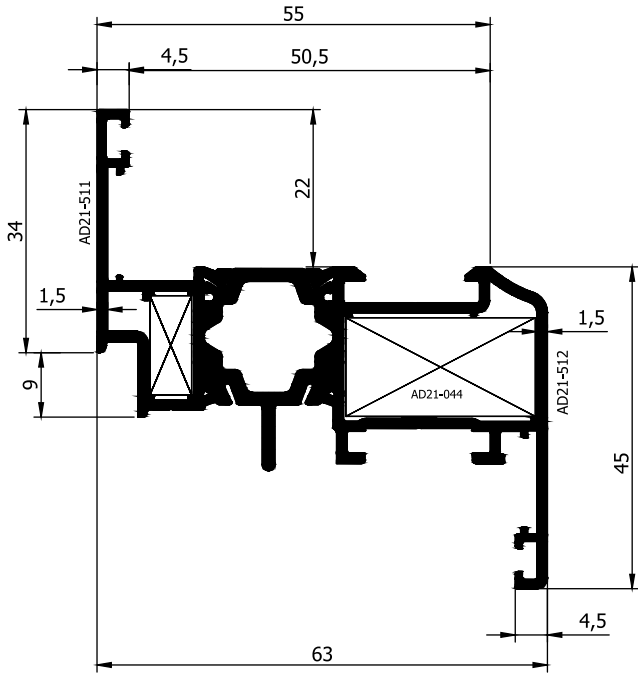
AD 21 - 006 (1,530 Kg/m)

Jx : 37,10 cm⁴ | Jy : 12,93 cm⁴

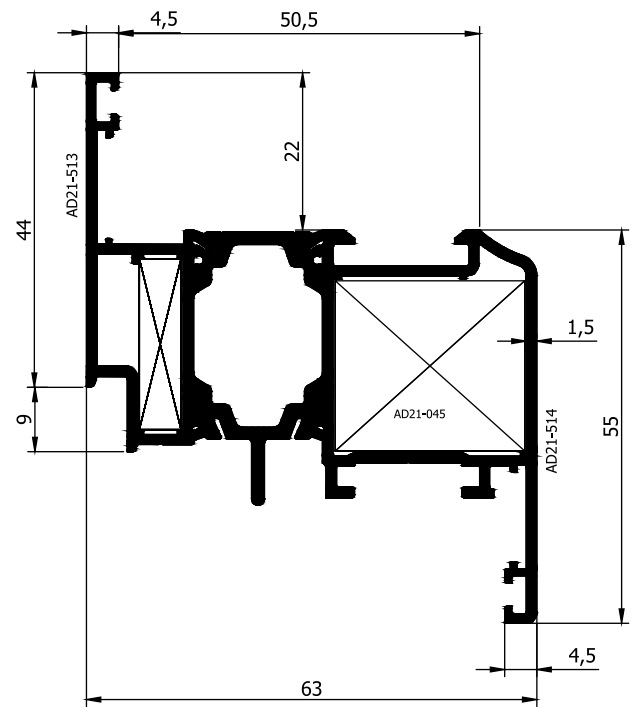


AD 21 - 088 (1,648 Kg/m)

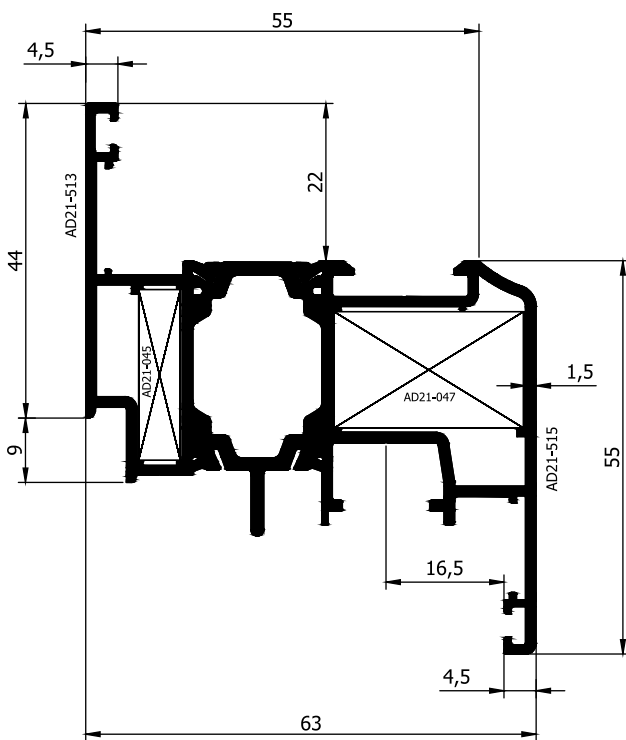
AD 55 T INSULATED JOINERY SYSTEM 1,5 mm WING PROFILES



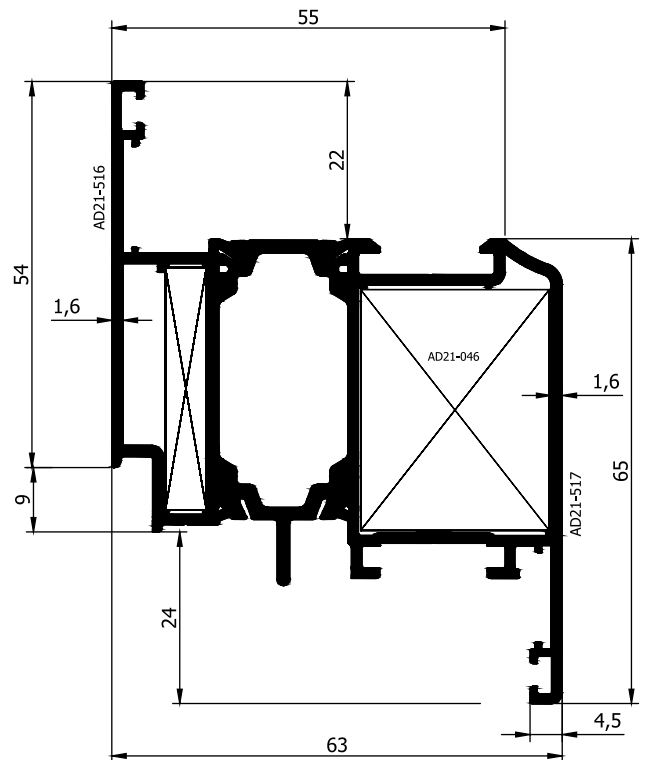
AD 21 - 007 (1,272 Kg/m)
Jx : 24,59 cm⁴ | Jy : 4,91 cm⁴



AD 21 - 008 (1,435 Kg/m)
Jx : 29,72 cm⁴ | Jy : 9,62 cm⁴

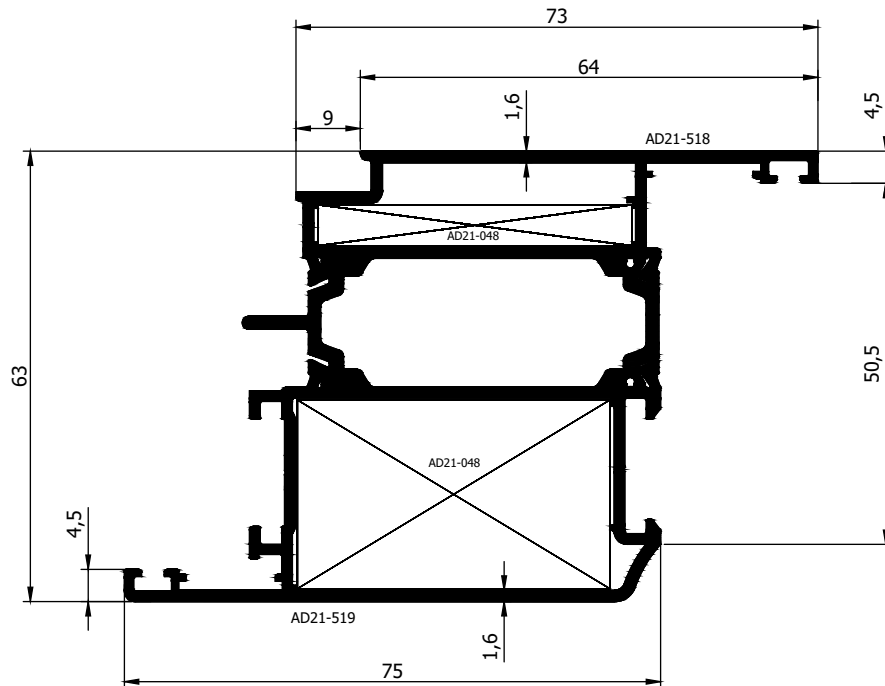


AD 21 - 009 (1,455 Kg/m)
Jx : 29,64 cm⁴ | Jy : 9,44 cm⁴



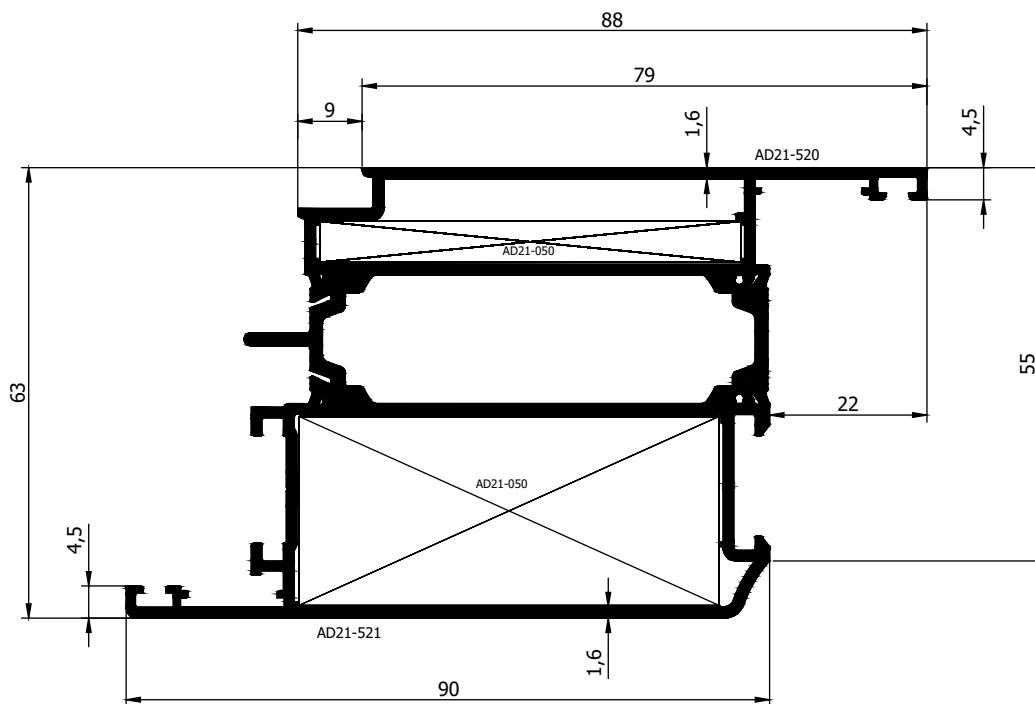
AD 21 - 010 (1,646 Kg/m)
Jx : 37,69 cm⁴ | Jy : 16,19 cm⁴

AD 55 T INSULATED JOINERY SYSTEM 1,5 mm WING PROFILES



AD 21 - 011 (1,815 Kg/m)

Jx : 47,60 cm⁴ | Jy : 22,82 cm⁴

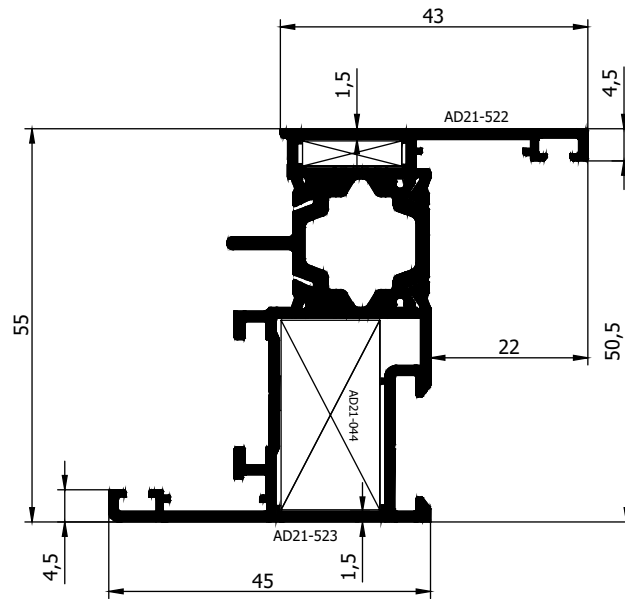


AD 21 - 012 (2,066 Kg/m)

Jx : 70,79 cm⁴ | Jy : 31,33 cm⁴

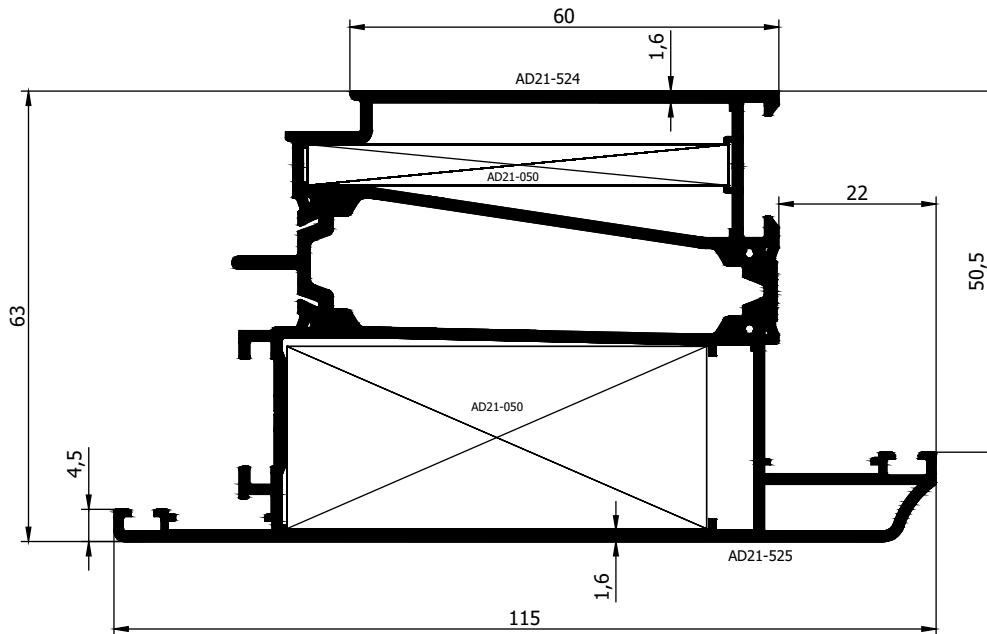
Caution: Our profile weights in the table are theoretical and our weight at the time of delivery is valid.

AD 55 T INSULATED JOINERY SYSTEM 1,5 mm WING PROFILES



AD 21 - 013 (1,215 Kg/m)

Jx : 20,36 cm⁴ | Jy : 5,16 cm⁴

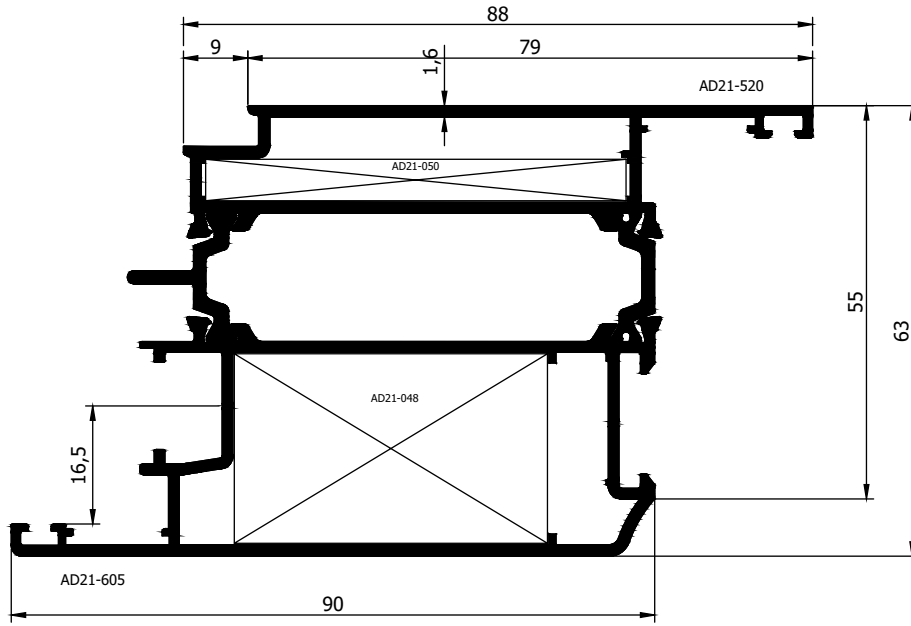


AD 21 - 014 (2,235 Kg/m)

Jx : 78,97 cm⁴ | Jy : 38,99 cm⁴

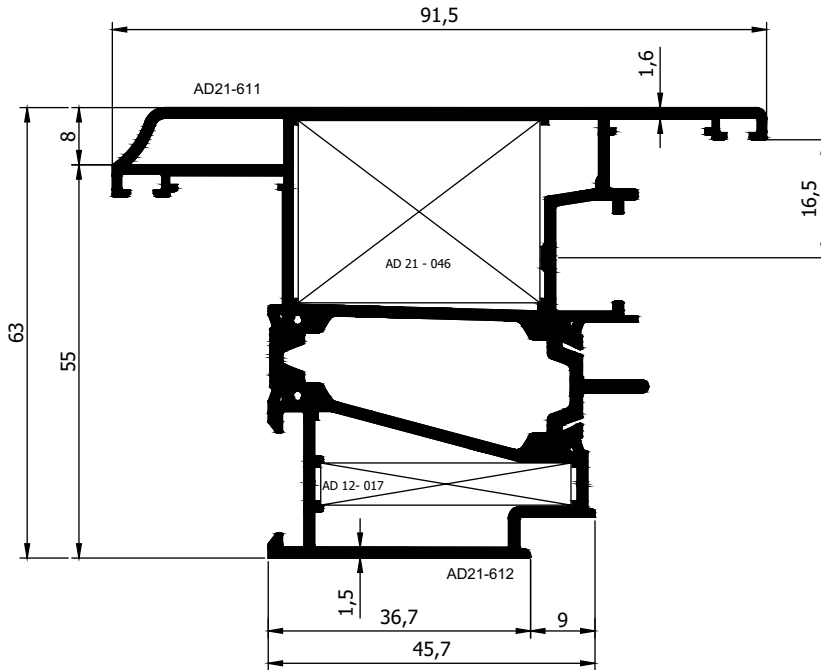
Caution: Our profile weights in the table are theoretical and our weight at the time of delivery is valid.

**AD 55 T INSULATED JOINERY SYSTEM
1,5 mm WING PROFILES**



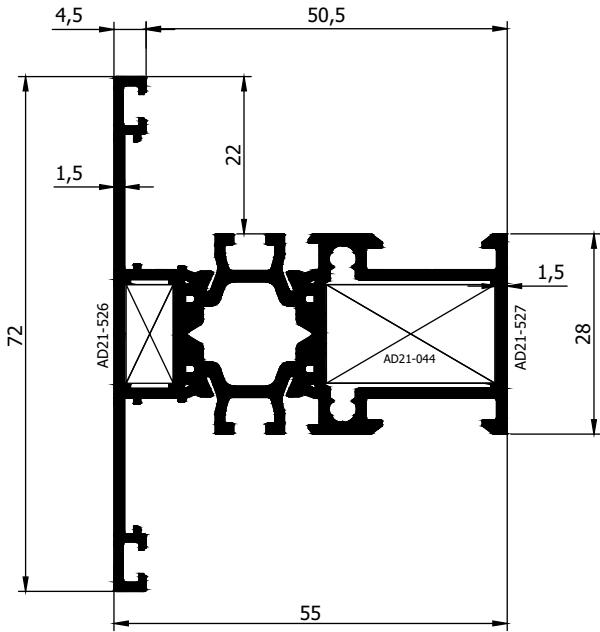
AD21-073 (2,080 Kg/m)

Jx : 69,80 cm⁴ | Jy : 31,31 cm⁴



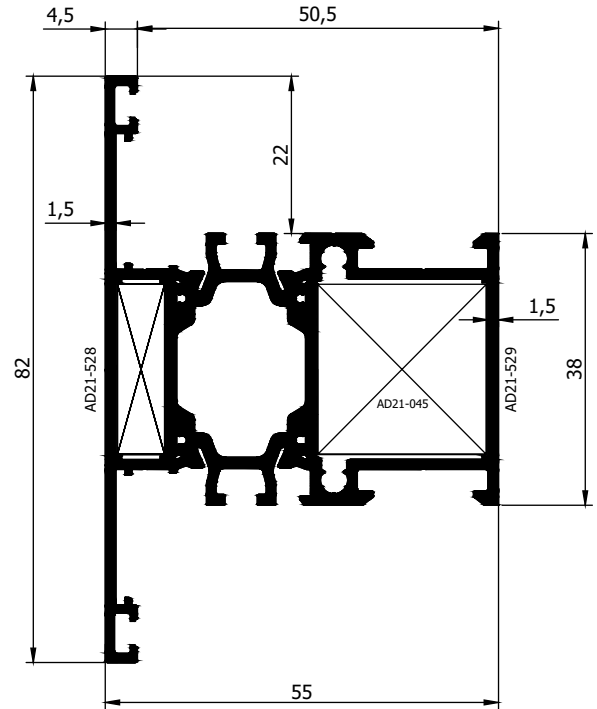
PVC KANALLI DIŐA AÇILIM KANAT PROFİLİ
AD21-089 (1,846 Kg/m)

AD 55 T INSULATED JOINERY SYSTEM 1,5 mm CENTRAL SASH BAR PROFILES



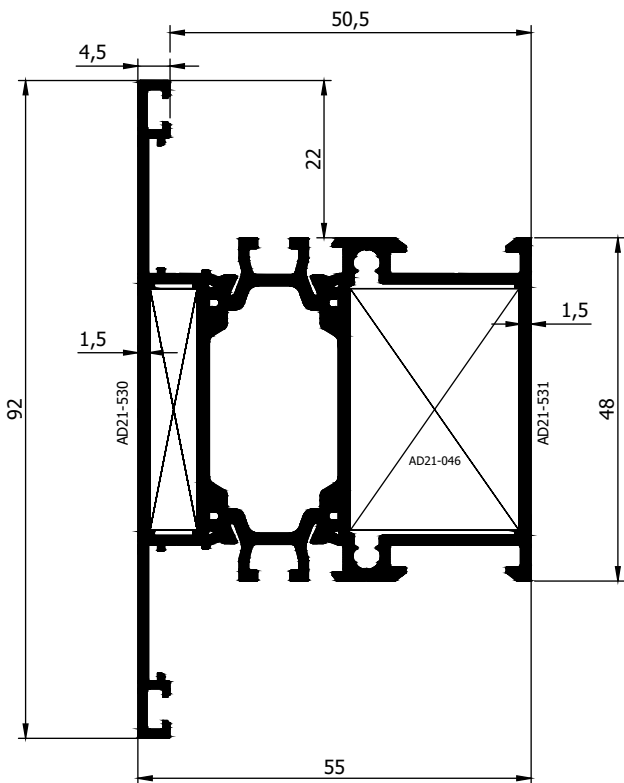
AD 21 - 015 (1,295 Kg/m)

Jx : 16,00 cm⁴ | Jy : 9,53 cm⁴



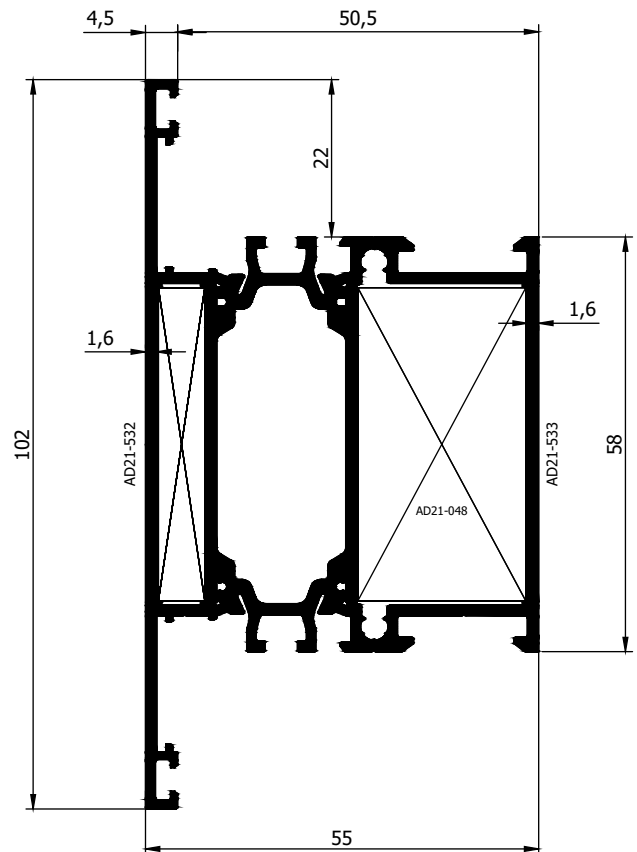
AD 21 - 016 (1,460 Kg/m)

Jx : 18,56 cm⁴ | Jy : 16,71 cm⁴



AD 21 - 017 (1,620 Kg/m)

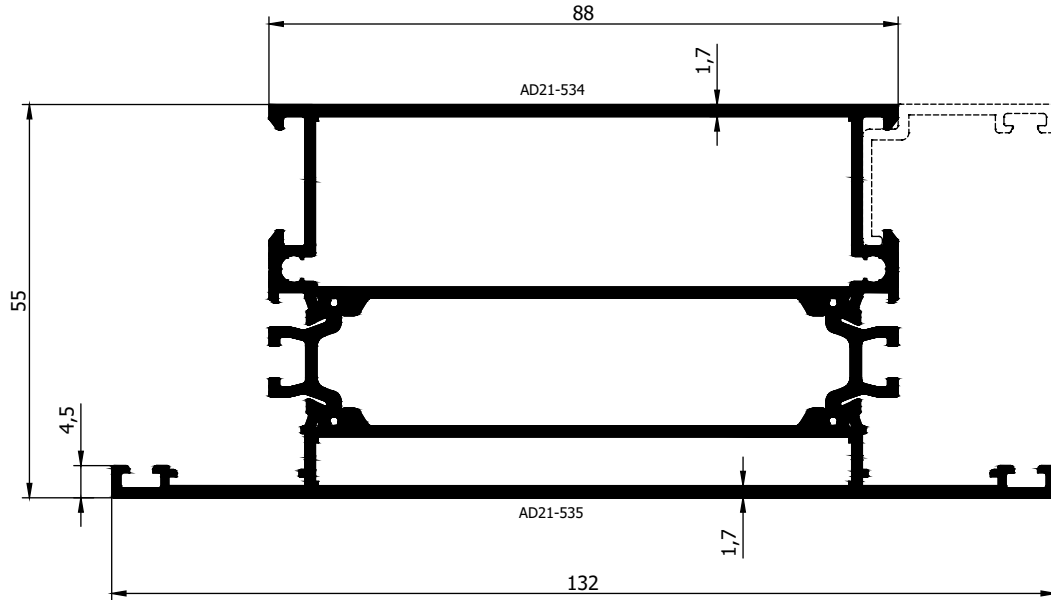
Jx : 26,93 cm⁴ | Jy : 21,12 cm⁴



AD 21 - 018 (1,835 Kg/m)

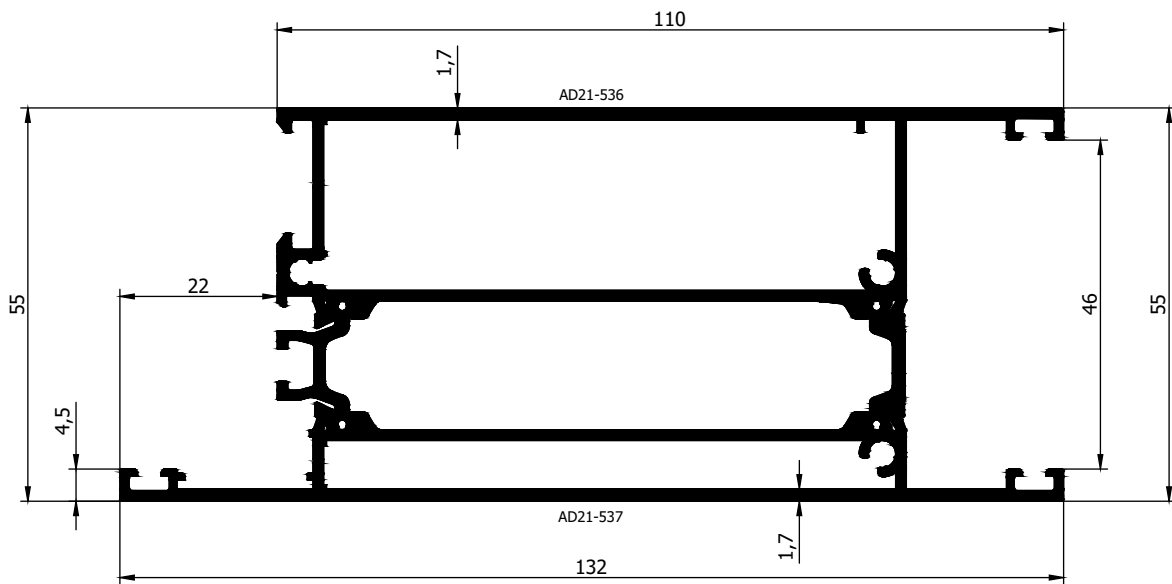
Jx : 41,60 cm⁴ | Jy : 24,78 cm⁴

**AD 55 T INSULATED JOINERY SYSTEM
1,5 mm SILL PROFILES**



AD 21 - 019 (2,390 Kg/m)

Jx : 108,68 cm⁴ | Jy : 34,10 cm⁴

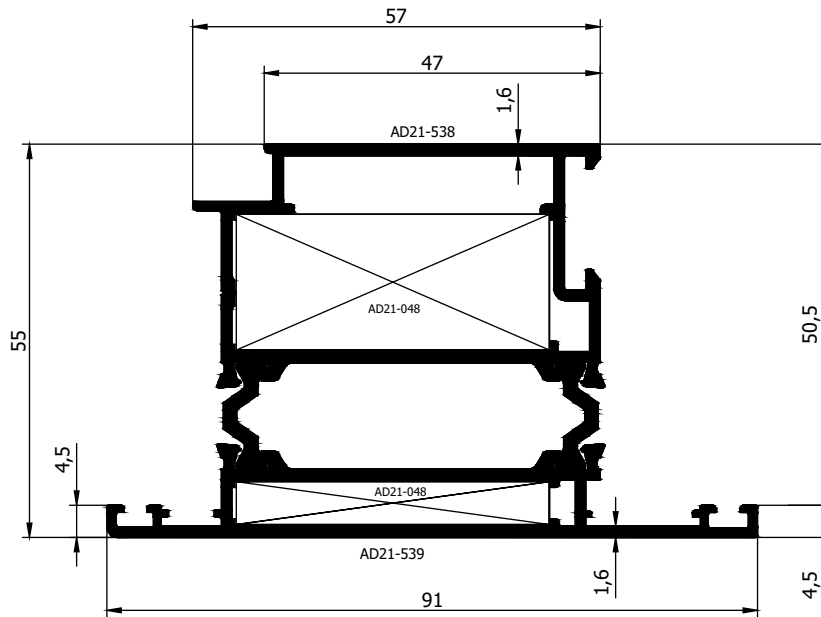


AD 21 - 020 (2,520 Kg/m)

Jx : 125.87 cm⁴ | Jy : 37,95 cm⁴

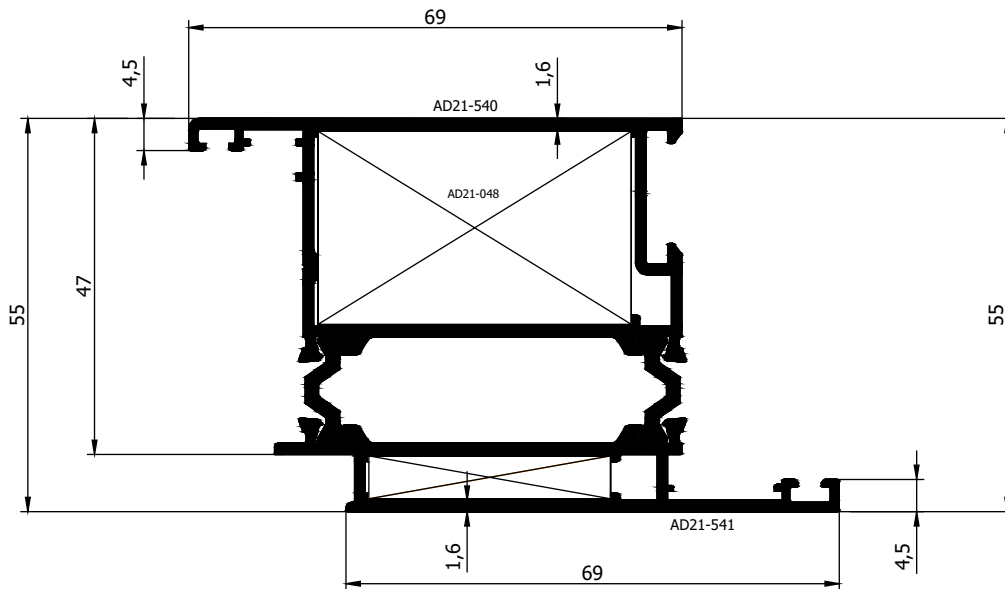
Caution: Our profile weights in the table are theoretical and our weight at the time of delivery is valid.

AD 55 T INSULATED JOINERY SYSTEM 1,5 mm SAME-FACE WING PROFILES



AD 21 - 021 (1,750 Kg/m)

Jx : 33,86 cm⁴ | Jy : 22,58 cm⁴

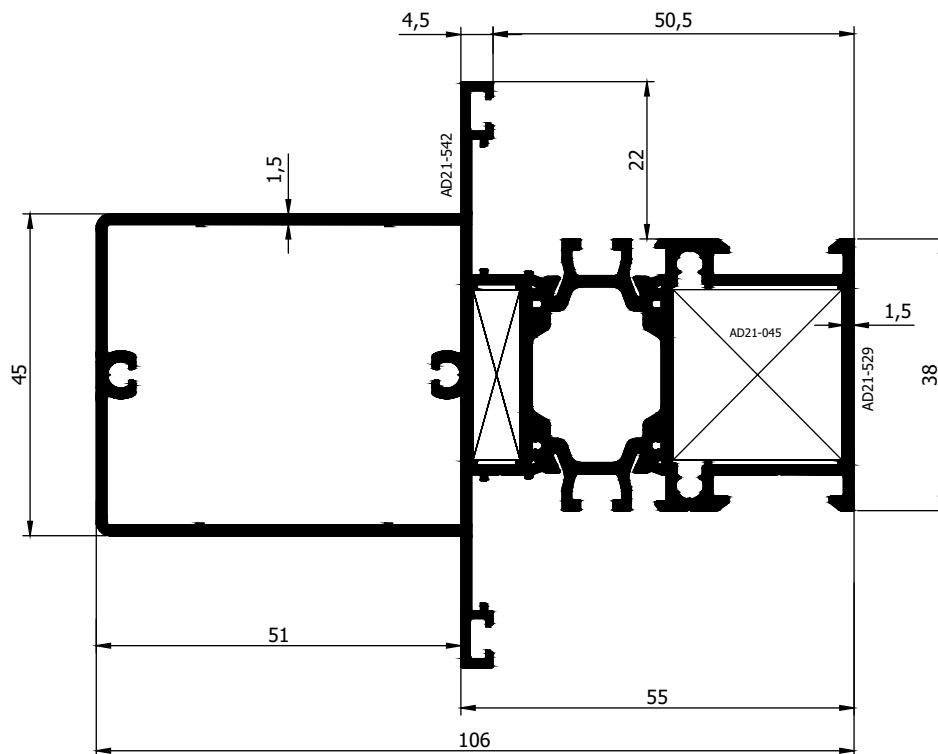


AD 21 - 022 (1,720 Kg/m)

Jx : 37,70 cm⁴ | Jy : 19,65 cm⁴

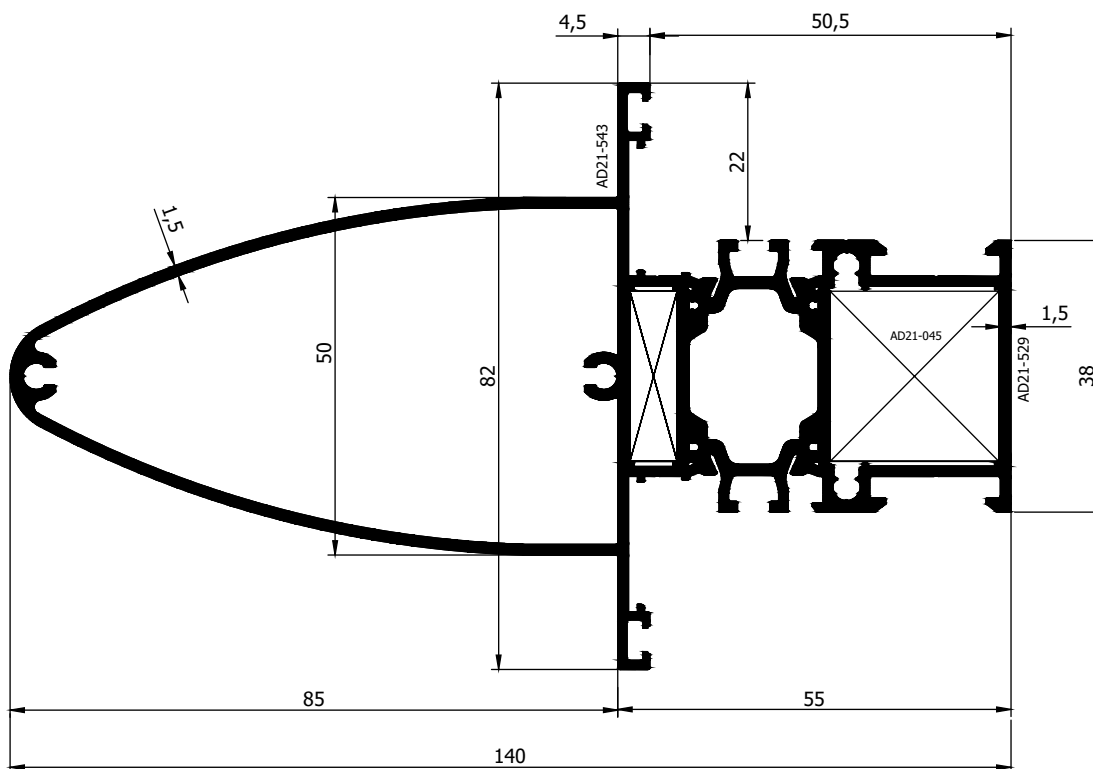
Caution: Our profile weights in the table are theoretical and our weight at the time of delivery is valid.

AD 55 T INSULATED JOINERY SYSTEM 1,5 mm REINFORCED CENTRAL SASH BAR PROFILES



AD 21 - 023 (2,125 Kg/m)

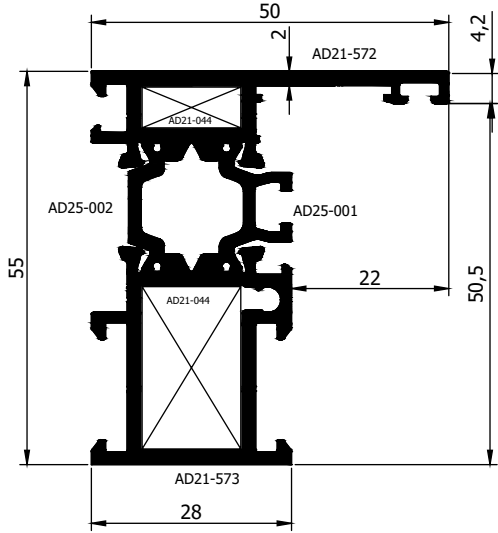
Jx : 75,46 cm⁴ | Jy : 24,86 cm⁴



AD 21 - 024 (2,290 Kg/m)

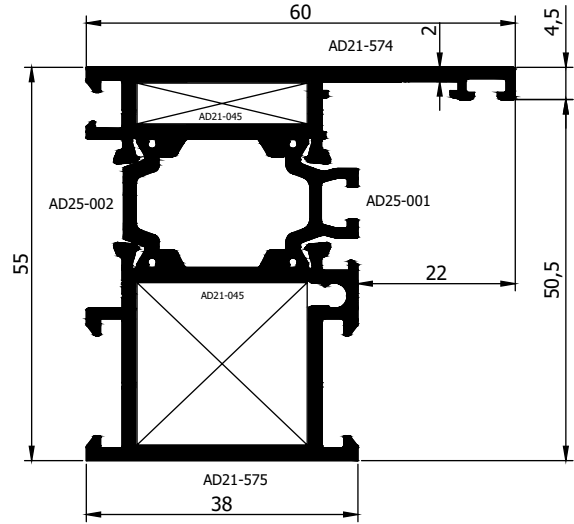
Jx : 129,55 cm⁴ | Jy : 26,43 cm⁴

AD 55 T INSULATED JOINERY SYSTEM 2 mm FRAME PROFILES



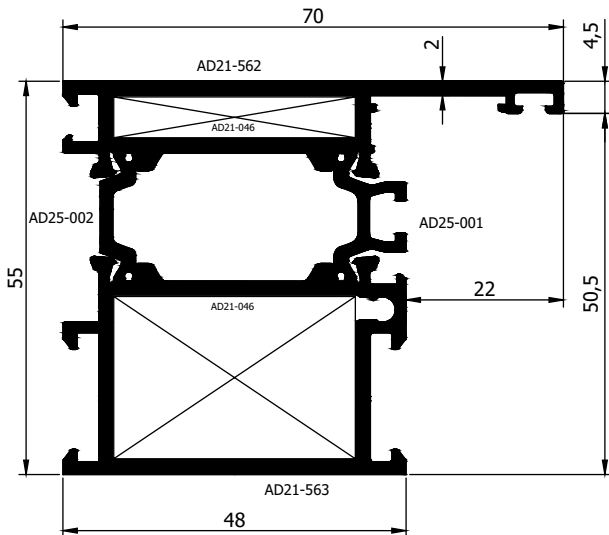
AD 21 - 056 (1,343 Kg/m)

Jx : 17,74 cm⁴ Jy : 5,83 cm⁴



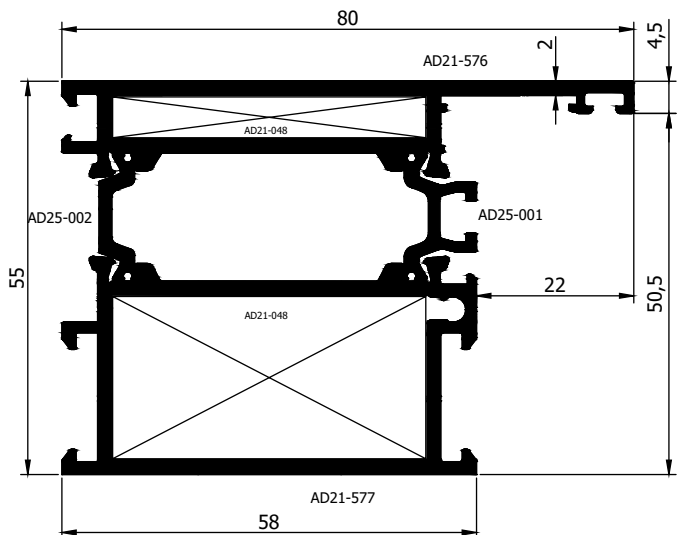
AD 21 - 057 (1,558 Kg/m)

Jx : 21,57 cm⁴ Jy : 11,63 cm⁴



AD 21 - 051 (1,768 Kg/m)

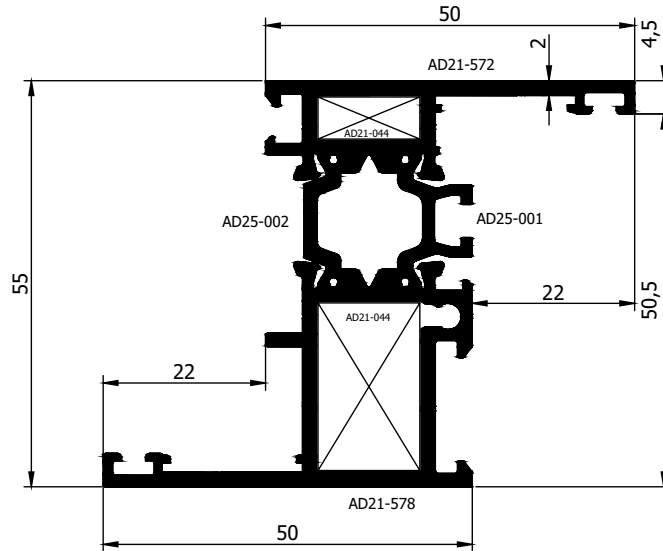
Jx : 26,69 cm⁴ Jy : 19,29 cm⁴



AD 21 - 058 (1,980 Kg/m)

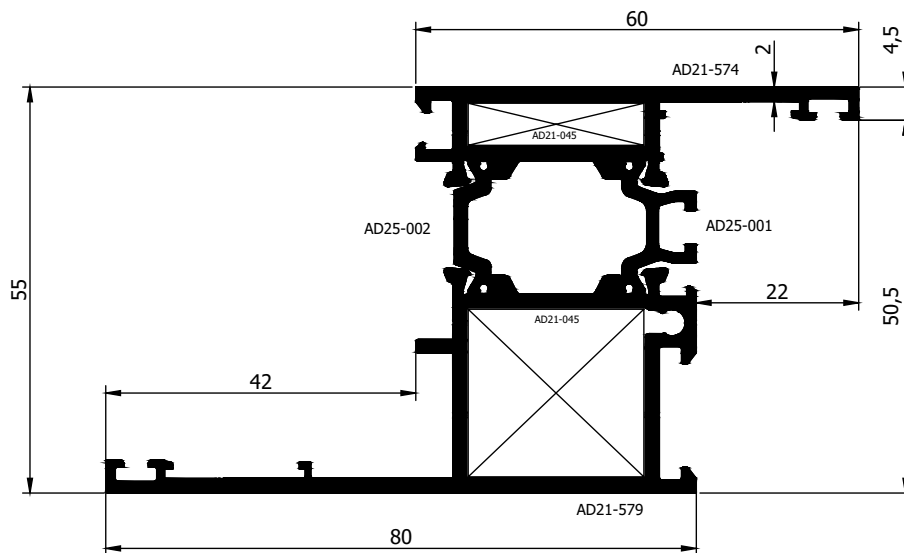
Jx : 36,87 cm⁴ Jy : 25,41 cm⁴

AD 55 T INSULATED JOINERY SYSTEM 2 mm FRAME PROFILES



AD 21 - 059 (1,473 Kg/m)

Jx : 24,59 cm⁴ Jy : 7,30 cm⁴

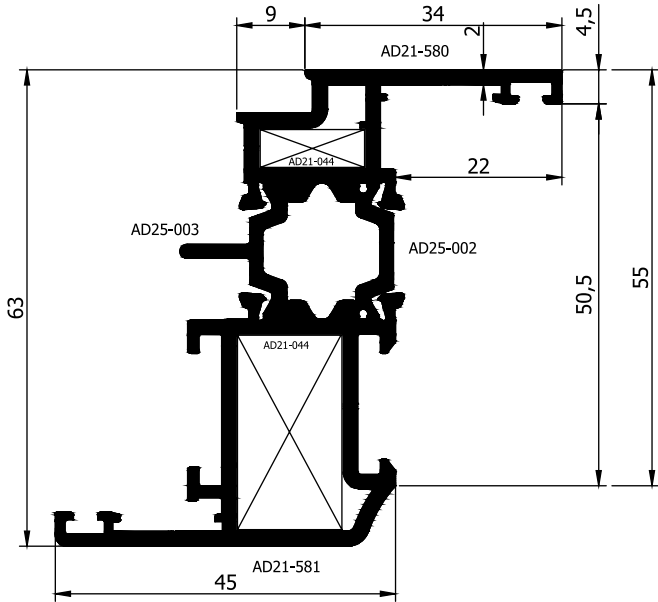


AD 21 - 060 (1,801 Kg/m)

Jx : 43,07 cm⁴ Jy : 14,92 cm⁴

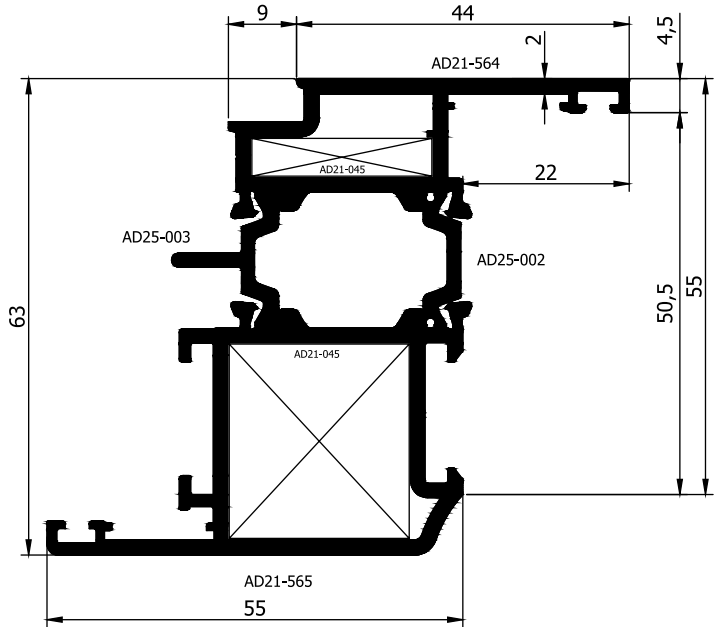
Caution: Our profile weights in the table are theoretical and our weight at the time of delivery is valid.

AD 55 T INSULATED JOINERY SYSTEM 2 mm WING PROFILES



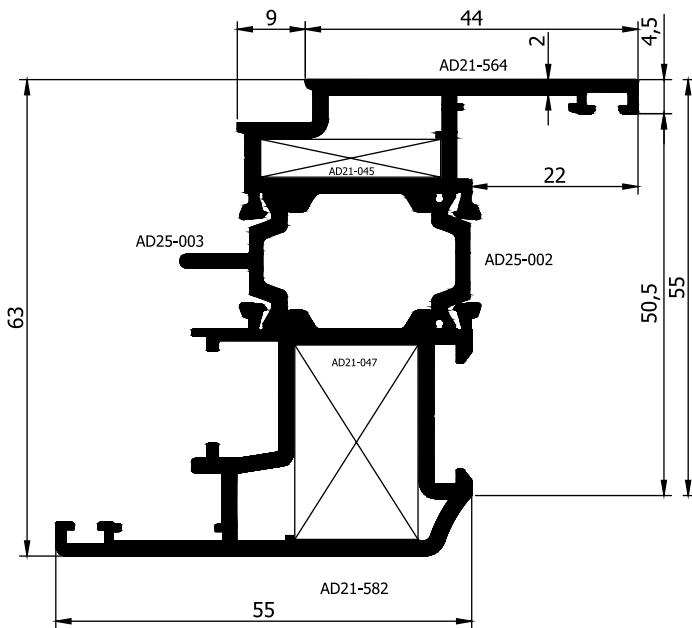
AD 21 - 061 (1,500 Kg/m)

Jx : 29,40 cm⁴ Jy : 5,65 cm⁴



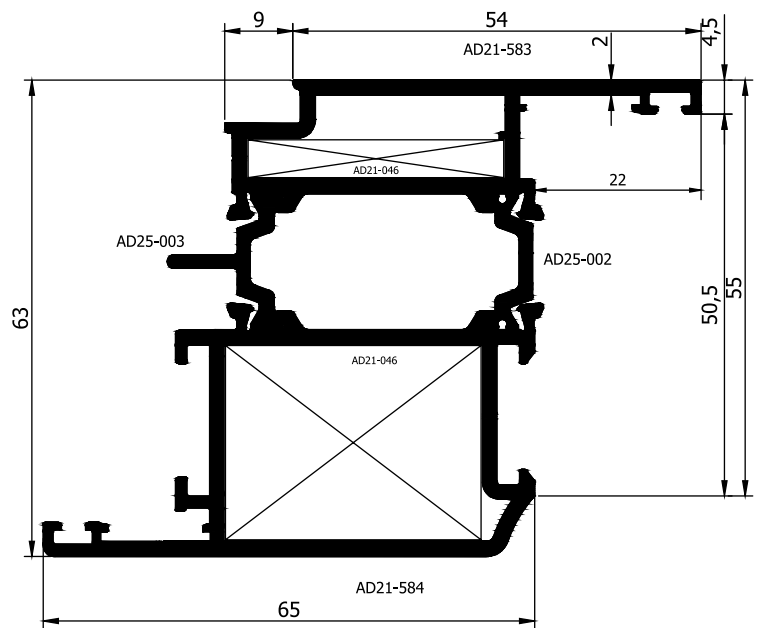
AD 21 - 052 (1,710 Kg/m)

Jx : 35,68 cm⁴ Jy : 11,20 cm⁴



AD 21 - 062 (1,720 Kg/m)

Jx : 35,56 cm⁴ Jy : 10,91 cm⁴

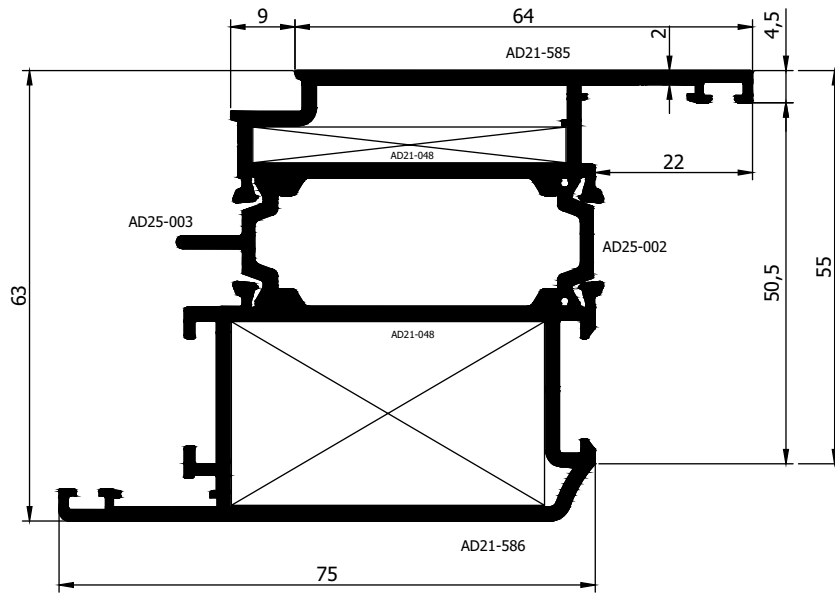


AD 21 - 063 (1,920 Kg/m)

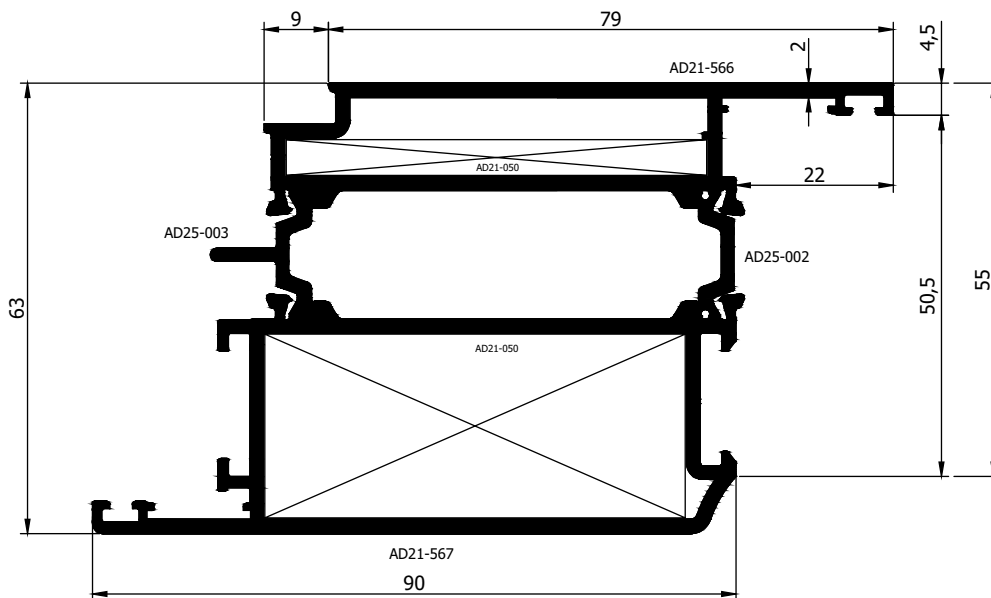
Jx : 43,57 cm⁴ Jy : 18,59 cm⁴

Caution: Our profile weights in the table are theoretical and our weight at the time of delivery is valid.

**AD 55 T INSULATED JOINERY SYSTEM
2 mm WING PROFILES**



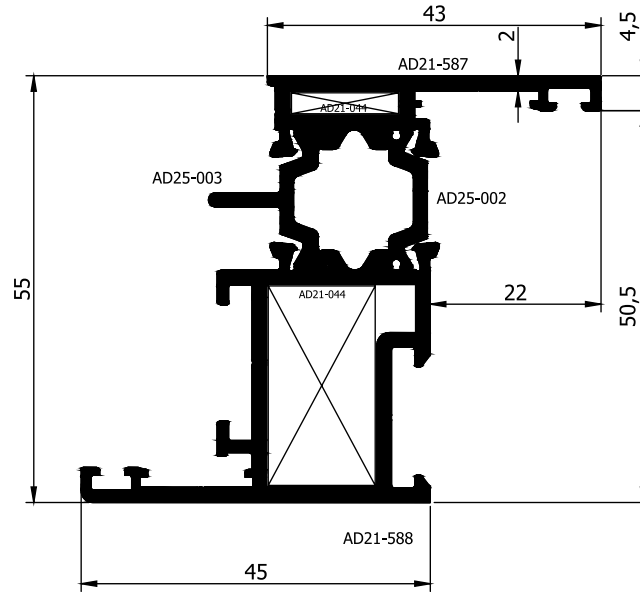
AD 21 - 064 (2,131 Kg/m)
Jx : 54,63 cm⁴ Jy : 26,63 cm⁴



AD 21 - 053 (2,449 Kg/m)
Jx : 80,67 cm⁴ Jy : 37,27 cm⁴

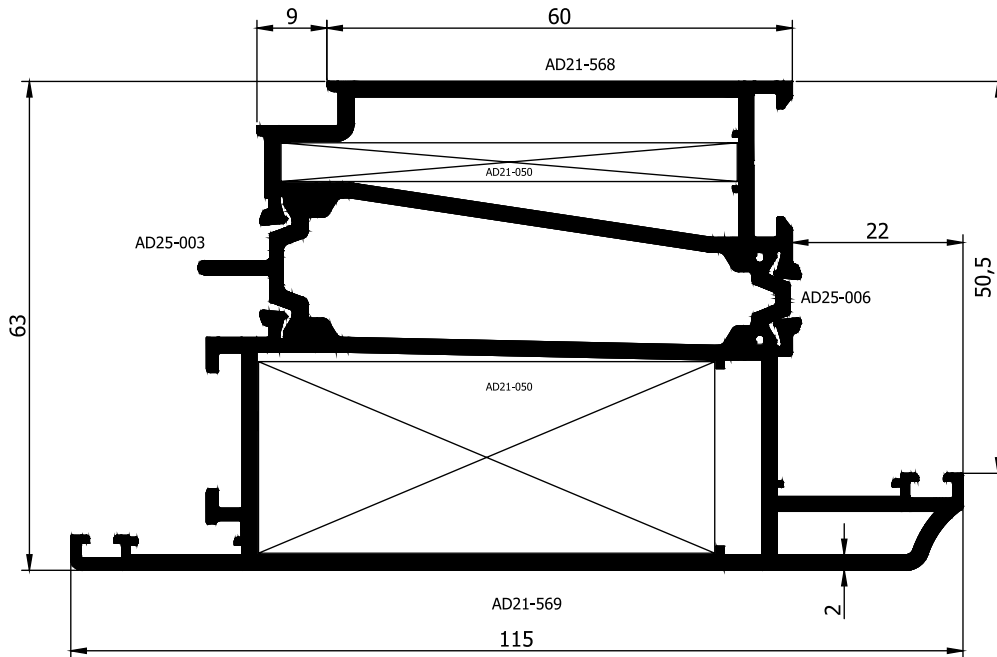
Caution: Our profile weights in the table are theoretical and our weight at the time of delivery is valid.

**AD 55 T INSULATED JOINERY SYSTEM
2 mm WING PROFILES**



AD 21 - 065 (1,422 Kg/m)

Jx : 23,95 cm⁴ Jy : 5,88 cm⁴

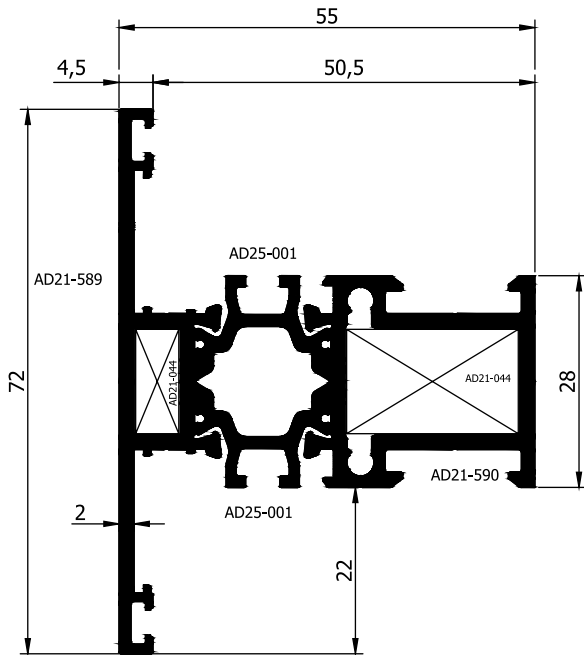


AD 21 - 054 (2,676 Kg/m)

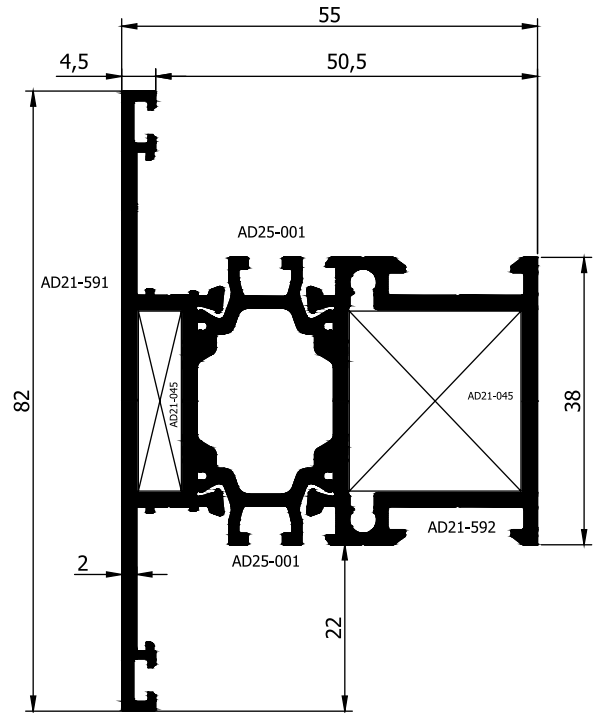
Jx : 91,27 cm⁴ Jy : 46,72 cm⁴

Caution: Our profile weights in the table are theoretical and our weight at the time of delivery is valid.

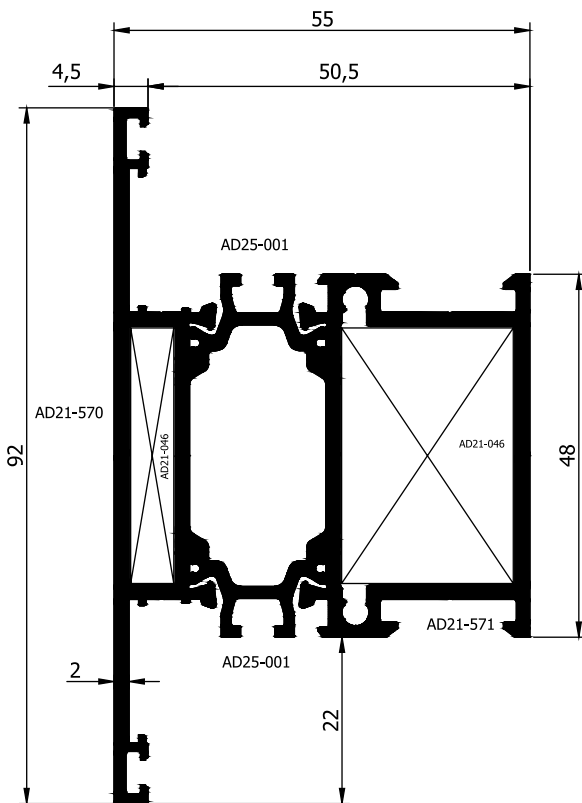
AD 55 T INSULATED JOINERY SYSTEM 2 mm CENTRAL SASH BAR PROFILES



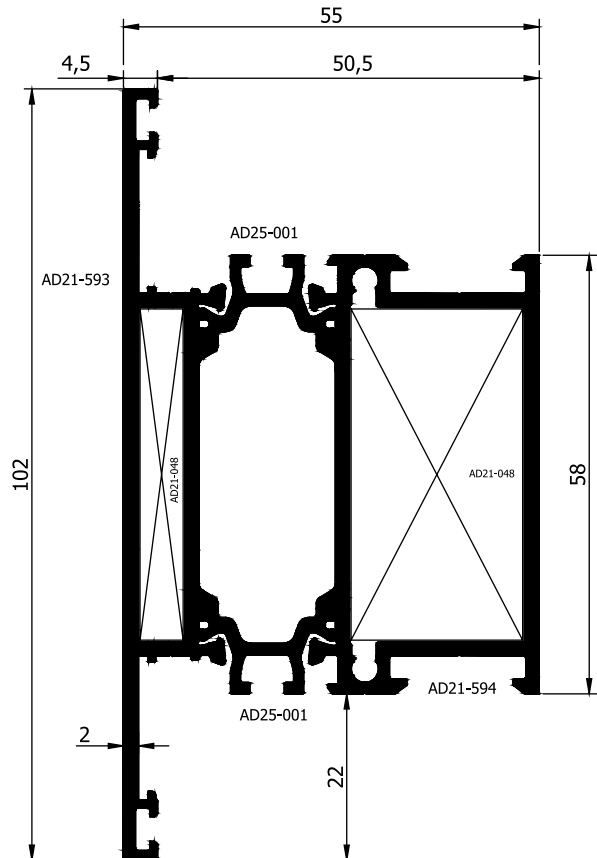
AD 21 - 066 (1,512 Kg/m)
Jx : 19,28 cm⁴ Jy : 10,86 cm⁴



AD 21 - 067 (1,724 Kg/m)
Jx : 22,63 cm⁴ Jy : 19,04 cm⁴



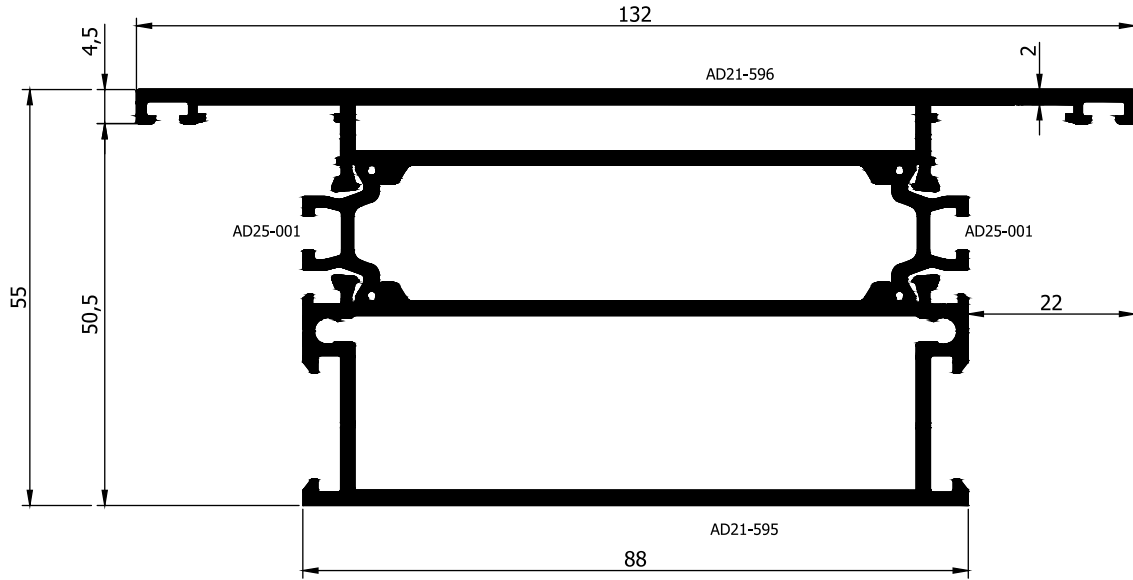
AD 21 - 055 (1,936 Kg/m)
Jx : 30,74 cm⁴ Jy : 25,99 cm⁴



AD 21 - 068 (2,146 Kg/m)
Jx : 46,31 cm⁴ Jy : 29,33 cm⁴

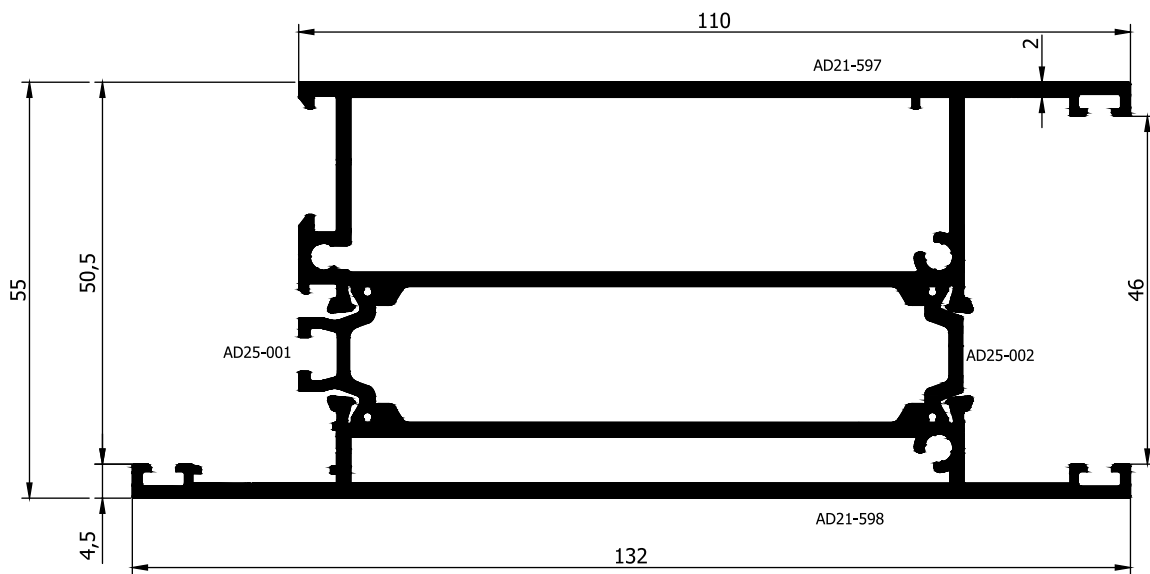
Caution: Our profile weights in the table are theoretical and our weight at the time of delivery is valid.

**AD 55 T INSULATED JOINERY SYSTEM
2 mm SILL PROFILES**



AD 21 - 069 (2,781 Kg/m)

Jx : 120,30 cm⁴ Jy : 39,35 cm⁴

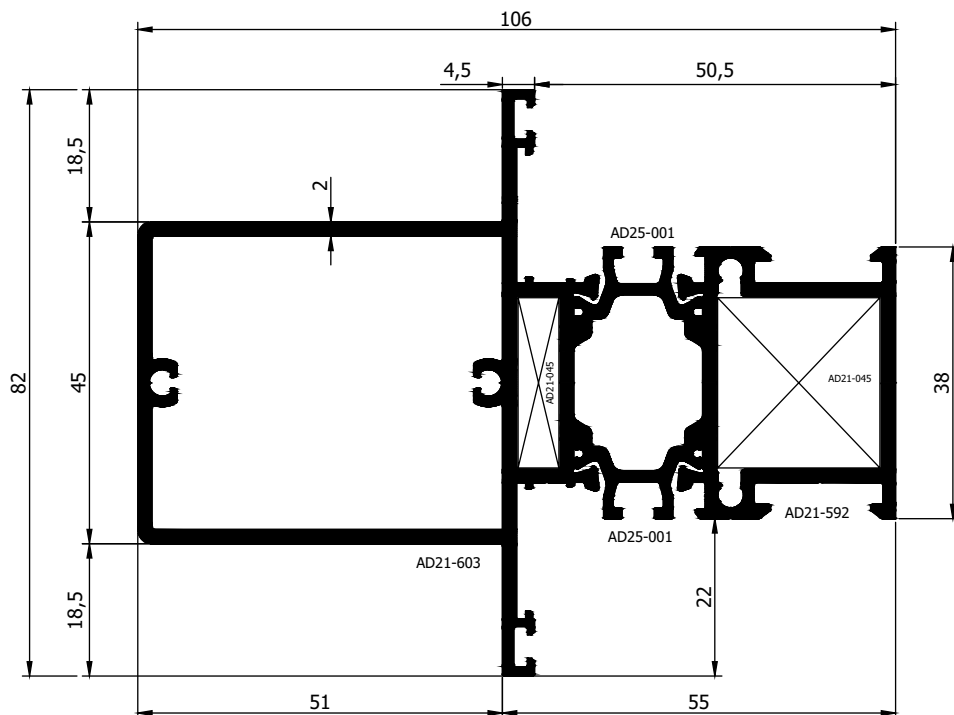


AD 21 - 070 (2,910 Kg/m)

Jx : 138,37 cm⁴ Jy : 43,53 cm⁴

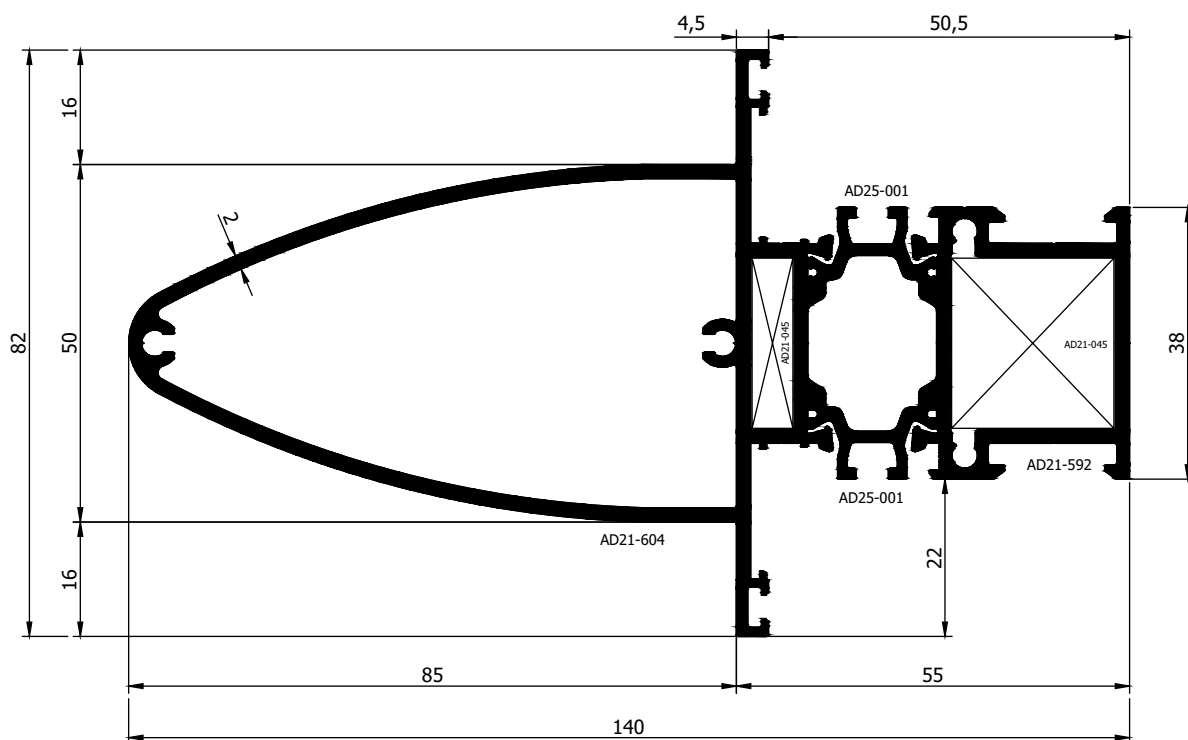
Caution: Our profile weights in the table are theoretical and our weight at the time of delivery is valid.

AD 55 T INSULATED JOINERY SYSTEM 2 mm REINFORCED CENTRAL SASH BAR PROFILES



AD 21 - 071 (2,567 Kg/m)

Jx : 92,88 cm⁴ Jy : 29,56 cm⁴

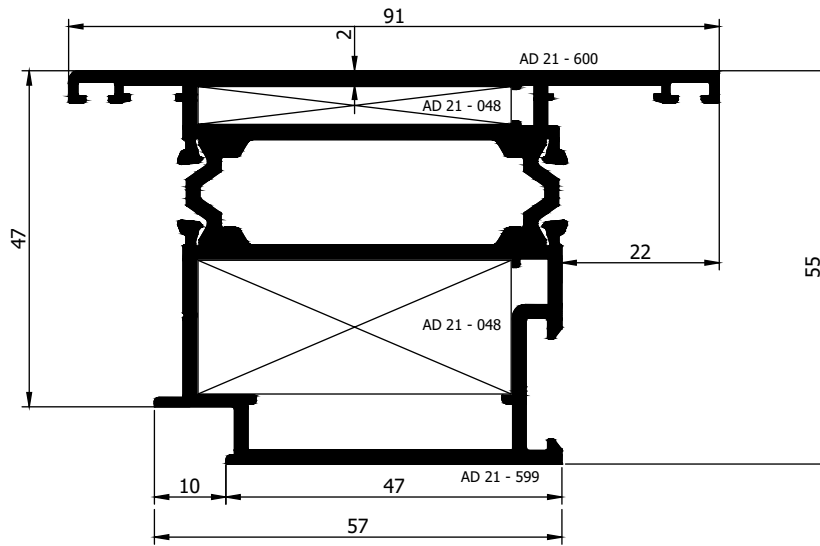


AD 21 - 072 (2,786 Kg/m)

Jx : 158,33 cm⁴ Jy : 31,66 cm⁴

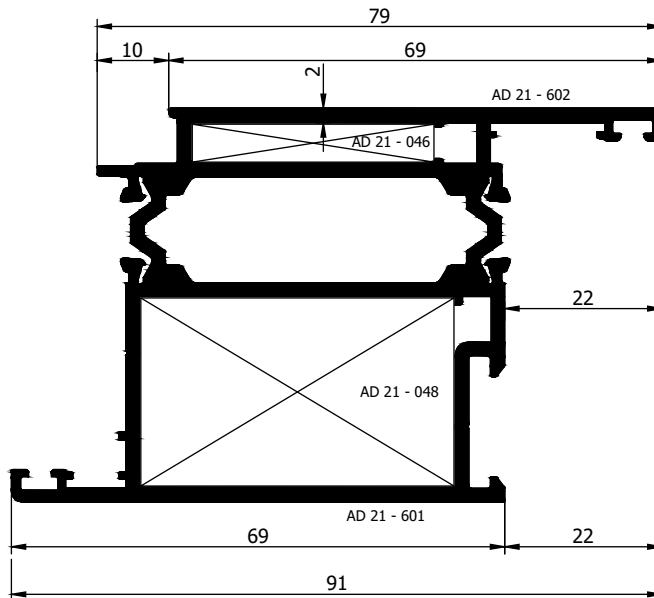
Caution: Our profile weights in the table are theoretical and our weight at the time of delivery is valid.

**AD 55 T INSULATED JOINERY SYSTEM
2 mm SAME-FACE WING PROFILES**



AD21-078 (2,020 Kg/m)

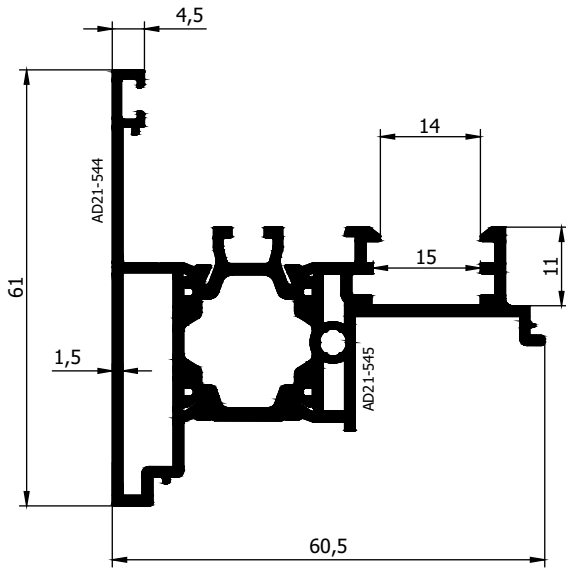
Jx : 37,54 cm⁴ Jy : 26,51 cm⁴



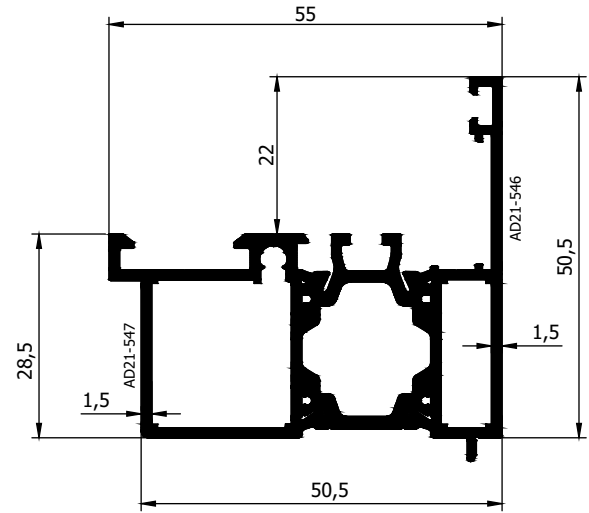
AD21-079 (1,980 Kg/m)

Jx : 42,42 cm⁴ Jy : 22,66 cm⁴

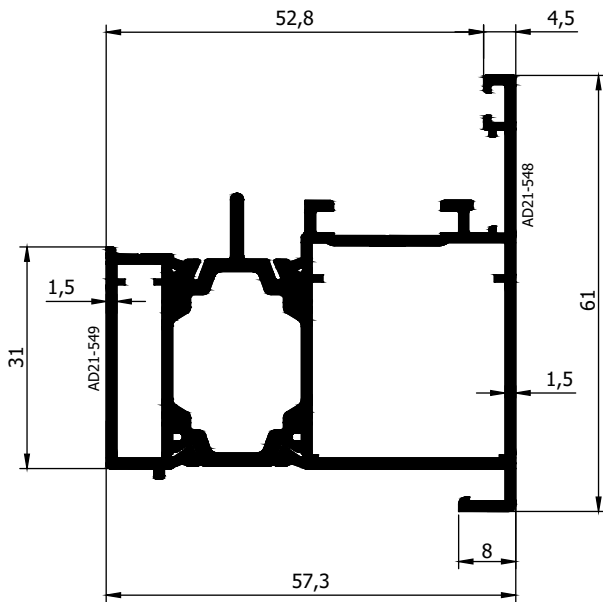
AD 55 T INSULATED JOINERY SYSTEM ADAPTOR PROFILES



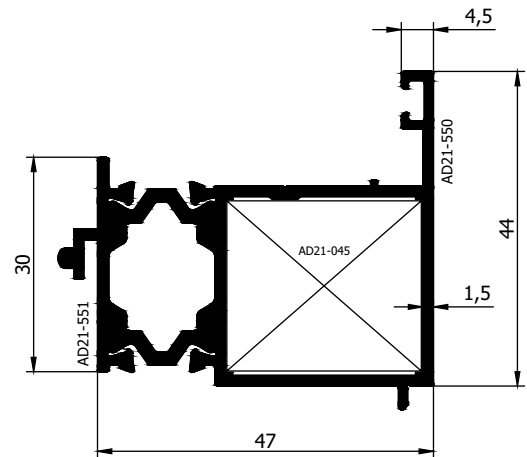
AD 21 - 025 (1,220 Kg/m)
Jx : 13,88 cm⁴ | Jy : 7,66 cm⁴



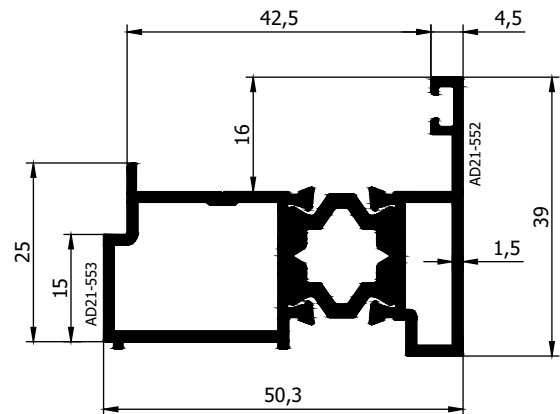
AD 21 - 026 (1,135 Kg/m)
Jx : 12,97 cm⁴ | Jy : 6,46 cm⁴



AD 21 - 027 (1,310 Kg/m)
Jx : 21,11 cm⁴ | Jy : 10,74 cm⁴

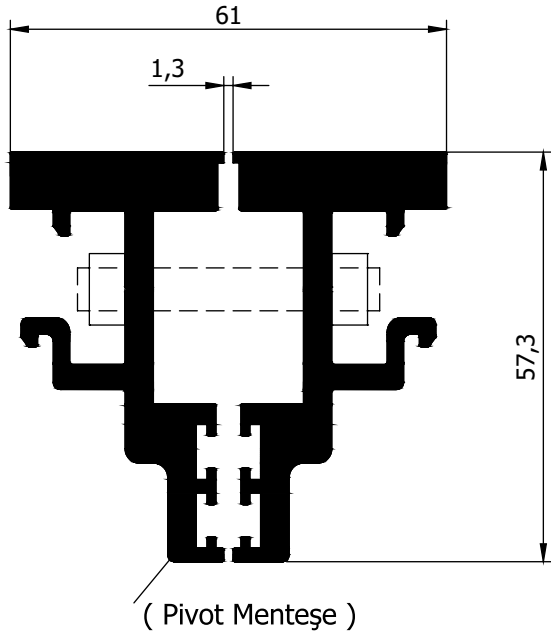


AD 21 - 028 (0,995 Kg/m)
Jx : 11,92 cm⁴ | Jy : 5,14 cm⁴

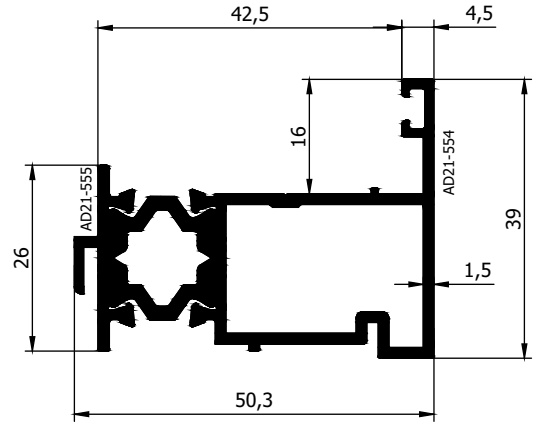


AD 21 - 029 (0,960 Kg/m)
Jx : 9,45 m⁴ | Jy : 2,95 cm⁴

AD 55 T INSULATED JOINERY SYSTEM ADAPTOR AND CORNER PROFILES

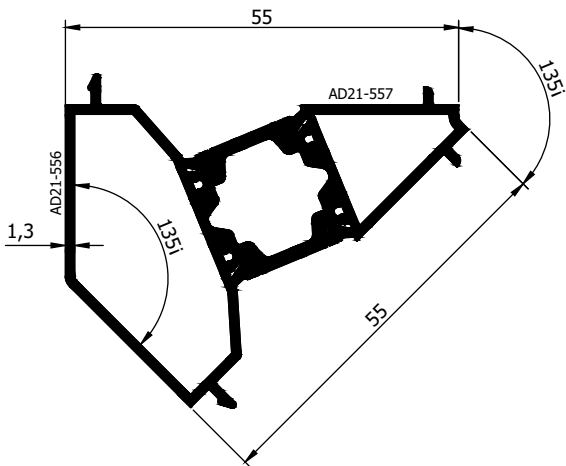


AD 21 - 049 (1,575 Kg/m)



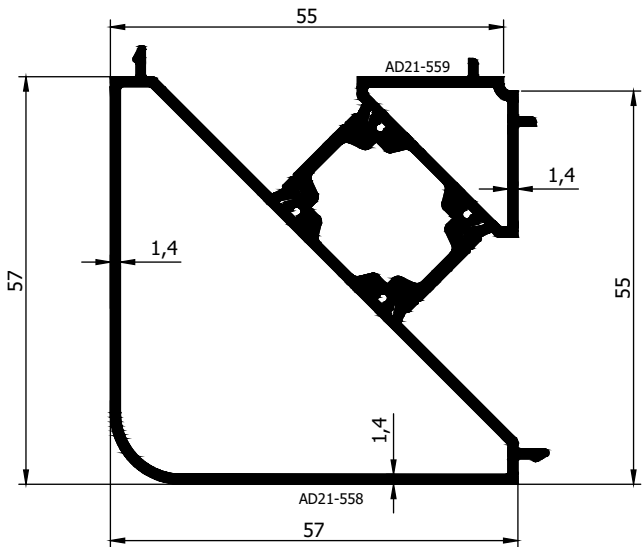
AD 21 - 030 (0,930 Kg/m)

Jx : 10,88 m⁴ | Jy : 3,00 cm⁴



AD 21 - 031 (0,900 Kg/m)

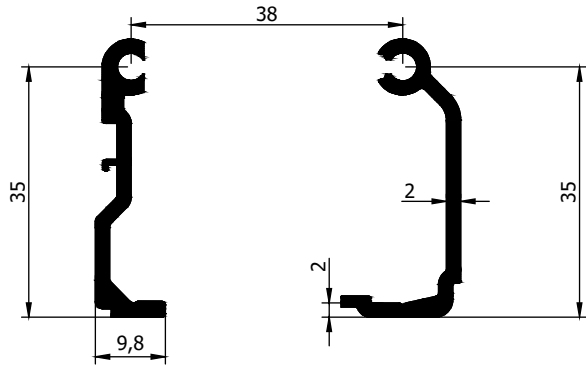
Jx : 8,97 cm⁴ | Jy : 4,14 cm⁴



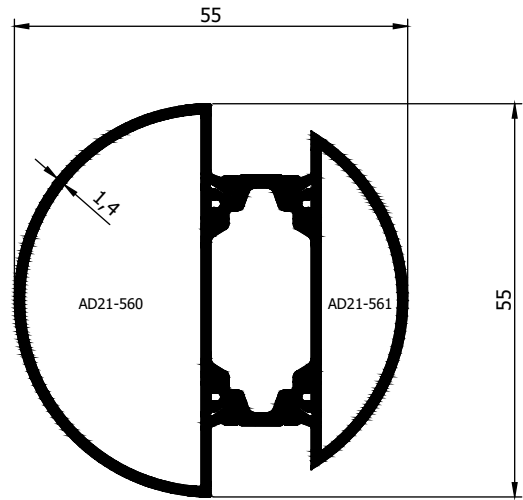
AD 21 - 032 (1,302 Kg/m)

Jx : 18,26 cm⁴ | Jy : 18,24 cm⁴

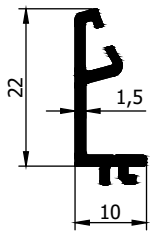
AD 55 T INSULATED JOINERY SYSTEM AUXILIARY PROFILES



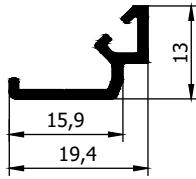
AD 21 - 042 (0,327 Kg/m) AD 21 - 043 (0,347 Kg/m)



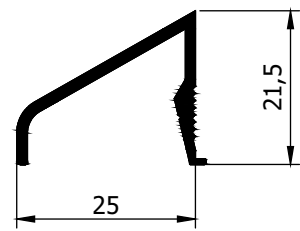
AD 21 - 039 (1,132 Kg/m)
Jx : 11,19 cm⁴ | Jy : 9,99 cm⁴



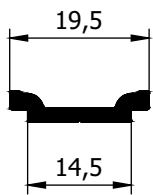
AD 21 - 040 (0,179 Kg/m)



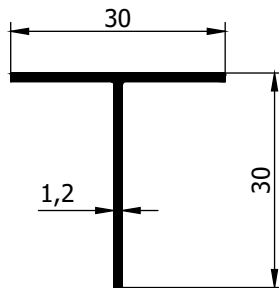
AD 21 - 041 (0,140 Kg/m)



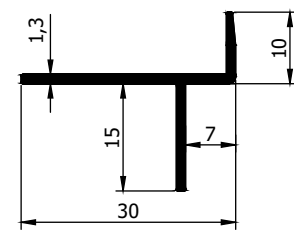
AD 20 - 037 (0,228 Kg/m)



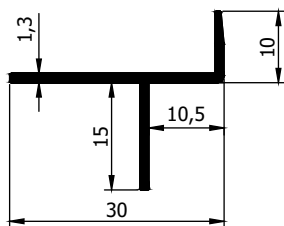
AD 20 - 038 (0,130 Kg/m)



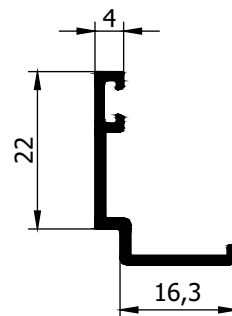
AD 02 - 004 (0,192 Kg/m)



AD 20 - 035 (0,186 Kg/m)



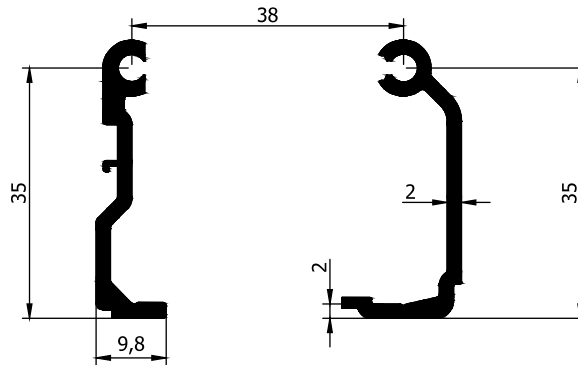
AD 20 - 036 (0,186 Kg/m)



AD 20 - 040 (0,200 Kg/m)

Caution: Our profile weights in the table are theoretical and our weight at the time of delivery is valid.

AD 55 T INSULATED JOINERY SYSTEM CENTRAL SASH BAR CONNECTION PROFILES



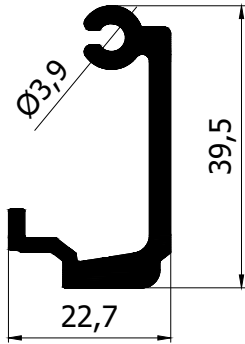
AD 21 - 042 (0,327 Kg/m)

AD 21 - 043 (0,347 Kg/m)

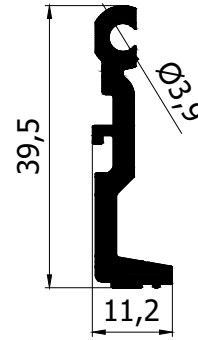
AD 21 - 042 ve AD 21 - 043 CUTTING MEASURES

Profile Used	Cutting Measure
AD 21 - 015	13,7 MM
AD 21 - 016	23,7 MM
AD 21 - 017	33,7 MM
AD 21 - 018	43,7 MM
AD 21 - 019	73,7 MM
AD 21 - 020	73,7 MM
AD 21 - 023	23,7 MM
AD 21 - 024	23,7 MM
AD 21 - 066	13,7 MM
AD 21 - 067	23,7 MM
AD 21 - 055	33,7 MM
AD 21 - 068	43,7 MM
AD 21 - 069	73,7 MM
AD 21 - 070	73,7 MM
AD 21 - 071	23,7 MM
AD 21 - 072	23,7 MM

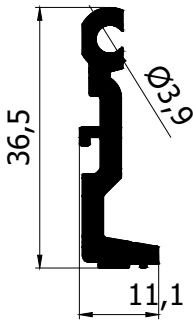
AD 55 T INSULATED JOINERY SYSTEM CENTRAL SASH BAR CONNECTION PROFILES



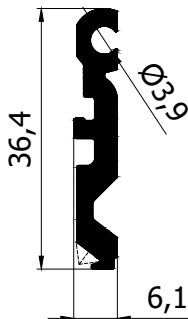
CENTRAL SASH BAR CONNECTION PROFILE
AD21-074 (0,623 Kg/m)



CENTRAL SASH BAR CONNECTION PROFILE
AD21-075 (0,444 Kg/m)



CENTRAL SASH BAR CONNECTION PROFILE
AD21-076 (0,420 Kg/m)

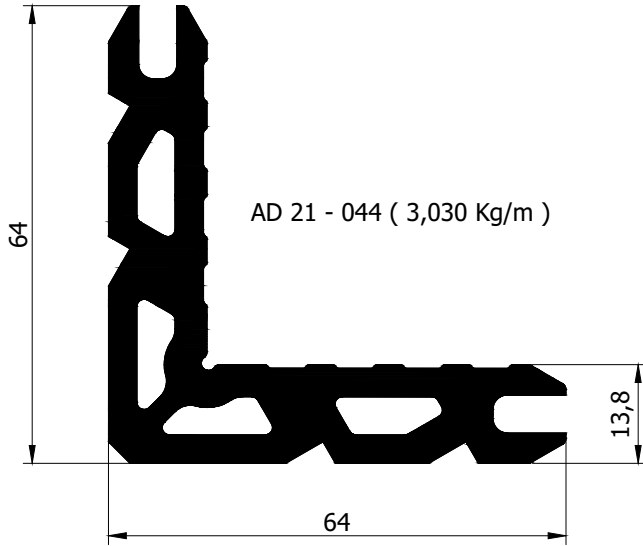


CENTRAL SASH BAR CONNECTION PROFILE (SETSCREW)
AD21-077 (0,388 Kg/m)

AD21-074, AD21-075, AD21-076, AD21-077 CUTTING MEASURES OF PROFILES

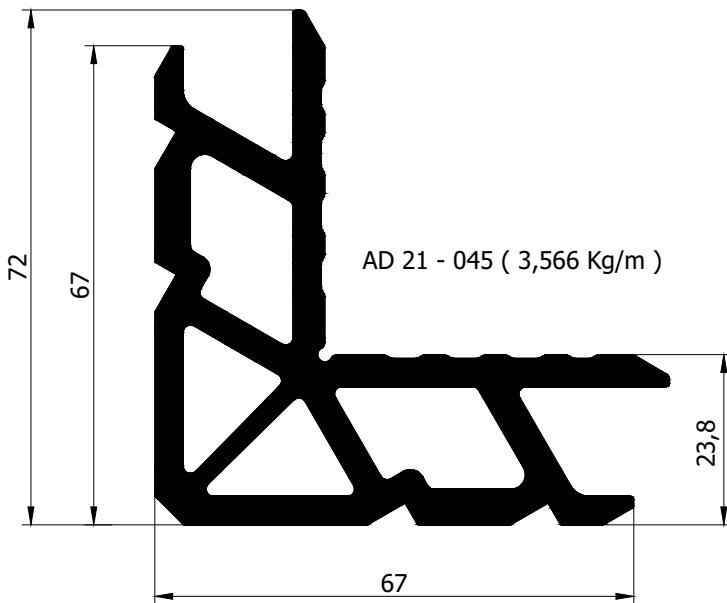
Profile Used	Cutting Measure
AD 21 - 015	13,7 MM
AD 21 - 016	23,7 MM
AD 21 - 017	33,7 MM
AD 21 - 018	43,7 MM
AD 21 - 019	73,7 MM
AD 21 - 020	73,7 MM
AD 21 - 023	23,7 MM
AD 21 - 024	23,7 MM
AD 21 - 066	13,7 MM
AD 21 - 067	23,7 MM
AD 21 - 055	33,7 MM
AD 21 - 068	43,7 MM
AD 21 - 069	73,7 MM
AD 21 - 070	73,7 MM
AD 21 - 071	23,7 MM
AD 21 - 072	23,7 MM

AD 55 T INSULATED JOINERY SYSTEM ANGLE BLOCK PROFILES



AD 21 - 044 (3,030 Kg/m)

Profile Used	Exterior Section Cutting Measure	Interior Section Cutting Measure
AD 21 - 001 AD 21 - 005 AD 21 - 015	6,5 mm	23,5 mm
AD 21 - 007	5,9 mm	26,5 mm
AD 21 - 013	3,5 mm	26,5 mm
AD 21 - 056 AD 21 - 059 AD 21 - 066	5,7 mm	22,7 mm
AD 21 - 061	5 mm	25,7 mm
AD 21 - 065	2,7 mm	25,7 mm

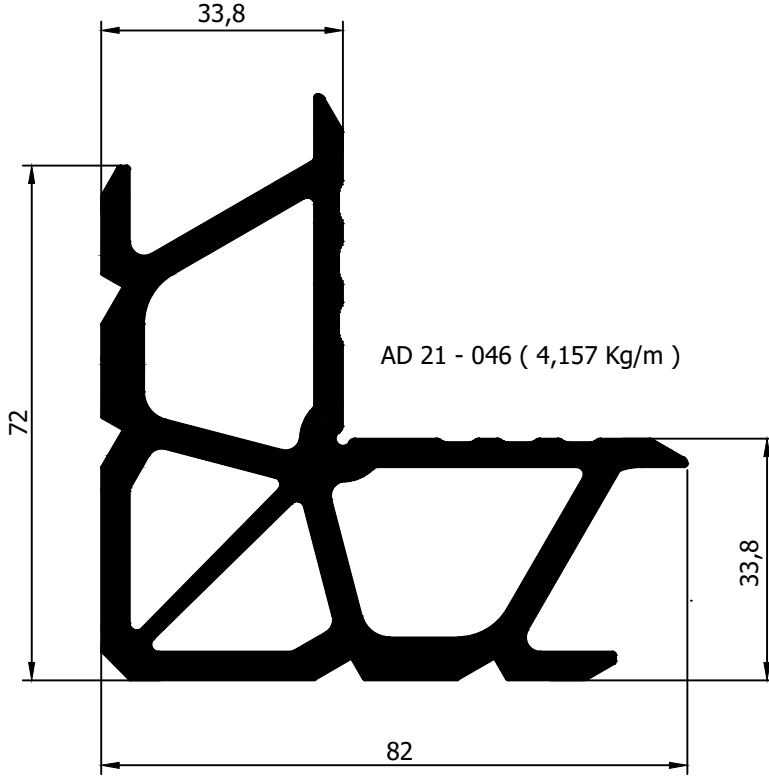


AD 21 - 045 (3,566 Kg/m)

Profile Used	Exterior Section Cutting Measure	Interior Section Cutting Measure
AD 21 - 002 AD 21 - 006 AD 21 - 016 AD 21 - 023 AD 21 - 024	6,5 mm	23,5 mm
AD 21 - 008 AD 21 - 009	5,8 mm 5,9 mm	26,5 mm Farklı
AD 21 - 027		26,5 mm
AD 21 - 028		27 mm
AD 21 - 057 AD 21 - 060 AD 21 - 067 AD 21 - 071 AD 21 - 072	5,7 mm	22,7 mm
AD 21 - 052 AD 21 - 062	5 mm	25,7 mm DIFFERENT

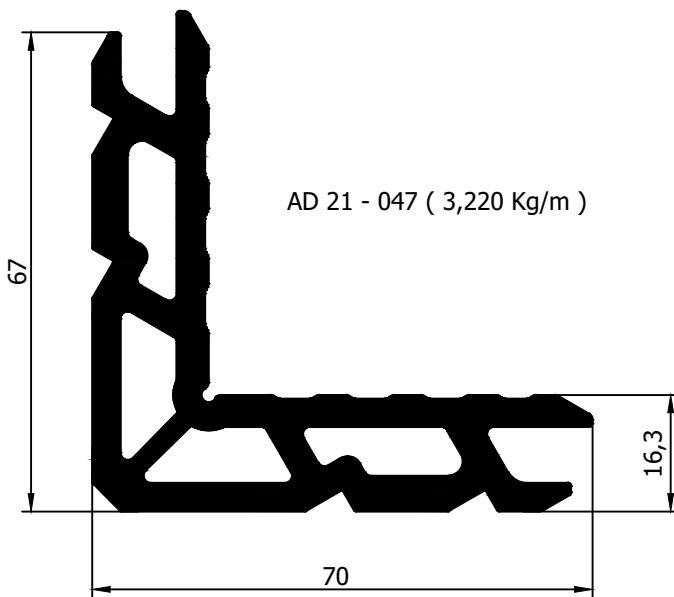
AD 55 T INSULATED JOINERY SYSTEM ANGLE BLOCK PROFILES

AD 21 - 046 (4,157 Kg/m)



Profile Used	Exterior Section Cutting Measure	Interior Section Cutting Measure
AD 21 - 003 AD 21 - 017	6,5 mm	23,5 mm
AD 21 - 010	5,8 mm	26,5 mm
AD 21 - 051 AD 21 - 055	5,7 mm	22,7 mm
AD 21 - 063	5 mm	25,7 mm
AD 21 - 079	5,3 mm	FARKLI
AD 21 - 088	21,5 mm	23,5 mm
AD 21 - 089	25,5 mm	DIFFERENT

AD 21 - 047 (3,220 Kg/m)



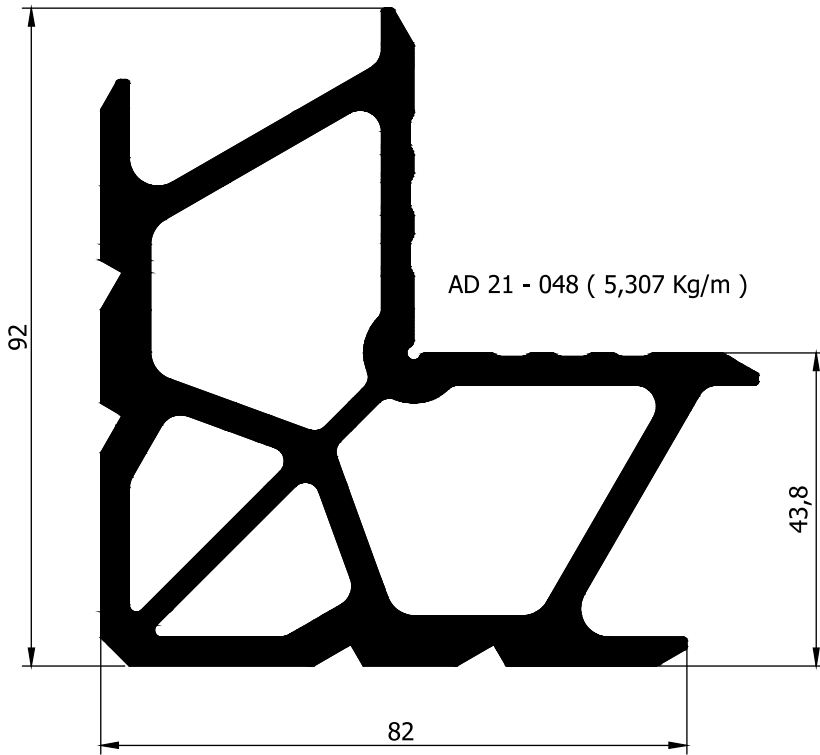
Profile Used	Cutting Measure
AD 21 - 009	26.5 mm
AD 21 - 062	25,7 mm

Caution: Our profile weights in the table are theoretical and our weight at the time of delivery is valid.

AD 55 T INSULATED JOINERY SYSTEM ANGLE BLOCK PROFILES

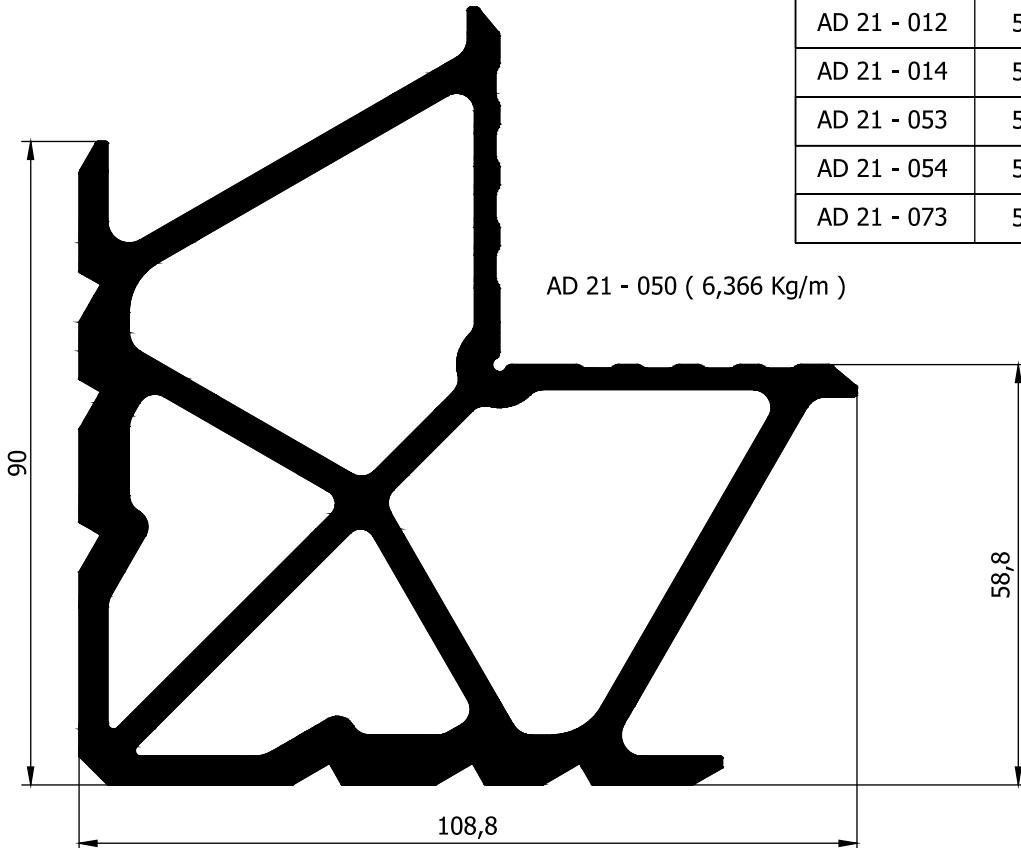
AD 21 - 048 (5,307 Kg/m)

Profile Used	Exterior Section Cutting Measure	Interior Section Cutting Measure
AD 21 - 004 AD 21 - 018	6,5 mm	23,5 mm
AD 21 - 021	6 mm	19 mm
AD 21 - 022	6 mm	27 mm
AD 21 - 011	5,8 mm	26,5 mm
AD 21 - 058 AD 21 - 068	5,7 mm	22,7 mm
AD 21 - 064	5 mm	25,7 mm
AD 21 - 073	DIFFERENT	26,5 mm
AD 21 - 078	5,3 mm	18,7 mm
AD 21 - 079	DIFFERENT	26,3 mm



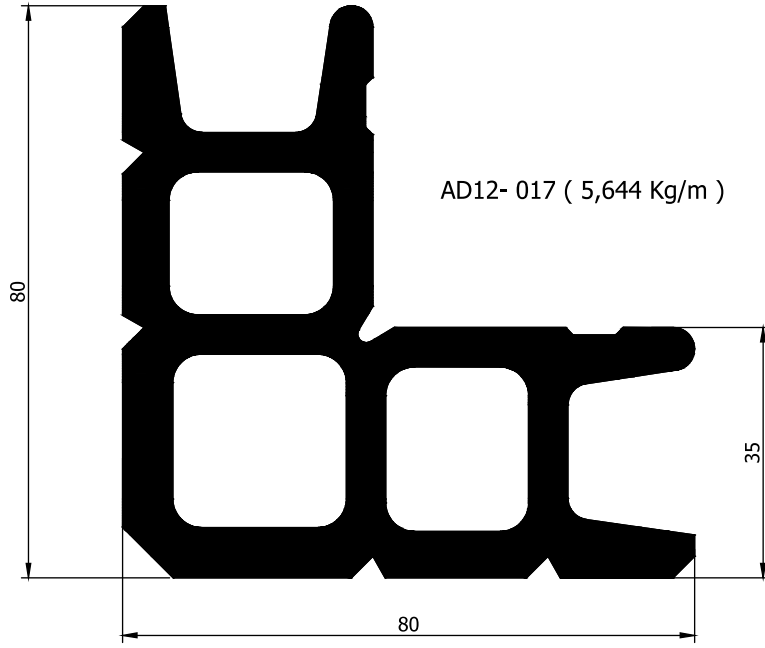
AD 21 - 050 (6,366 Kg/m)

Profile Used	Exterior Section Cutting Measure	Interior Section Cutting Measure
AD 21 - 012	5,8 mm	26,5 mm
AD 21 - 014	5,8 mm	25,5 mm
AD 21 - 053	5 mm	25,7 mm
AD 21 - 054	5 mm	24,7 mm
AD 21 - 073	5,8 mm	DIFFERENT



Caution: Our profile weights in the table are theoretical and our weight at the time of delivery is valid.

AD 55 T INSULATED JOINERY SYSTEM ANGLE BLOCK PROFILES

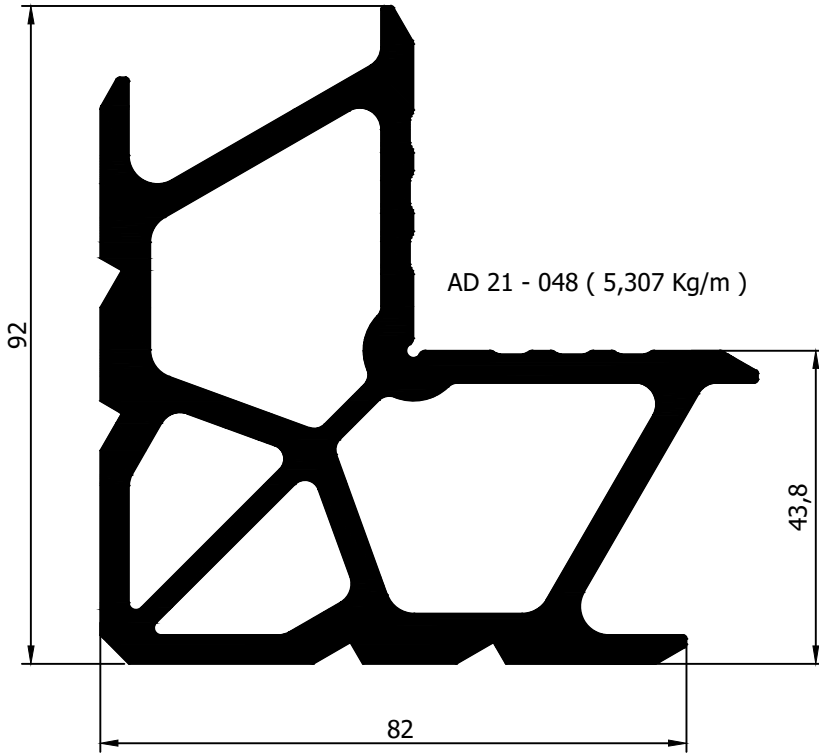


AD12- 017 (5,644 Kg/m)

Profile Used	Cutting Measure
AD21-089	5,9 mm

Caution: Our profile weights in the table are theoretical and our weight at the time of delivery is valid.

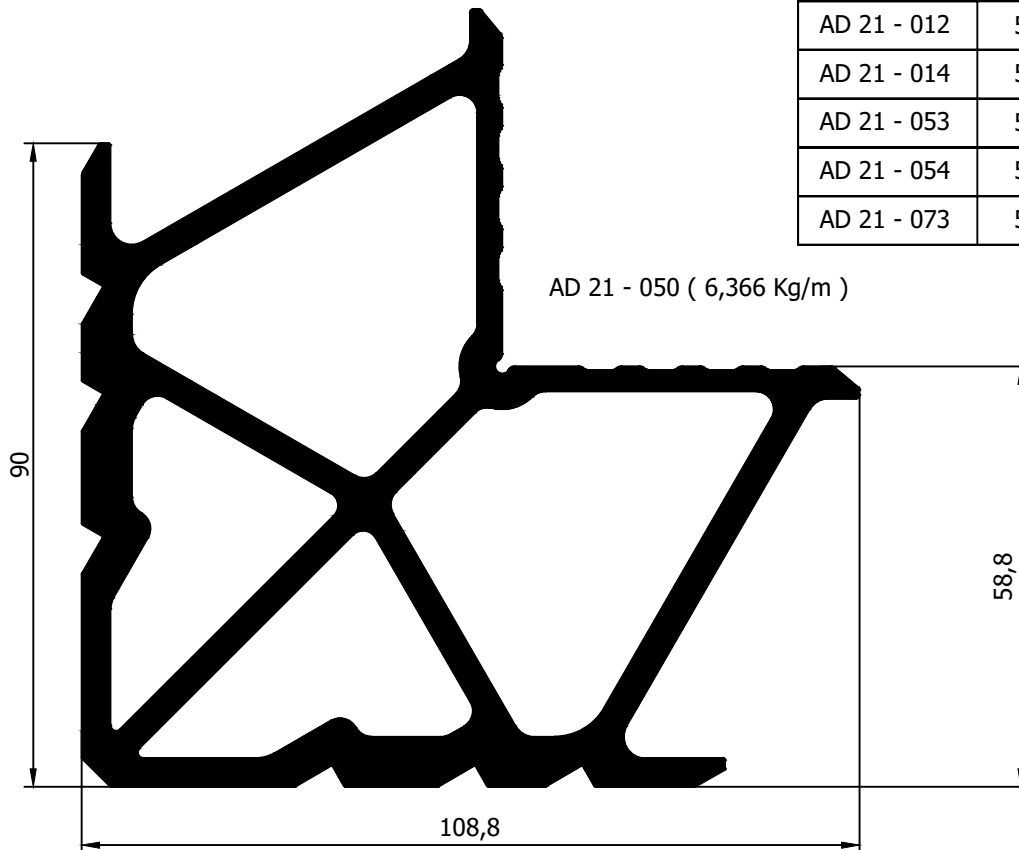
AD 55 T INSULATED JOINERY SYSTEM ANGLE BLOCK PROFILES



AD 21 - 048 (5,307 Kg/m)

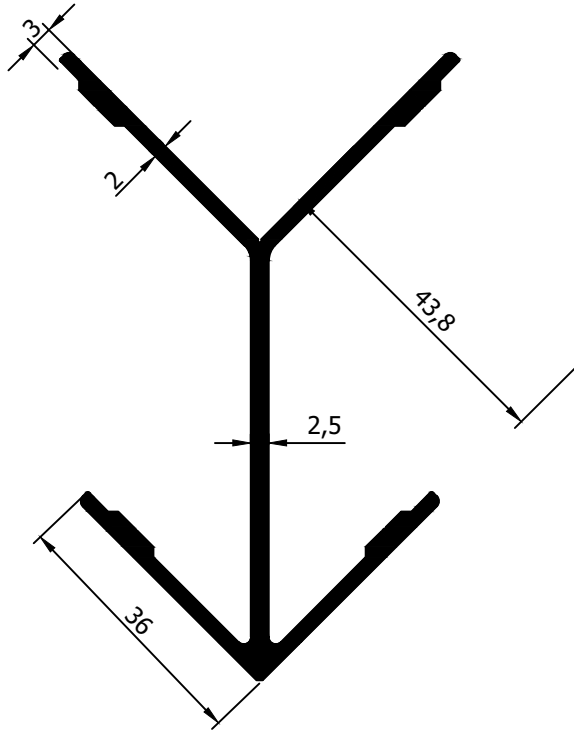
Profile Used	Exterior Section Cutting Measure	Interior Section Cutting Measure
AD 21 - 004 AD 21 - 018	6,5 mm	23,5 mm
AD 21 - 021	6 mm	19 mm
AD 21 - 022	6 mm	27 mm
AD 21 - 011	5,8 mm	26,5 mm
AD 21 - 058 AD 21 - 068	5,7 mm	22,7 mm
AD 21 - 064	5 mm	25,7 mm
AD 21 - 073	DIFFERENT	26,5 mm
AD 21 - 078	5,3 mm	18,7 mm
AD 21 - 079	DIFFERENT	26,3 mm

AD 21 - 050 (6,366 Kg/m)



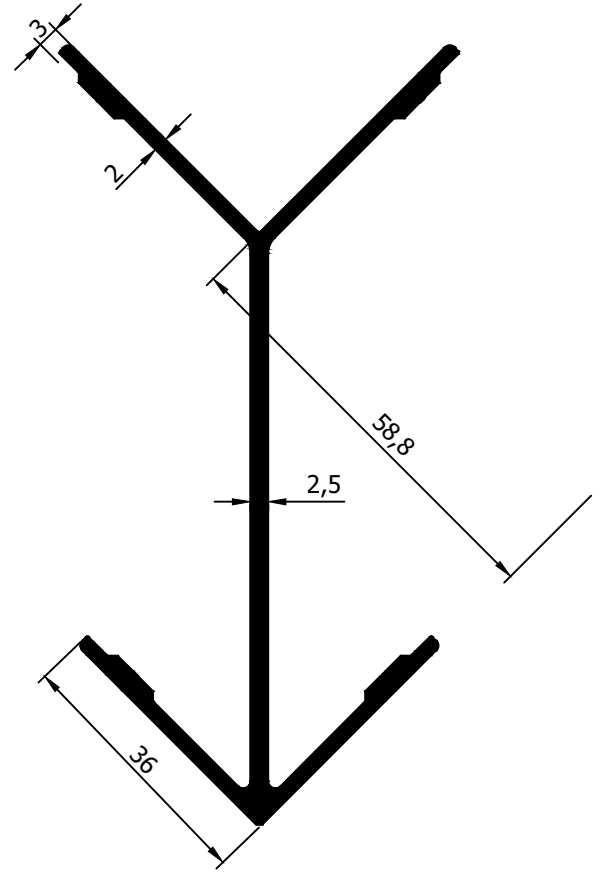
Profile Used	Exterior Section Cutting Measure	Interior Section Cutting Measure
AD 21 - 012	5,8 mm	26,5 mm
AD 21 - 014	5,8 mm	25,5 mm
AD 21 - 053	5 mm	25,7 mm
AD 21 - 054	5 mm	24,7 mm
AD 21 - 073	5,8 mm	DIFFERENT

AD 55 T INSULATED JOINERY SYSTEM SCREWED ANGLE BLOCK PROFILES



AD 20 - 050 (1,271 Kg/m)

Profile Used	Exterior Section Cutting Measure	Interior Section Cutting Measure
AD 21 - 004 AD 21 - 018	6,5 mm	23,5 mm
AD 21 - 021	6 mm	19 mm
AD 21 - 022	6 mm	27 mm
AD 21 - 011	5,8 mm	26,5 mm
AD 21 - 058 AD 21 - 068	5,7 mm	22,7 mm
AD 21 - 064	5 mm	25,7 mm
AD 21 - 073	FARKLI	26,5 mm
AD 21 - 078	5,3 mm	18,7 mm
AD 21 - 079	FARKLI	26,3 mm

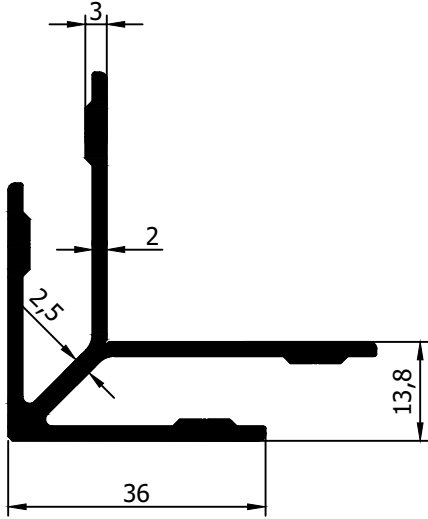


AD 20 - 051 (1,415 Kg/m)

Profile Used	Exterior Section Cutting Measure	Interior Section Cutting Measure
AD 21 - 012	5,8 mm	26,5 mm
AD 21 - 014	5,8 mm	25,5 mm
AD 21 - 053	5 mm	25,7 mm
AD 21 - 054	5 mm	24,7 mm
AD 21 - 073	5,8 mm	DIFFERENT

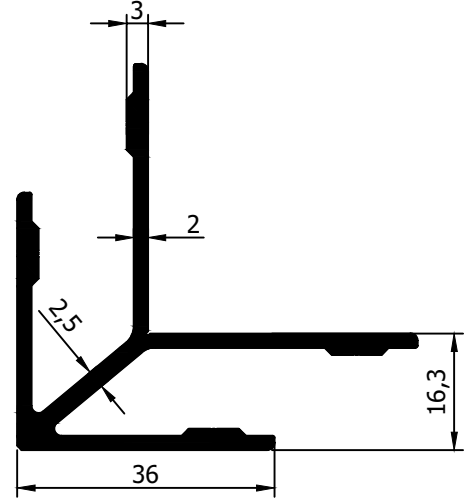
Caution: Our profile weights in the table are theoretical and our weight at the time of delivery is valid.

AD 55 T INSULATED JOINERY SYSTEM SCREWED ANGLE BLOCK PROFILES



AD 20 - 052 (0,984 Kg/m)

Profile Used	Exterior Section Cutting Measure	Interior Section Cutting Measure
AD 21 - 001 AD 21 - 005 AD 21 - 015	6,5 mm	23,5 mm
AD 21 - 007	5,9 mm	26,5 mm
AD 21 - 013	3,5 mm	26,5 mm
AD 21 - 056 AD 21 - 059 AD 21 - 066	5,7 mm	22,7 mm
AD 21 - 061	5 mm	25,7 mm
AD 21 - 065	2,7 mm	25,7 mm

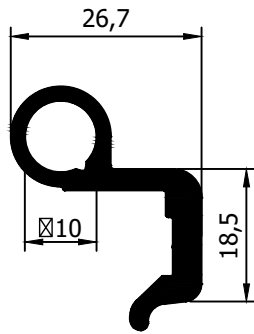


AD 20 - 053 (1,016 Kg/m)

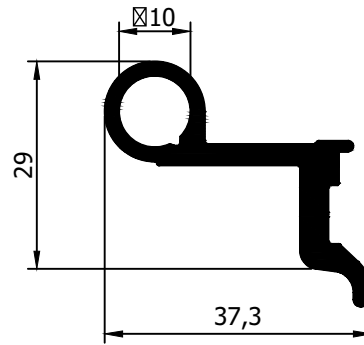
Profile Used	Cutting Measure
AD 21 - 009	26.5 mm
AD 21 - 062	25,7 mm

Caution: Our profile weights in the table are theoretical and our weight at the time of delivery is valid.

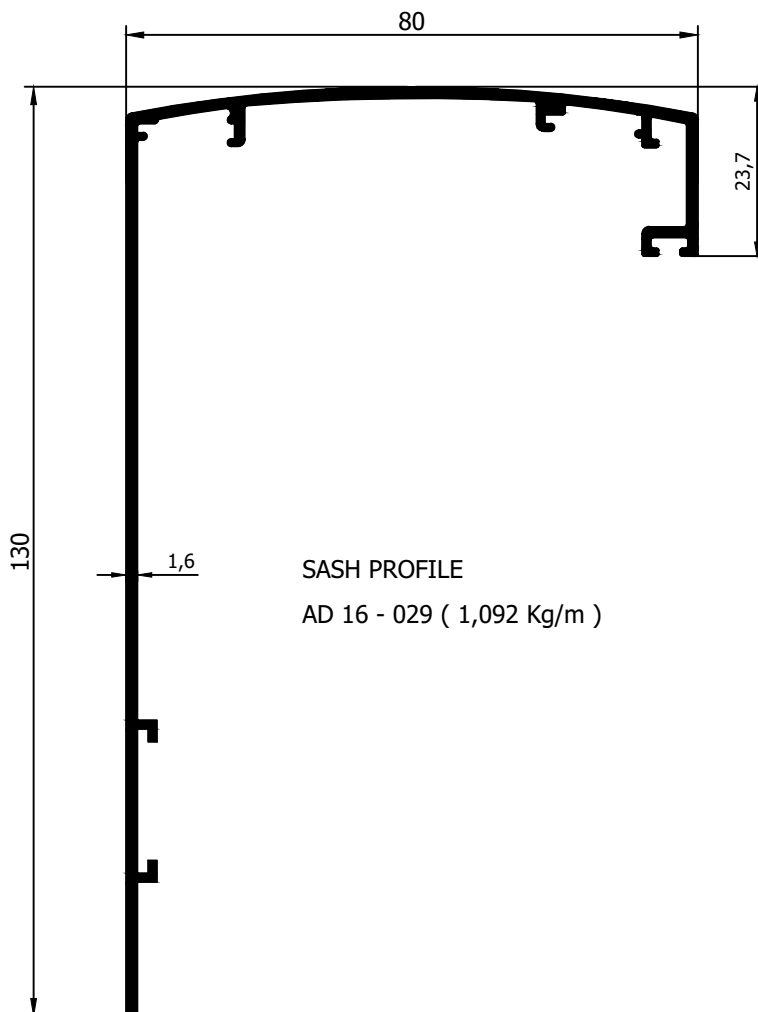
AD 55 T INSULATED JOINERY SYSTEM HINGE PROFILES



FRAME HINGE
AD21-080 (0,575 Kg/m)



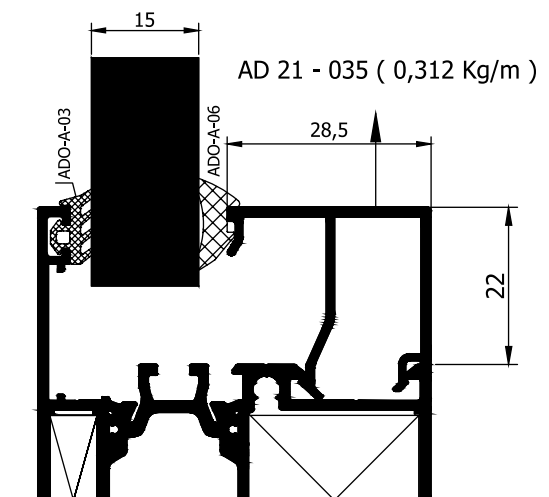
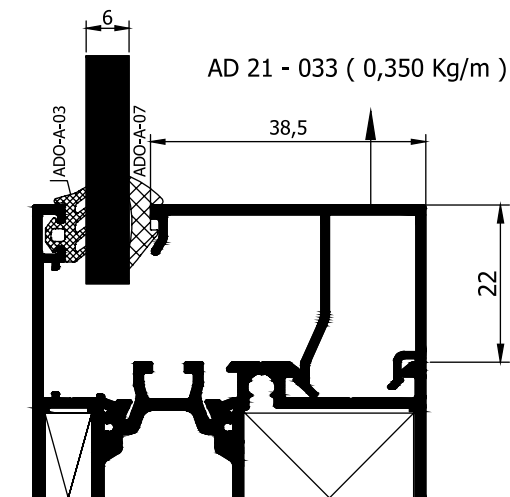
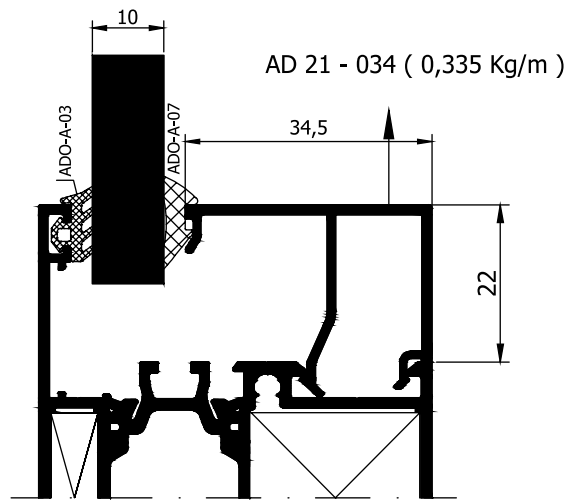
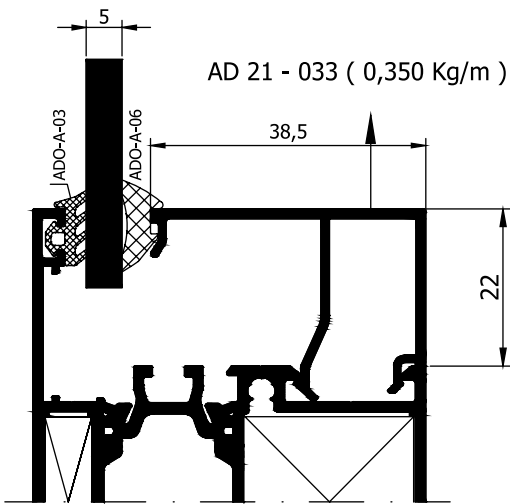
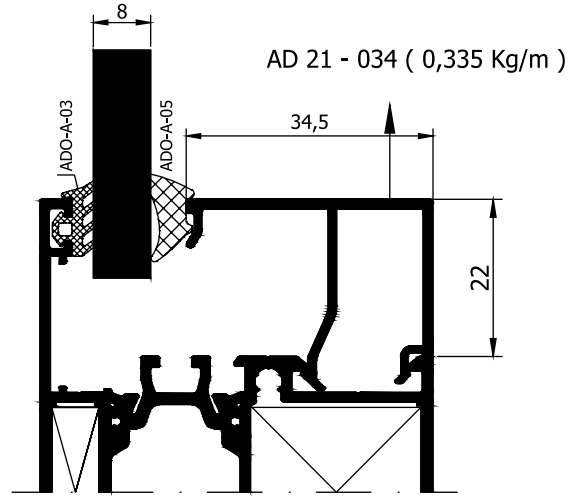
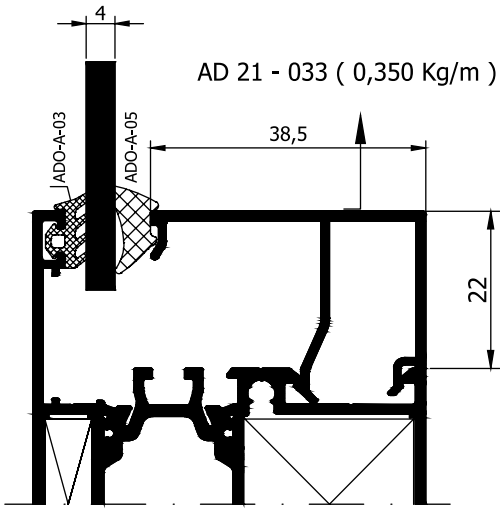
WING HINGE AD21-081
(0,640 Kg/m)



SASH PROFILE
AD 16 - 029 (1,092 Kg/m)

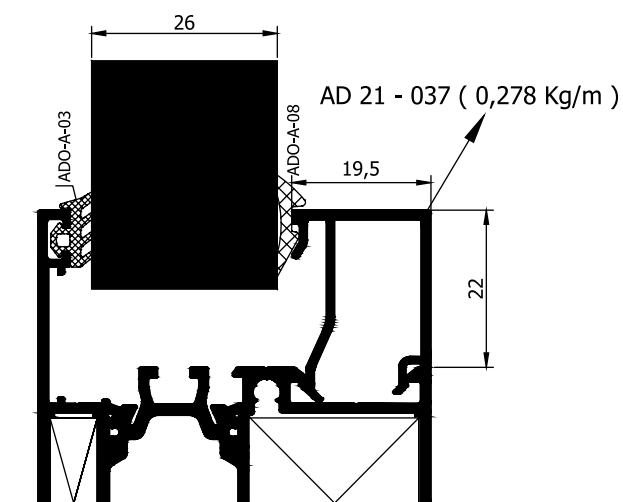
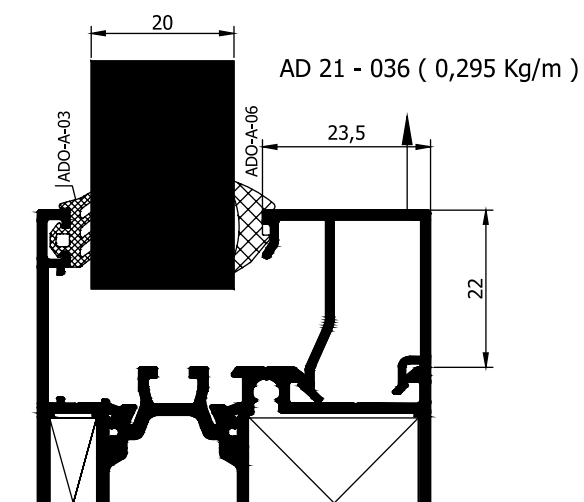
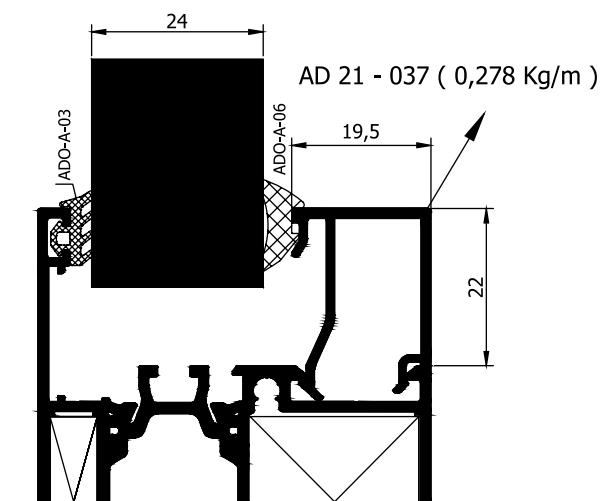
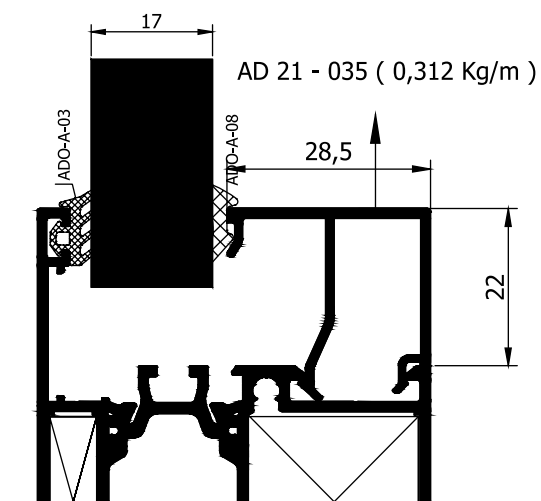
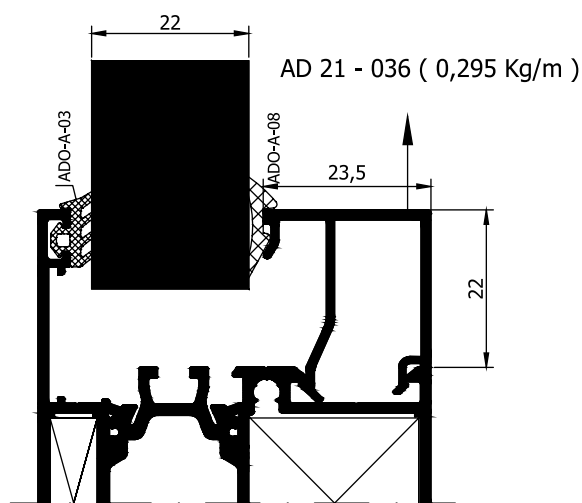
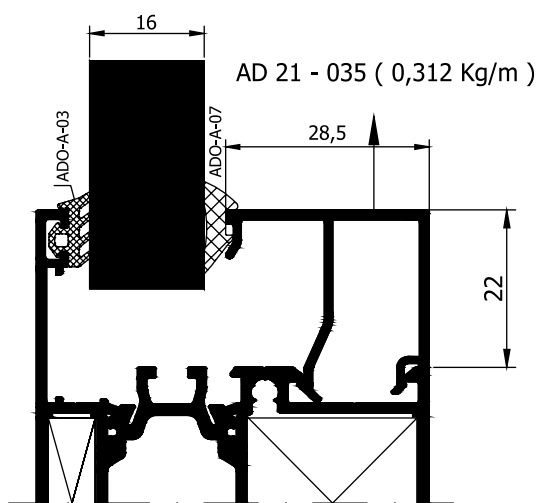
Caution: Our profile weights in the table are theoretical and our weight at the time of delivery is valid.

AD 55 T INSULATED JOINERY SYSTEM GLAZING BEAD PROFILES AND GLASS COMBINATION



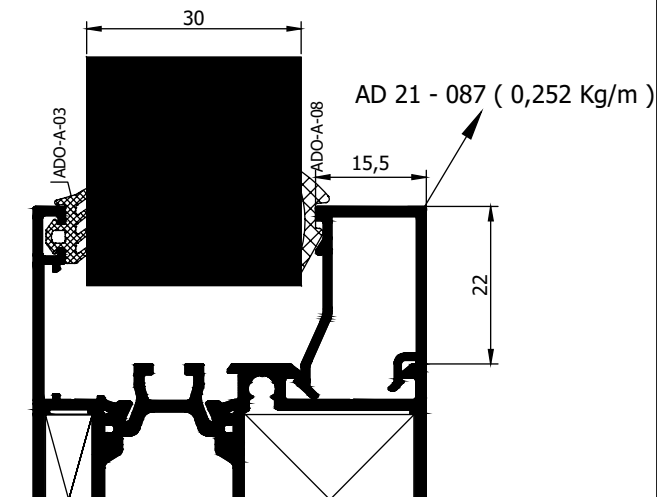
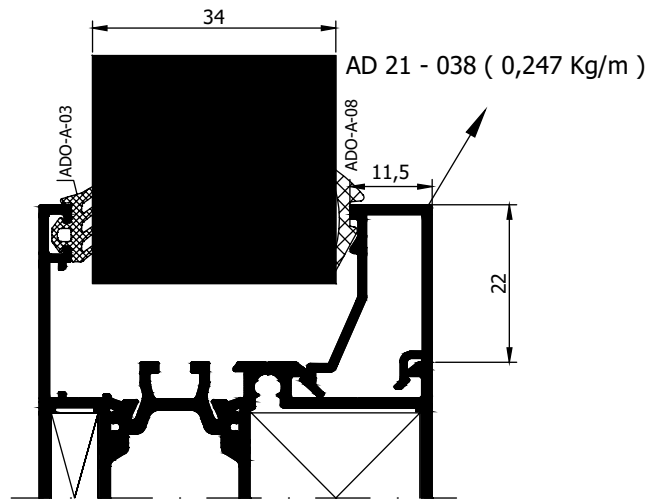
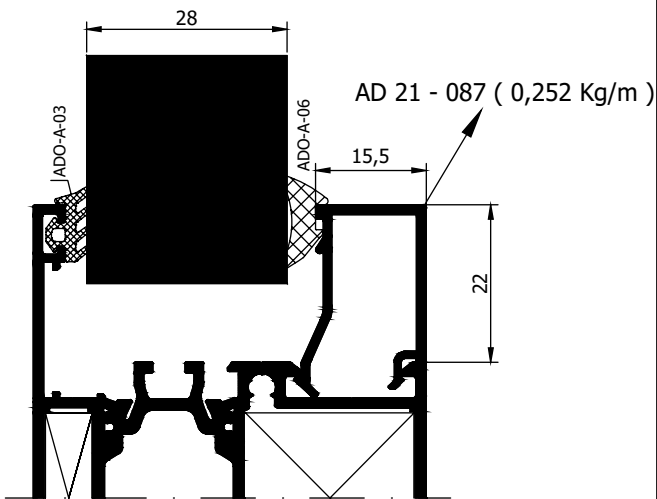
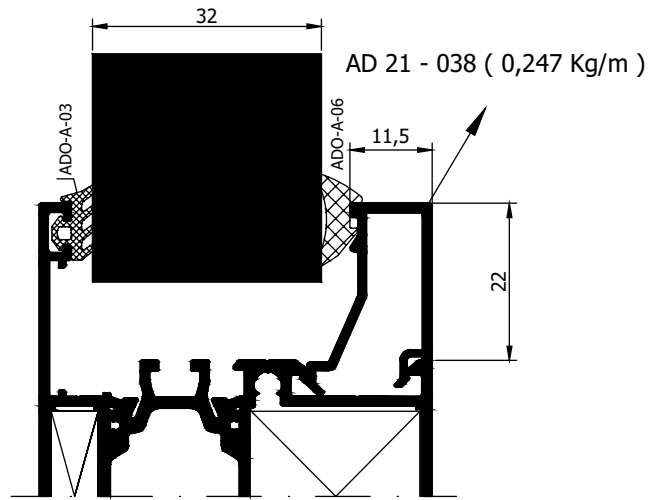
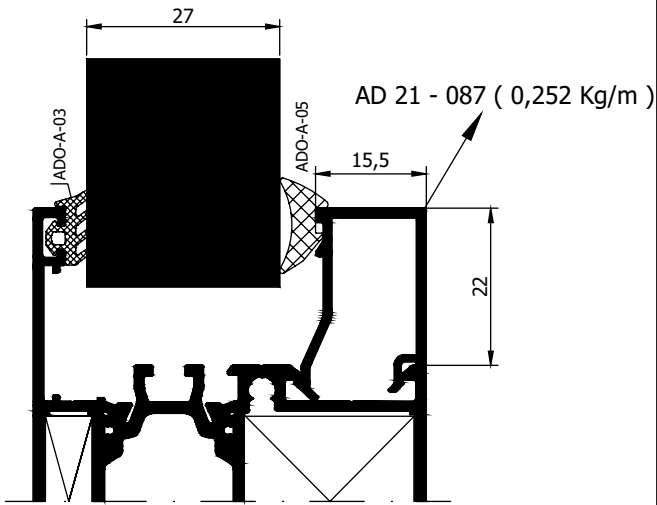
Caution: Our profile weights in the table are theoretical and our weight at the time of delivery is valid.

AD 55 T INSULATED JOINERY SYSTEM GLAZING BEAD PROFILES AND GLASS COMBINATION




Caution: Our profile weights in the table are theoretical and our weight at the time of delivery is valid.

AD 55 T INSULATED JOINERY SYSTEM GLAZING BEAD PROFILES AND GLASS COMBINATION



Caution: Our profile weights in the table are theoretical and our weight at the time of delivery is valid.

AD 55 T INSULATED JOINERY SYSTEM

	800 mm	1000 mm	1200 mm	1400 mm	1500 mm	1800 mm	2000 mm	2200 mm	2400 mm	2600 mm	2800 mm	3000 mm
	AD21-015	9,17	10,62	11,72	12,55	13,18	13,65	14,02	14,31	14,54	14,73	14,88
AD21-016	10,23	11,91	13,23	14,24	15,02	15,61	16,08	16,45	16,75	16,98	17,18	17,34
AD21-017	11,22	13,14	14,68	15,88	16,81	17,54	18,11	18,57	18,94	19,24	19,48	19,69
AD21-018	12,52	14,76	16,60	18,08	19,24	20,16	20,90	21,49	21,96	22,36	22,68	22,95
AD21-019	15,54	18,48	21,04	23,19	24,95	26,40	27,57	28,54	29,34	30,00	30,55	31,01
AD21-023	46,17	52,64	58,30	63,06	66,99	70,22	72,85	75,02	76,80	78,28	79,52	80,57
AD21-024	86,23	96,58	106,01	114,24	121,25	127,13	132,05	136,16	139,61	142,50	144,94	147,02
AD21-055	12,73	15,09	17,06	18,64	19,90	20,91	21,71	22,36	22,88	23,32	23,67	23,97
AD21-066	10,33	12,12	13,53	14,62	15,46	16,10	16,61	17,01	17,34	17,60	17,81	17,99
AD21-067	11,58	13,66	15,35	16,69	17,74	18,56	19,21	19,73	20,15	20,49	20,77	21,01
AD21-068	13,82	16,43	18,66	20,48	21,96	23,16	24,12	24,90	25,54	26,07	26,50	26,87
AD21-069	16,80	20,06	22,99	25,51	27,63	29,40	30,87	32,08	33,09	33,94	34,65	35,26
AD21-071	53,92	61,63	68,64	74,75	79,95	84,32	87,96	91,00	93,55	95,69	97,49	99,03
AD21-072	101,02	113,11	124,57	134,93	144,02	151,87	158,59	164,30	169,16	173,30	176,84	179,88

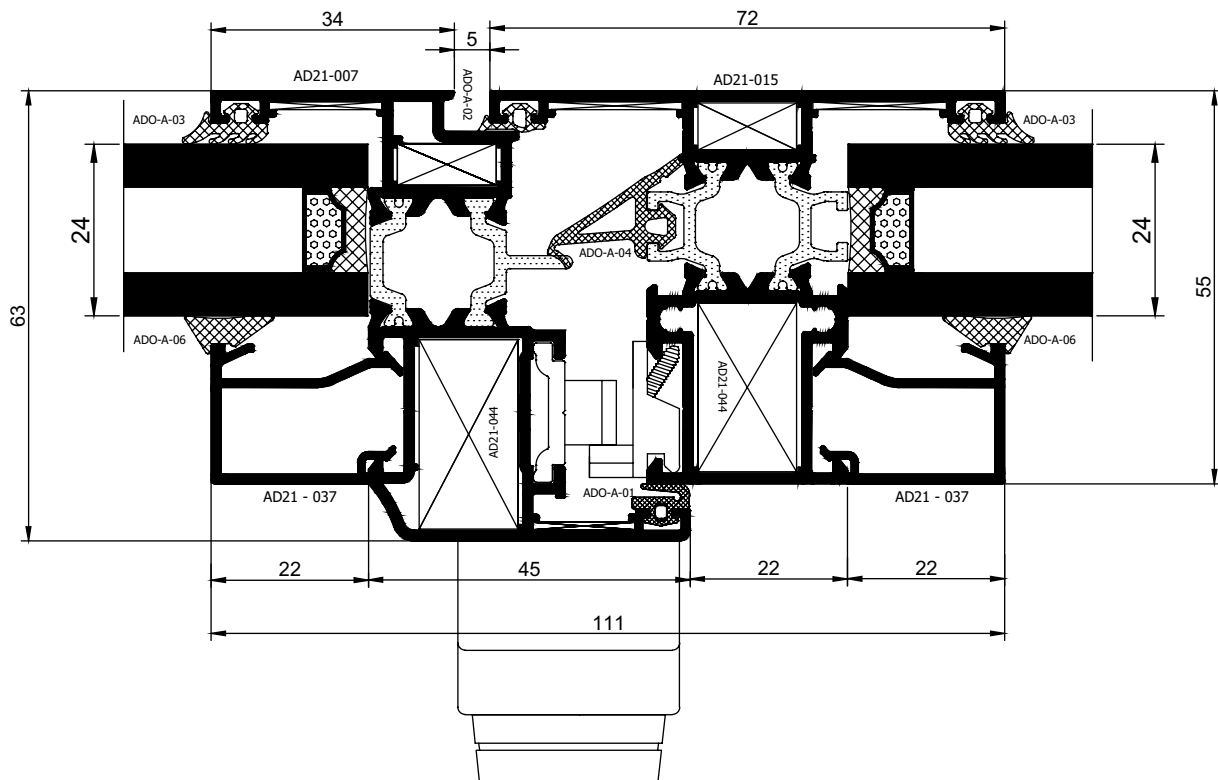
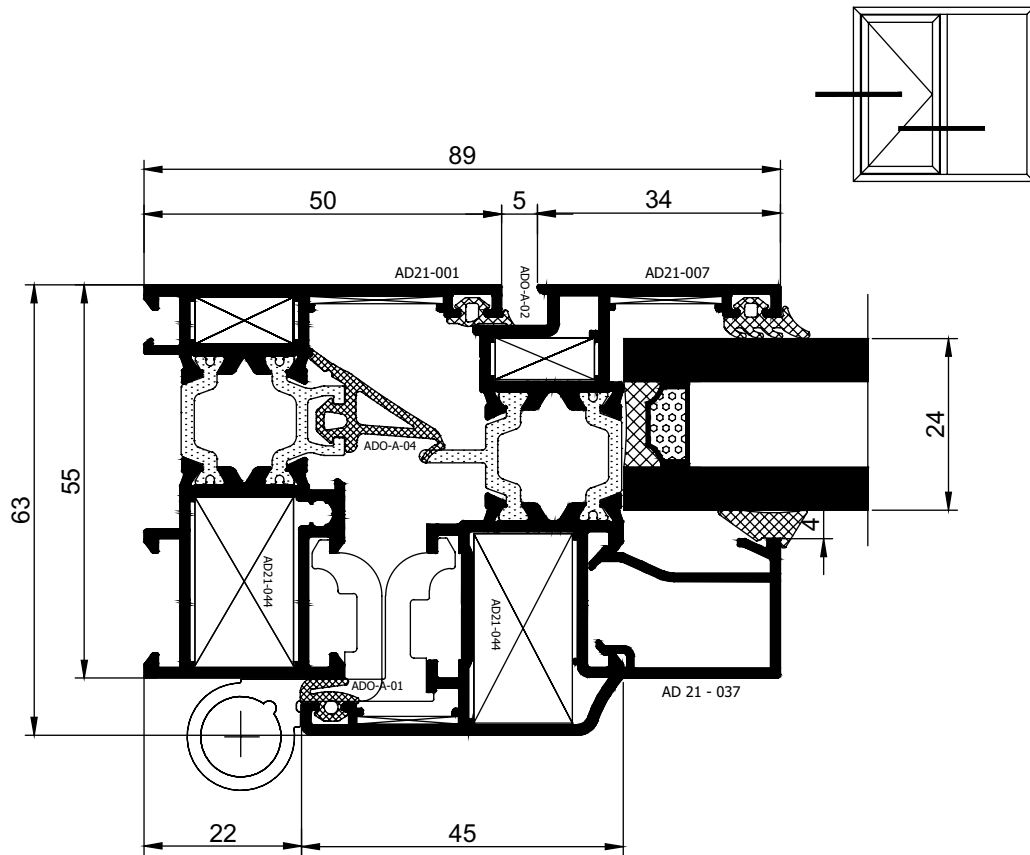
AD 55T CENTRAL SASH BAR CONNECTION COMBINATION TABLE

PROFILE CODE	CONNECTION PROFILE CODE	2ND CONNECTION PROFILE CODE
AD21-001	AD21-074	AD21-075
AD21-002	AD21-074	AD21-075
AD21-003	AD21-074	AD21-075
AD21-004	AD21-074	AD21-075
AD21-005	AD21-074	AD21-075
AD21-006	AD21-074	AD21-075
AD21-007	AD21-074	AD21-076
AD21-008	AD21-074	AD21-076
AD21-009	AD21-074	AD21-076
AD21-010	AD21-074	AD21-076
AD21-011	AD21-074	AD21-076
AD21-012	AD21-074	AD21-076
AD21-013	AD21-074	AD21-076
AD21-014	AD21-074	AD21-076
AD21-015	AD21-074	AD21-075
AD21-016	AD21-074	AD21-075
AD21-017	AD21-074	AD21-075
AD21-018	AD21-074	AD21-075
AD21-019	AD21-074	AD21-075
AD21-020	AD21-074	AD21-075
AD21-021	AD21-074	AD21-077
AD21-022	AD21-074	AD21-077
AD21-023	AD21-074	AD21-075
AD21-024	AD21-074	AD21-075
AD21-051	AD21-074	AD21-075
AD21-052	AD21-074	AD21-076
AD21-053	AD21-074	AD21-076
AD21-054	AD21-074	AD21-076
AD21-055	AD21-074	AD21-075
AD21-056	AD21-074	AD21-075
AD21-057	AD21-074	AD21-075
AD21-058	AD21-074	AD21-075
AD21-059	AD21-074	AD21-075
AD21-060	AD21-074	AD21-075
AD21-061	AD21-074	AD21-076
AD21-062	AD21-074	AD21-076
AD21-063	AD21-074	AD21-076
AD21-064	AD21-074	AD21-076
AD21-065	AD21-074	AD21-076
AD21-066	AD21-074	AD21-075
AD21-067	AD21-074	AD21-075
AD21-068	AD21-074	AD21-075
AD21-069	AD21-074	AD21-075
AD21-070	AD21-074	AD21-075
AD21-071	AD21-074	AD21-075
AD21-072	AD21-074	AD21-075
AD21-073	AD21-074	AD21-076
AD21-078	AD21-074	AD21-077
AD21-079	AD21-074	AD21-077
AD21-088	AD21-074	AD21-075

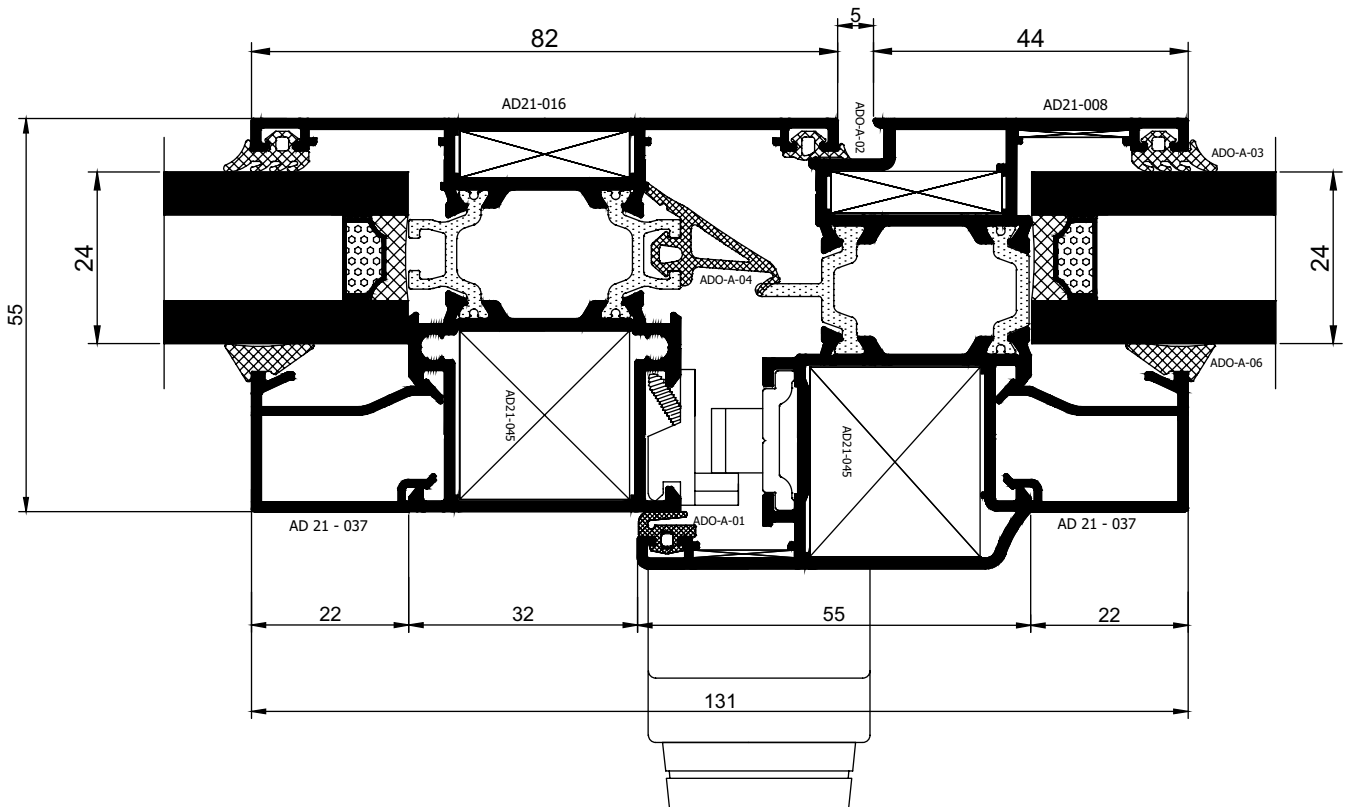
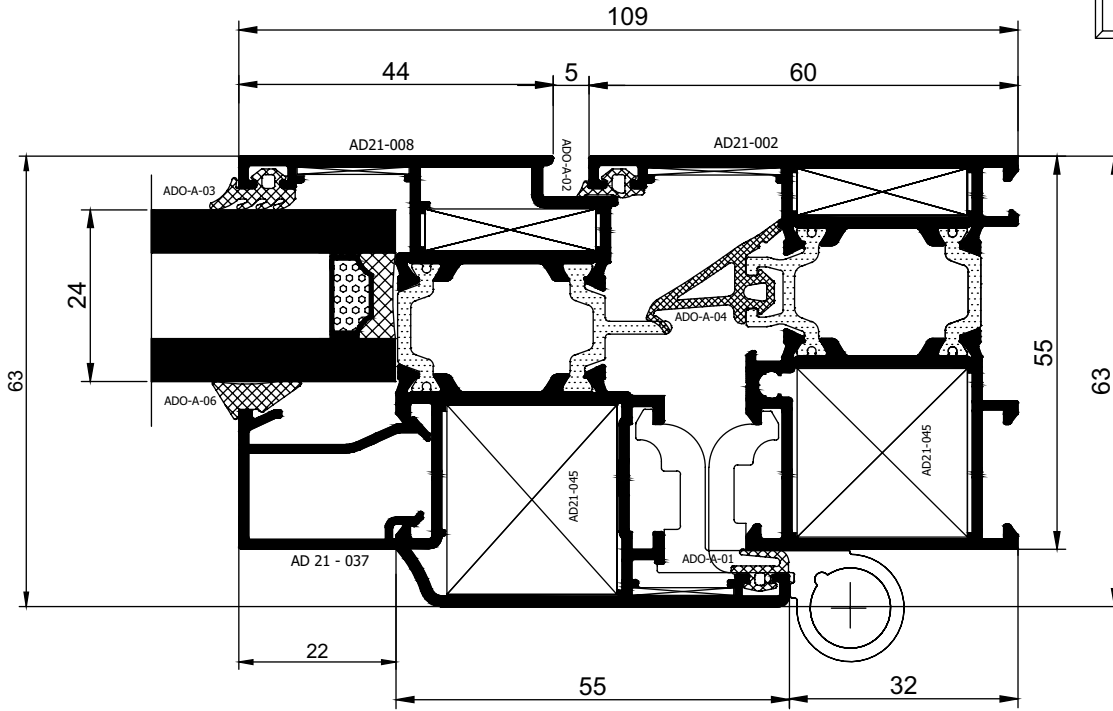
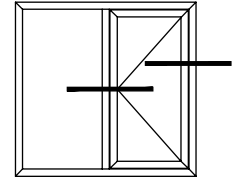
AD 55 T INSULATED JOINERY SYSTEM

AD 55 T INSULATED SERIES				
PROFILE CODE	CORNER BEAD CODE	DESCRIPTION		QTY
AD21-001	005.002.003.00	CORNER BEAD	45x18.7	1
AD21-002	005.002.003.00	CORNER BEAD	45x18.7	1
AD21-003	005.002.003.00	CORNER BEAD	45x18.7	1
AD21-004	005.002.003.00	CORNER BEAD	45x18.7	1
AD21-005	005.002.003.00	CORNER BEAD	45x18.7	2
AD21-006	005.002.003.00	CORNER BEAD	45x18.7	2
AD21-007	005.002.001.00	CORNER BEAD	39.7x15.7	1
	005.002.002.00	CORNER BEAD	35x14.2	1
AD21-008	005.002.001.00	CORNER BEAD	39.7x15.7	1
	005.002.002.00	CORNER BEAD	35x14.2	1
AD21-009	005.002.001.00	CORNER BEAD	39.7x15.7	1
	005.002.002.00	CORNER BEAD	35x14.2	1
AD21-010	005.002.001.00	CORNER BEAD	39.7x15.7	1
	005.002.002.00	CORNER BEAD	35x14.2	1
AD21-011	005.002.001.00	CORNER BEAD	39.7x15.7	1
	005.002.002.00	CORNER BEAD	35x14.2	1
AD21-012	005.002.001.00	CORNER BEAD	39.7x15.7	1
	005.002.002.00	CORNER BEAD	35x14.2	1
AD21-013	005.002.001.00	CORNER BEAD	39.7x15.7	1
	005.002.002.00	CORNER BEAD	35x14.2	1
AD21-014	005.002.001.00	CORNER BEAD	39.7x15.7	1
	005.002.002.00	CORNER BEAD	35x14.2	1
AD21-015	005.002.003.00	CORNER BEAD	45x18.7	2
AD21-016	005.002.003.00	CORNER BEAD	45x18.7	2
AD21-017	005.002.003.00	CORNER BEAD	45x18.7	2
AD21-018	005.002.003.00	CORNER BEAD	45x18.7	2
AD21-019	005.002.003.00	CORNER BEAD	45x18.7	2
AD21-020	005.002.003.00	CORNER BEAD	45x18.7	1
AD21-021	005.002.001.00	CORNER BEAD	39.7x15.7	1
AD21-022	005.002.001.00	CORNER BEAD	39.7x15.7	1
AD21-023	005.002.003.00	CORNER BEAD	45x18.7	2
AD21-024	005.002.003.00	CORNER BEAD	45x18.7	2
AD21-026	005.002.003.00	CORNER BEAD	45x18.7	1
AD21-027	005.002.002.00	CORNER BEAD	35x14.2	1
AD21-051	005.002.003.00	CORNER BEAD	45x18.7	1
AD21-052	005.002.001.00	CORNER BEAD	39.7x15.7	1
	005.002.002.00	CORNER BEAD	35x14.2	1
AD21-053	005.002.001.00	CORNER BEAD	39.7x15.7	1
	005.002.002.00	CORNER BEAD	35x14.2	1
AD21-054	005.002.001.00	CORNER BEAD	39.7x15.7	1
	005.002.002.00	CORNER BEAD	35x14.2	1
AD21-055	005.002.003.00	CORNER BEAD	45x18.7	2
AD21-056	005.002.003.00	CORNER BEAD	45x18.7	1
AD21-057	005.002.003.00	CORNER BEAD	45x18.7	1
AD21-058	005.002.003.00	CORNER BEAD	45x18.7	1
AD21-059	005.002.003.00	CORNER BEAD	45x18.7	2
AD21-060	005.002.003.00	CORNER BEAD	45x18.7	2
AD21-061	005.002.001.00	CORNER BEAD	39.7x15.7	1
	005.002.002.00	CORNER BEAD	35x14.2	1
AD21-062	005.002.001.00	CORNER BEAD	39.7x15.7	1
	005.002.002.00	CORNER BEAD	35x14.2	1
AD21-063	005.002.001.00	CORNER BEAD	39.7x15.7	1
	005.002.002.00	CORNER BEAD	35x14.2	1
AD21-064	005.002.001.00	CORNER BEAD	39.7x15.7	1
	005.002.002.00	CORNER BEAD	35x14.2	1
AD21-065	005.002.001.00	CORNER BEAD	39.7x15.7	1
	005.002.002.00	CORNER BEAD	35x14.2	1
AD21-066	005.002.003.00	CORNER BEAD	45x18.7	2
AD21-067	005.002.003.00	CORNER BEAD	45x18.7	2

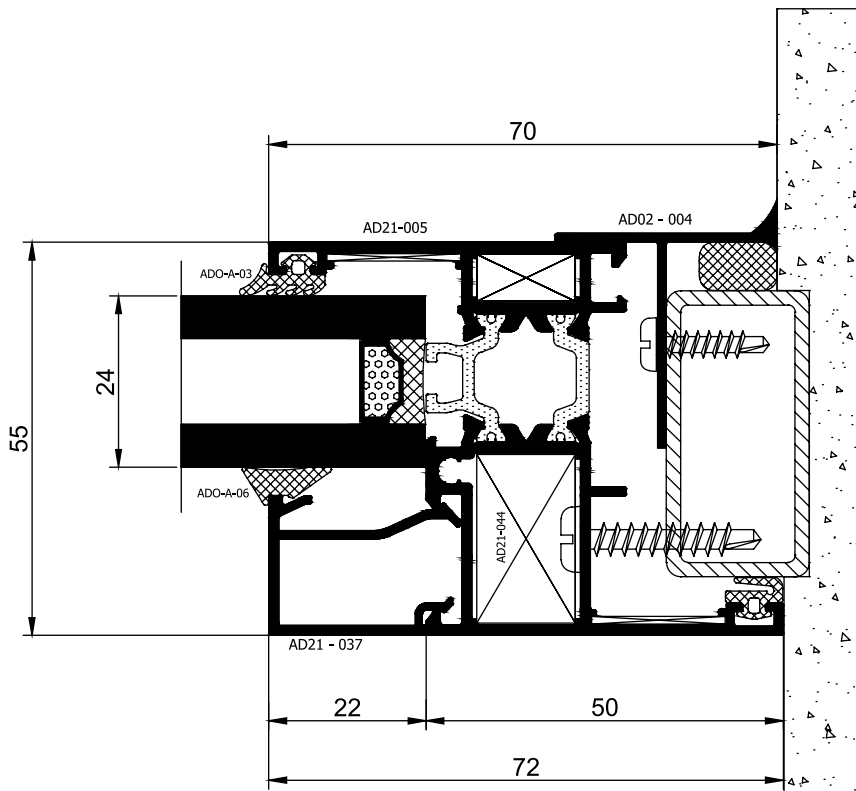
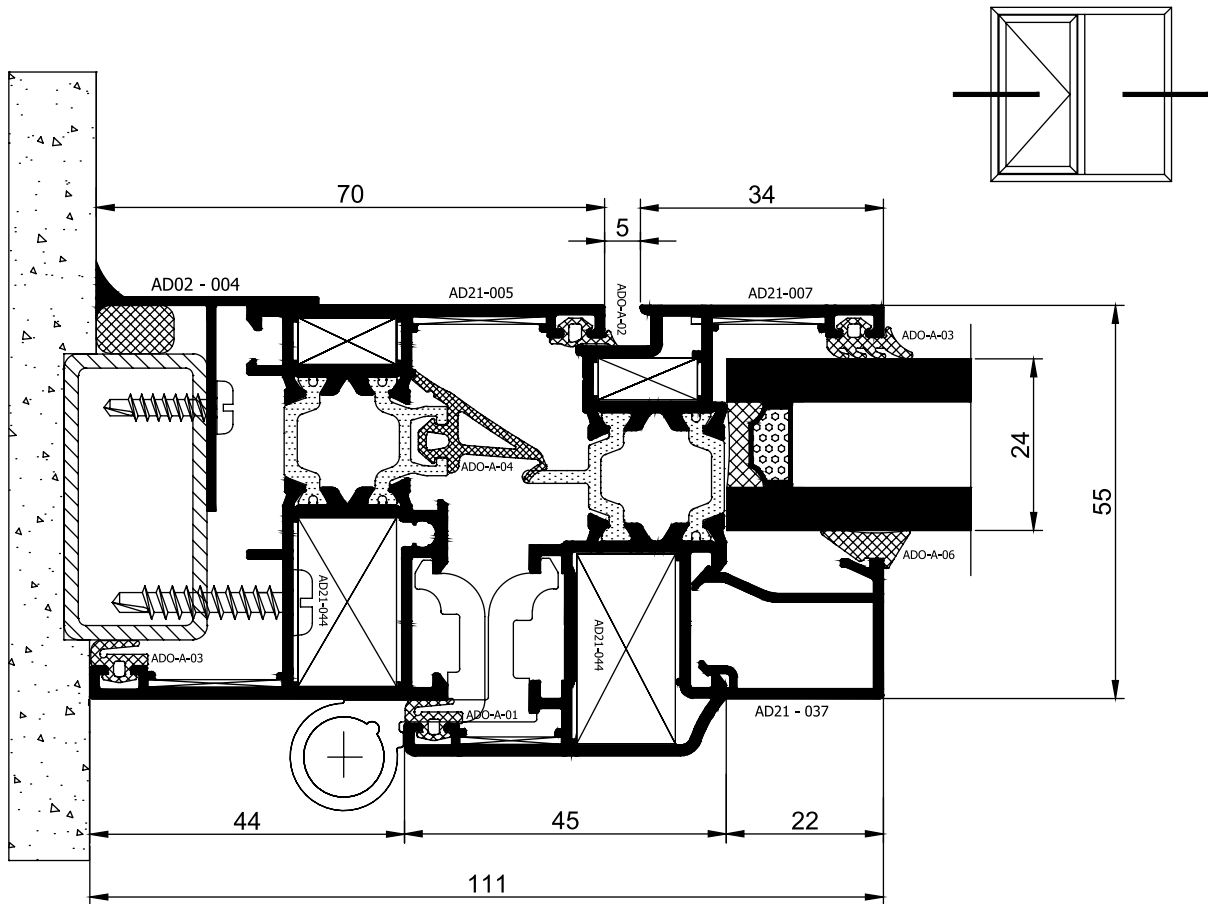
AD 55 T INSULATED JOINERY SYSTEM DETAILS



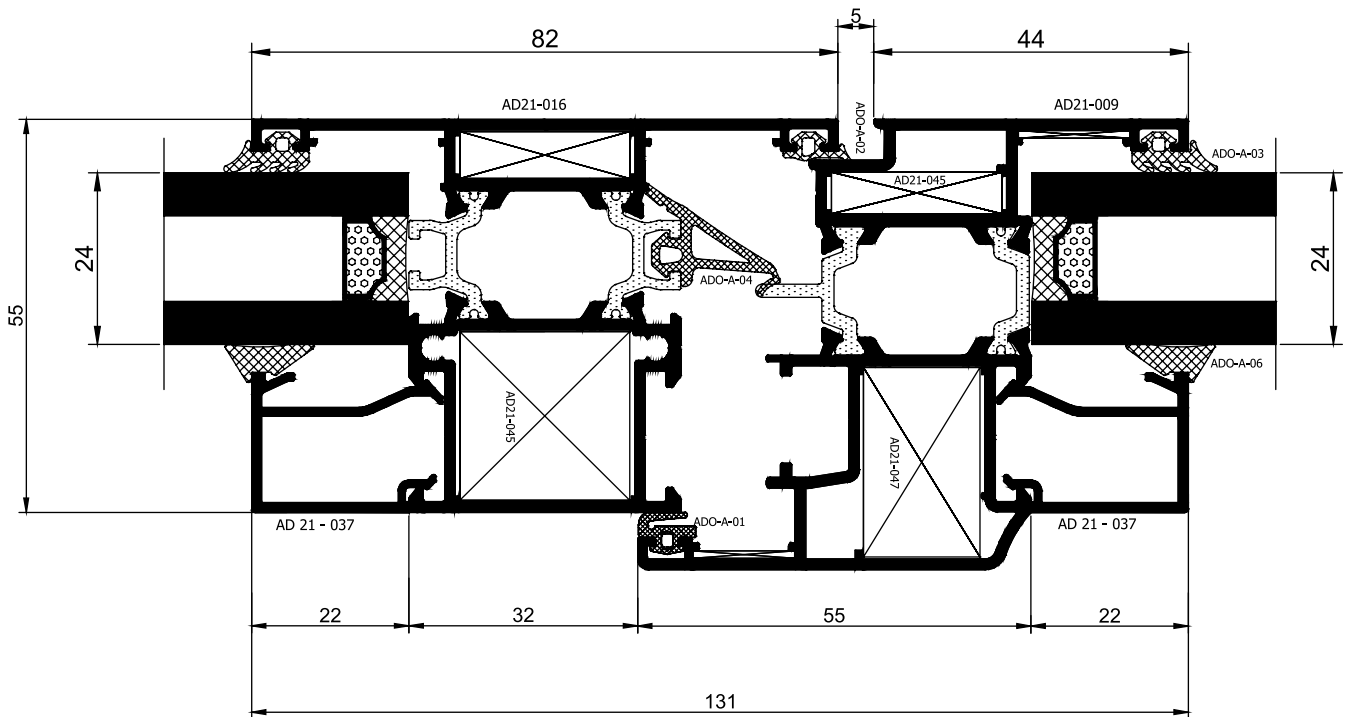
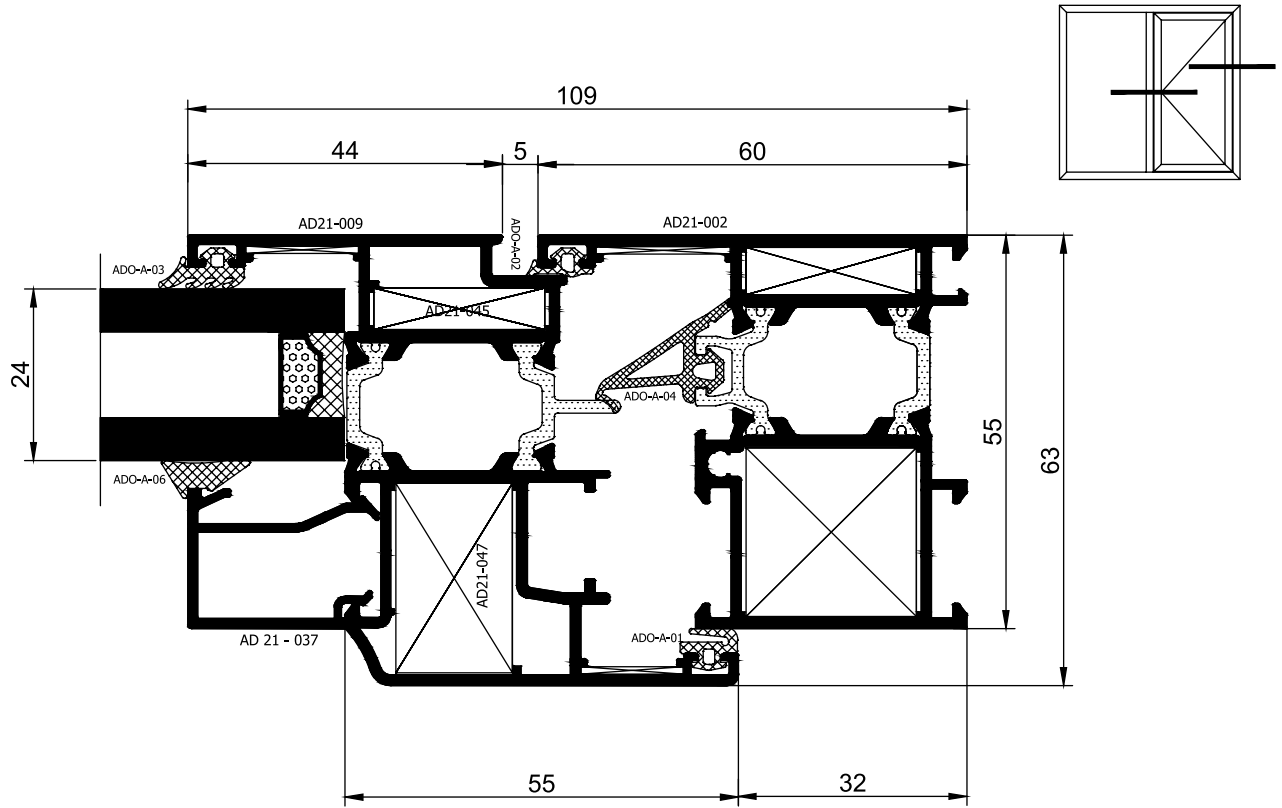
AD 55 T INSULATED JOINERY SYSTEM DETAILS



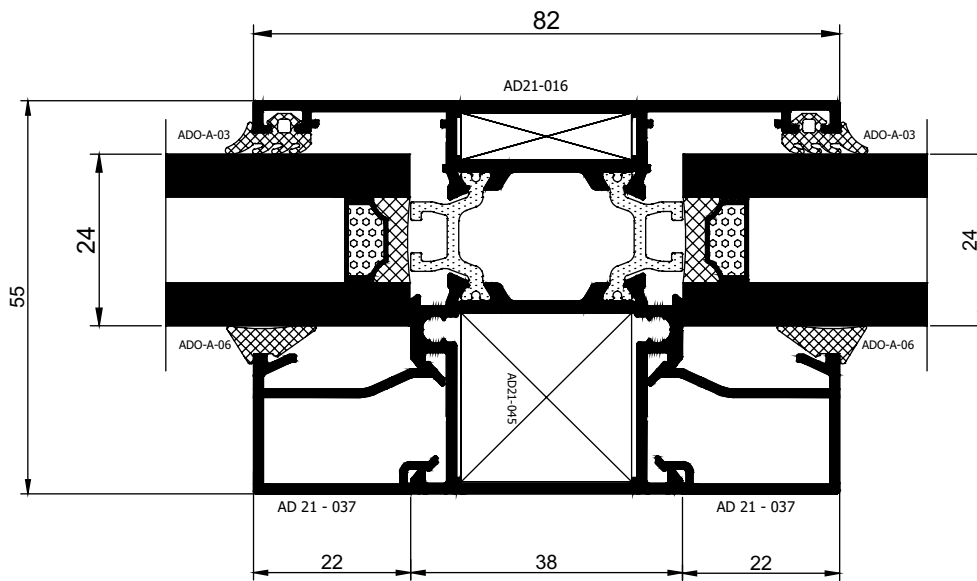
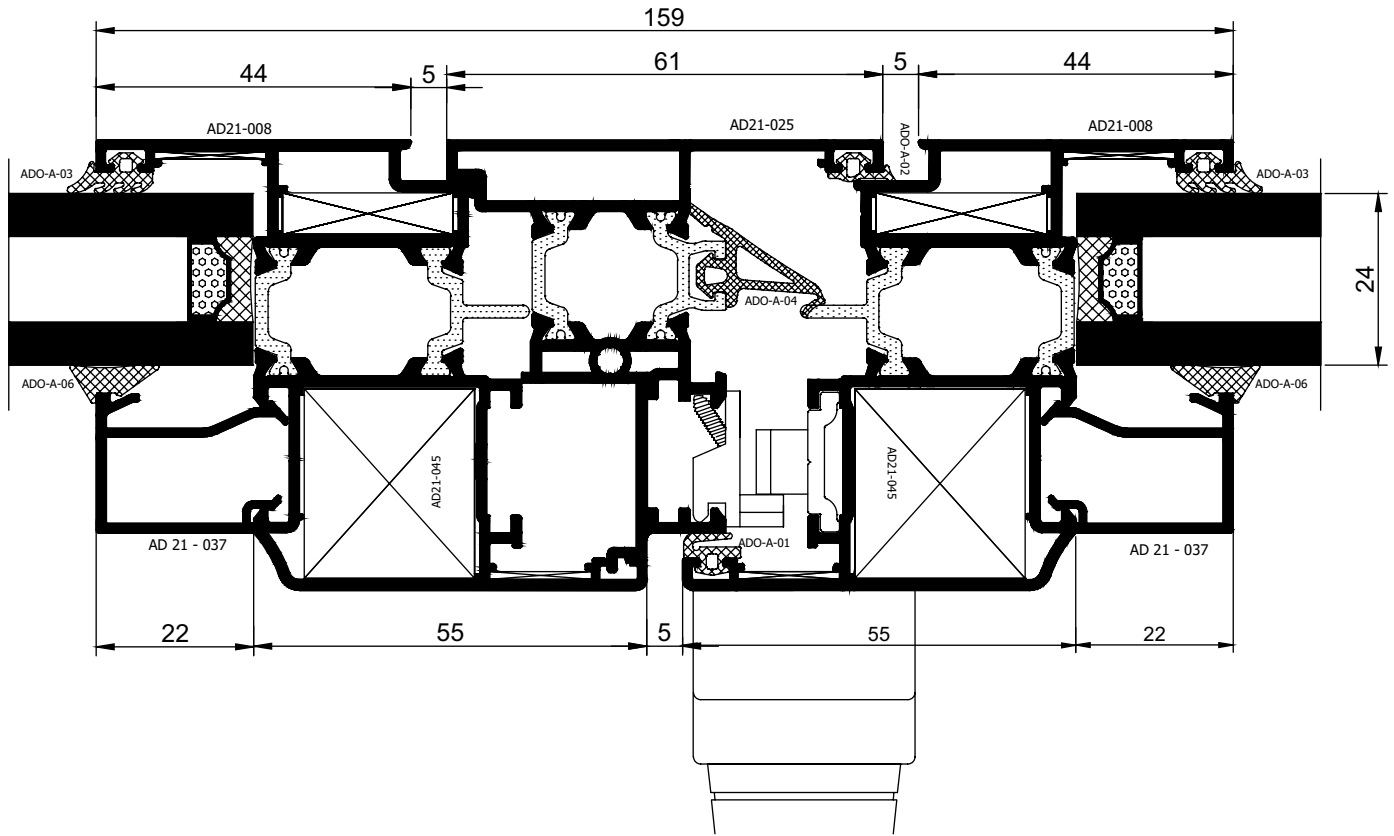
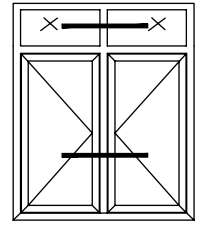
AD 55 T INSULATED JOINERY SYSTEM DETAILS



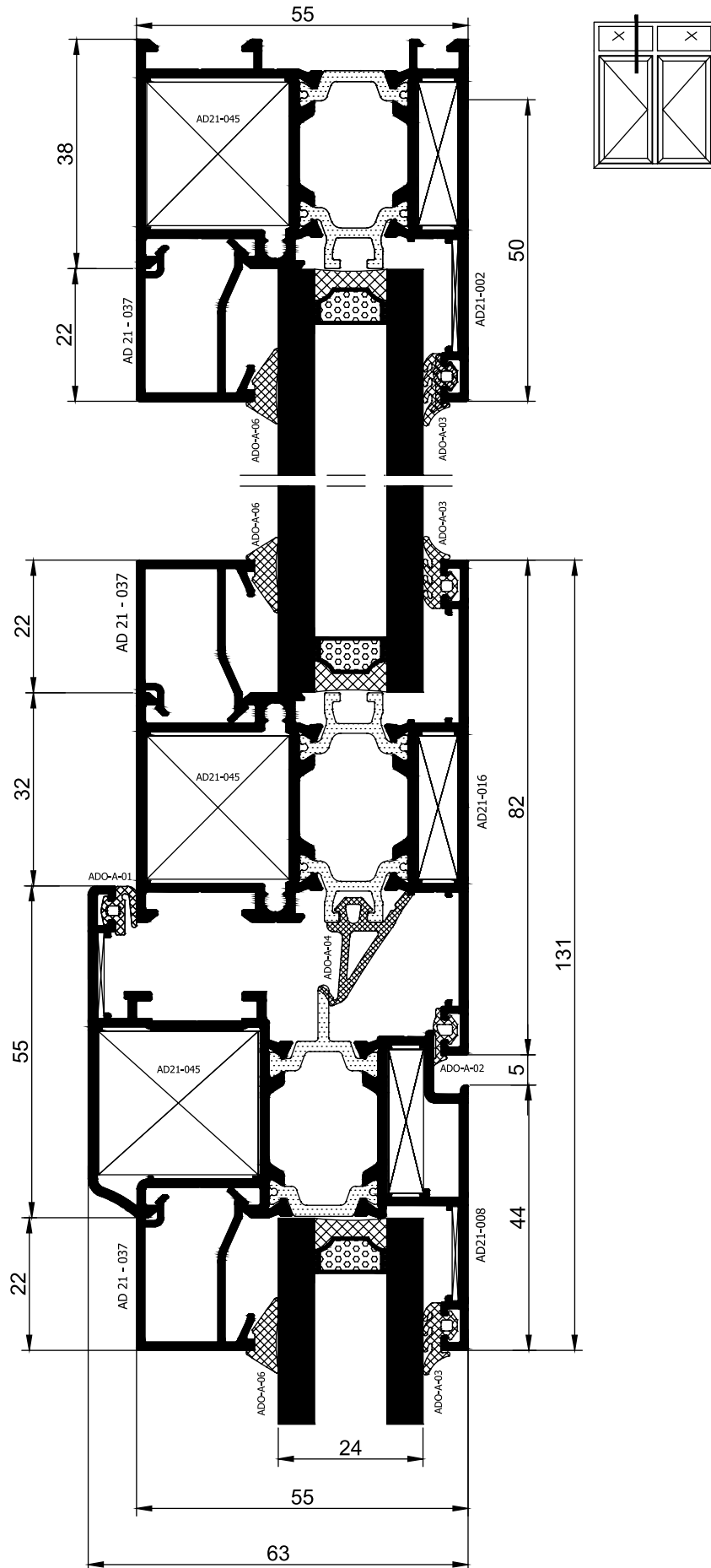
AD 55 T INSULATED JOINERY SYSTEM DETAILS



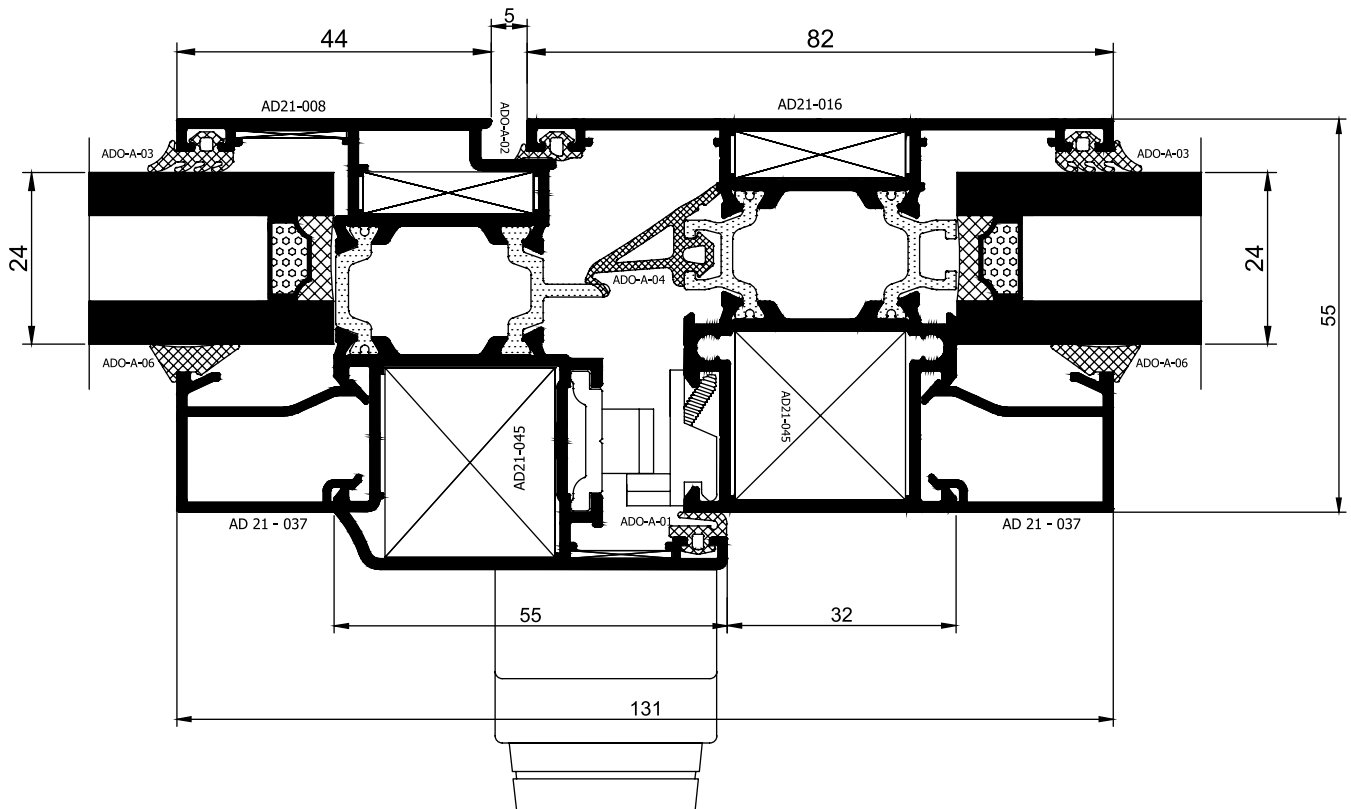
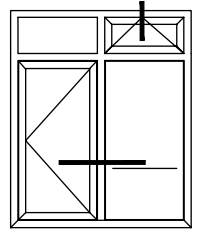
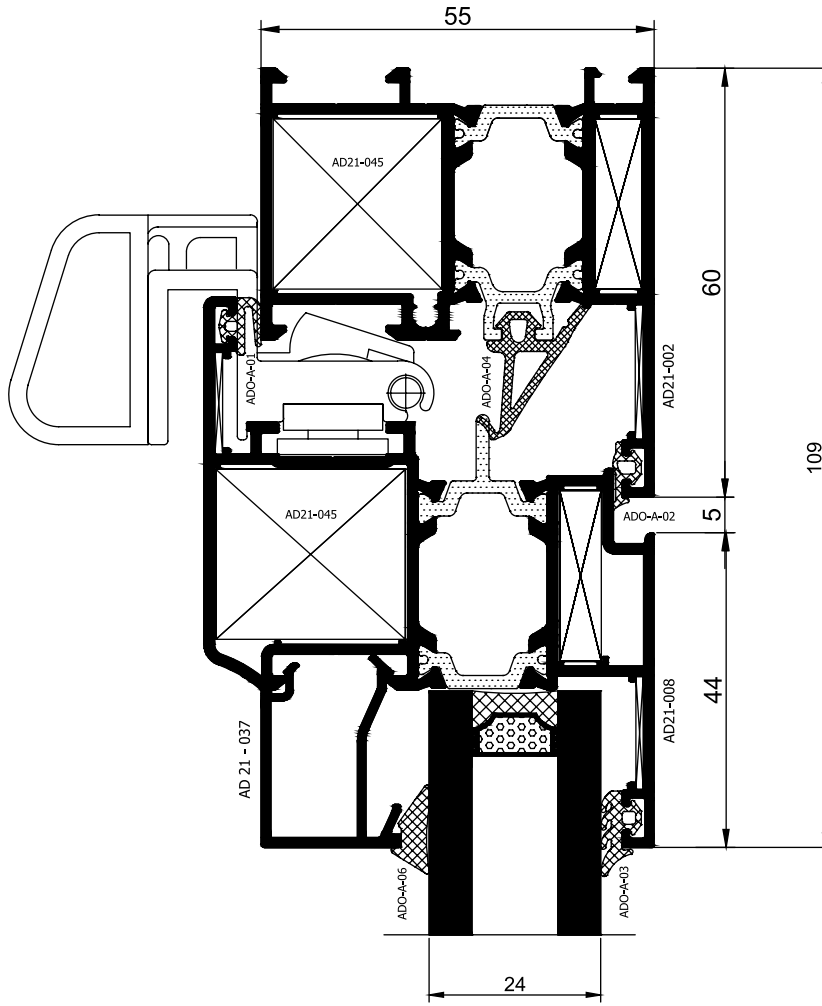
AD 55 T INSULATED JOINERY SYSTEM DETAILS



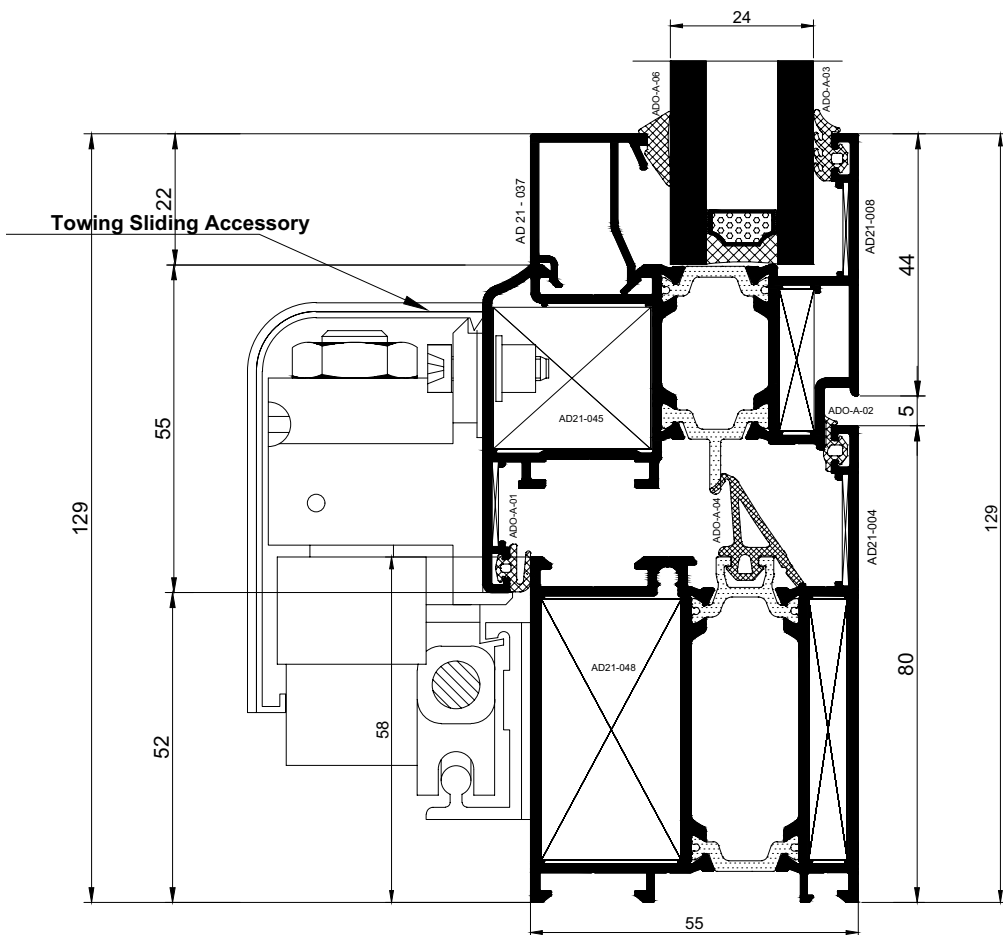
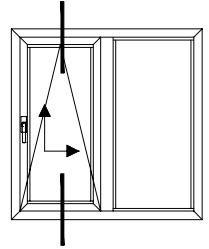
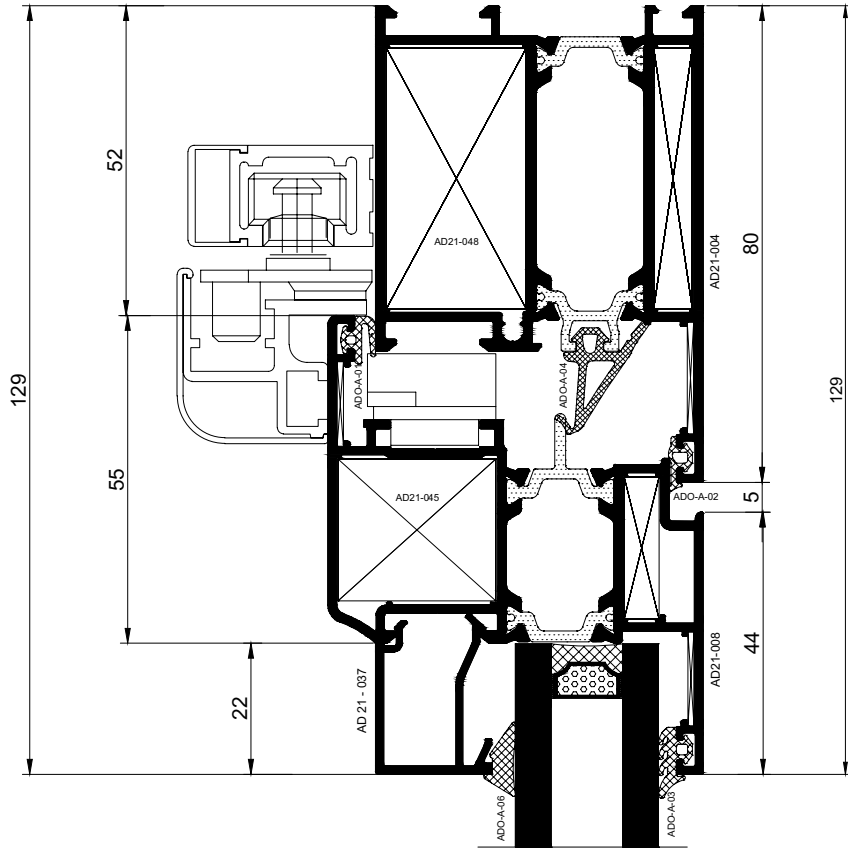
AD 55 T INSULATED JOINERY SYSTEM DETAILS



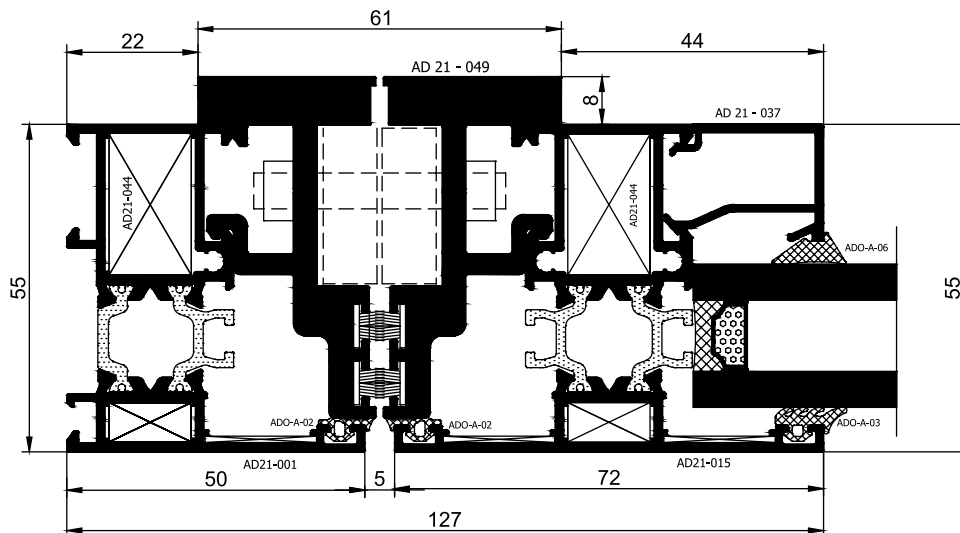
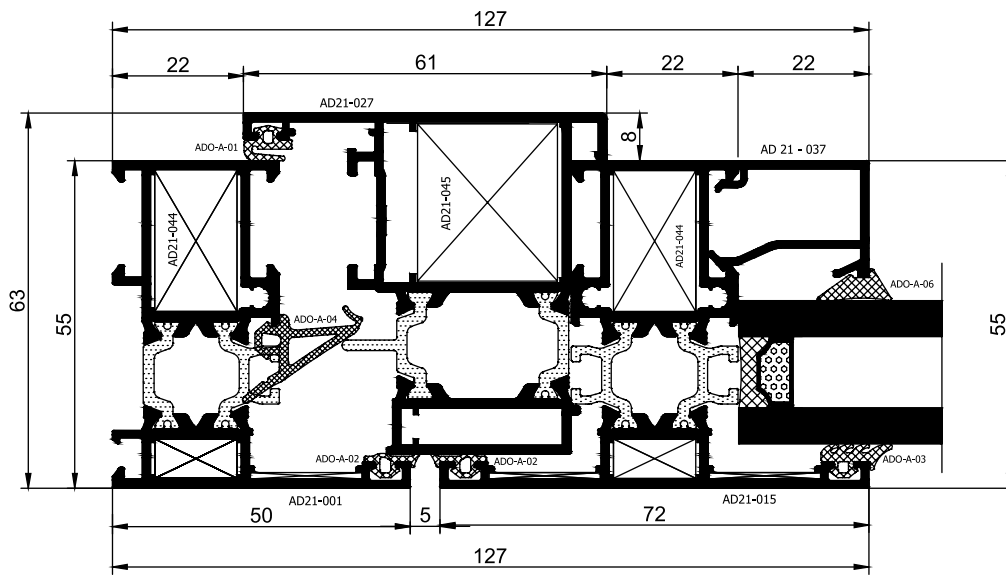
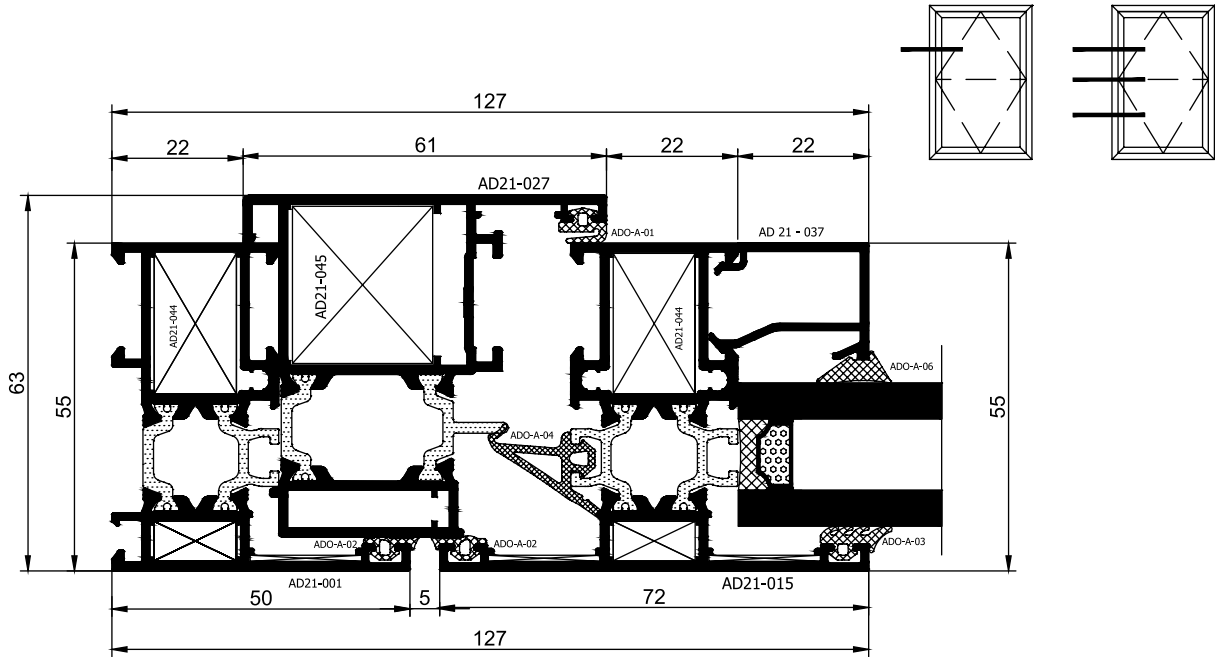
AD 55 T INSULATED JOINERY SYSTEM DETAILS



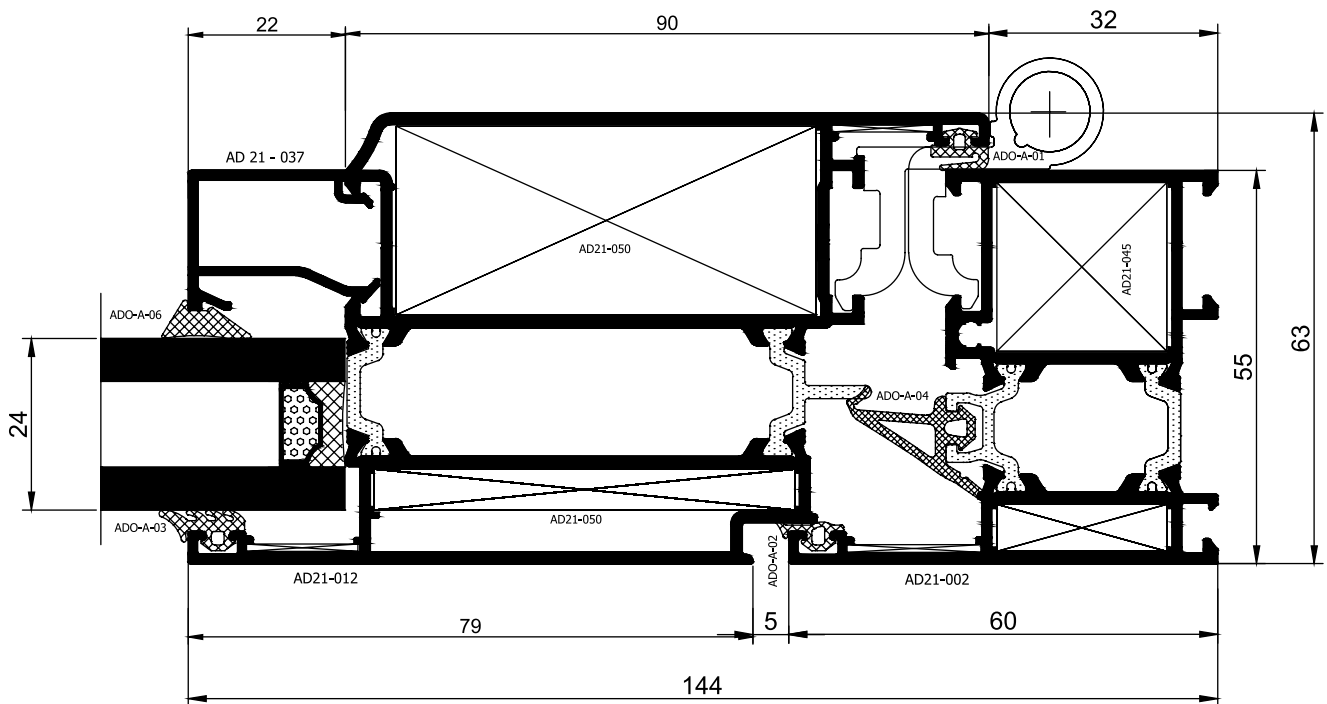
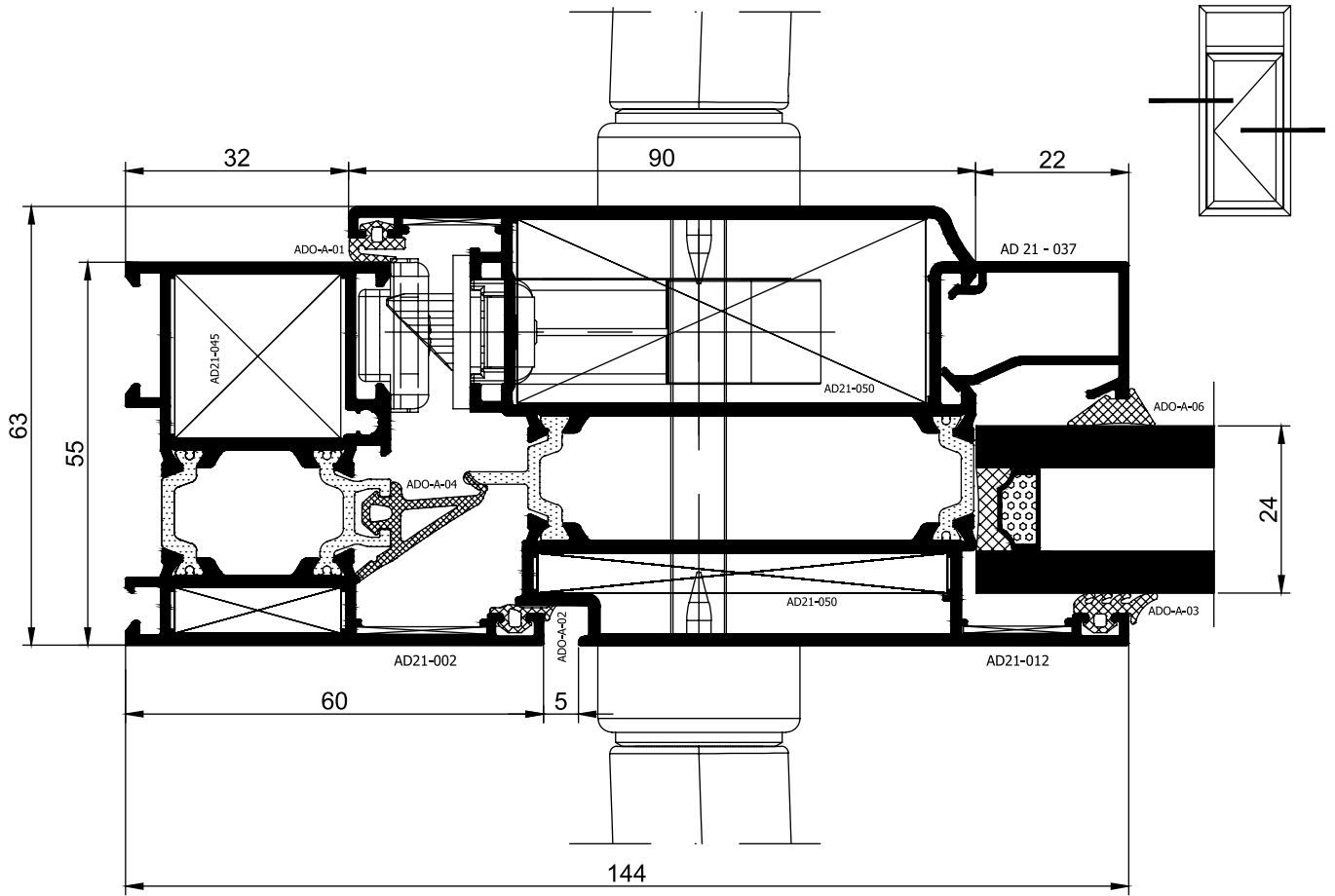
AD 55 T INSULATED JOINERY SYSTEM DETAILS



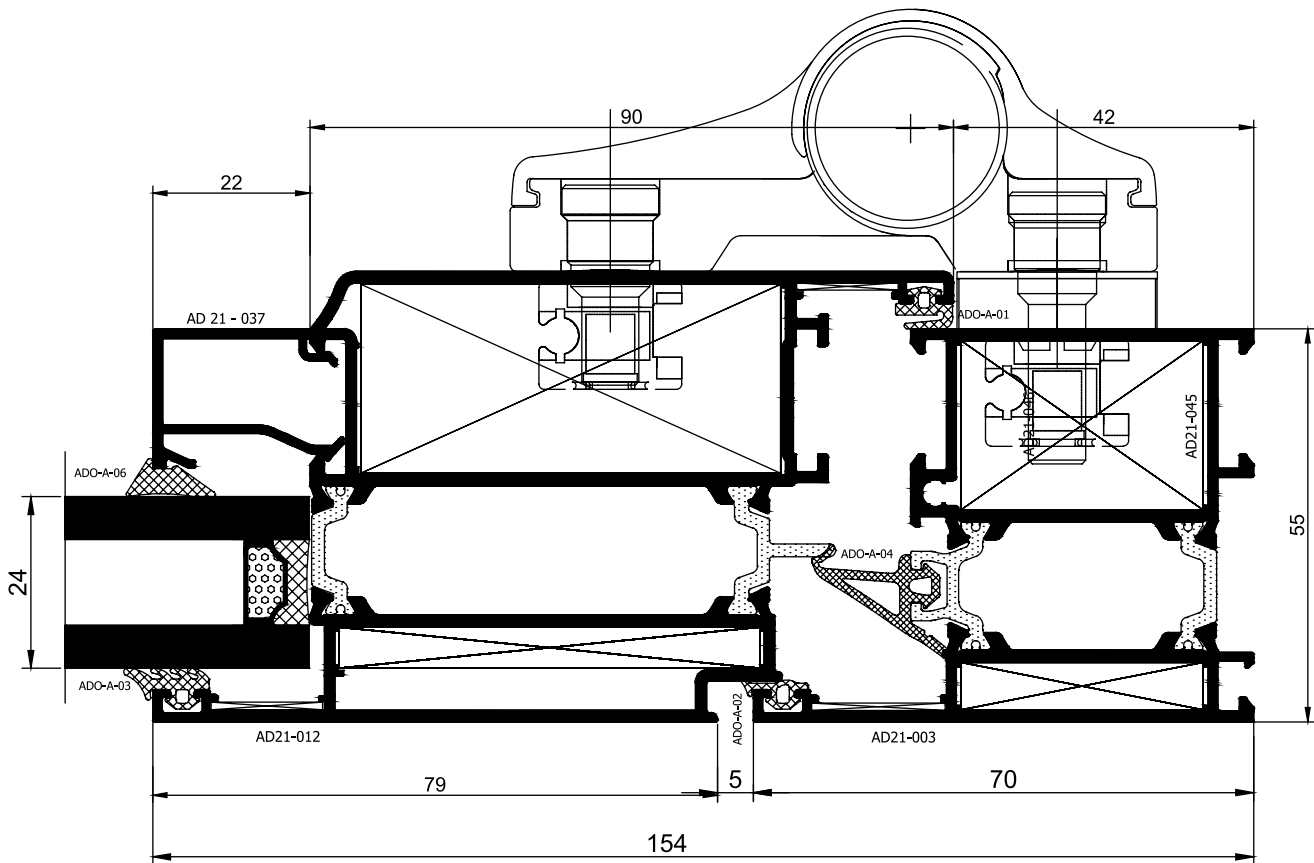
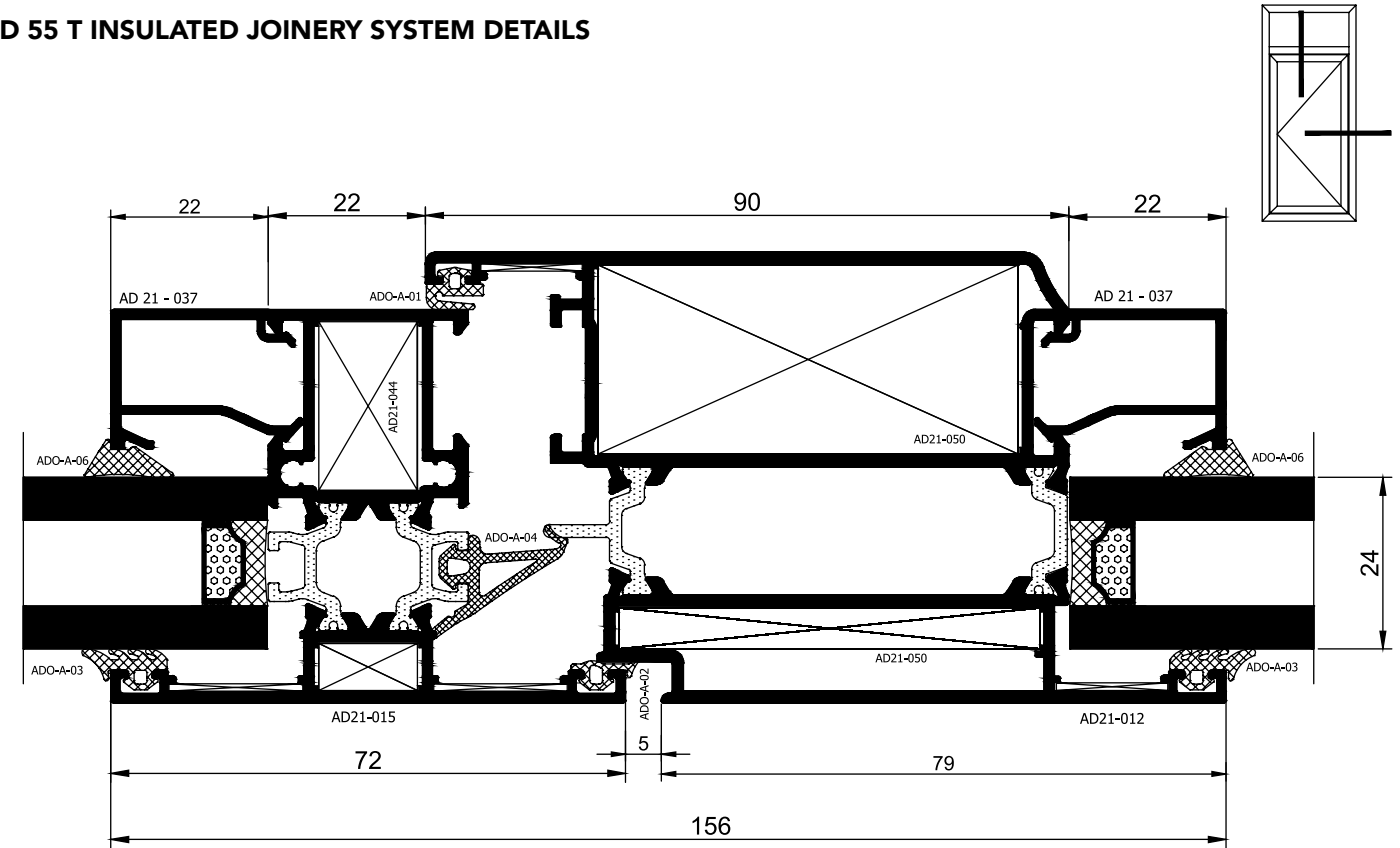
AD 55 T INSULATED JOINERY SYSTEM DETAILS



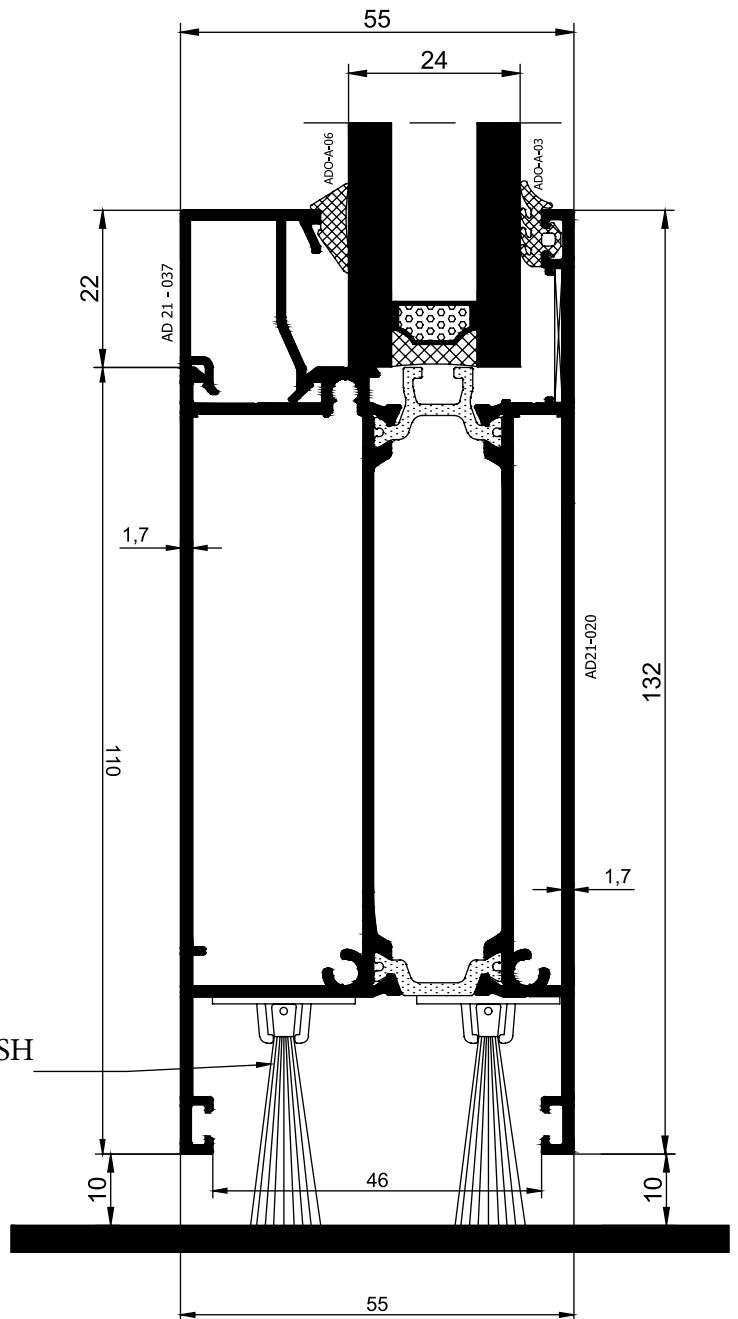
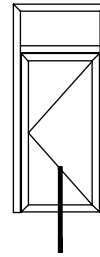
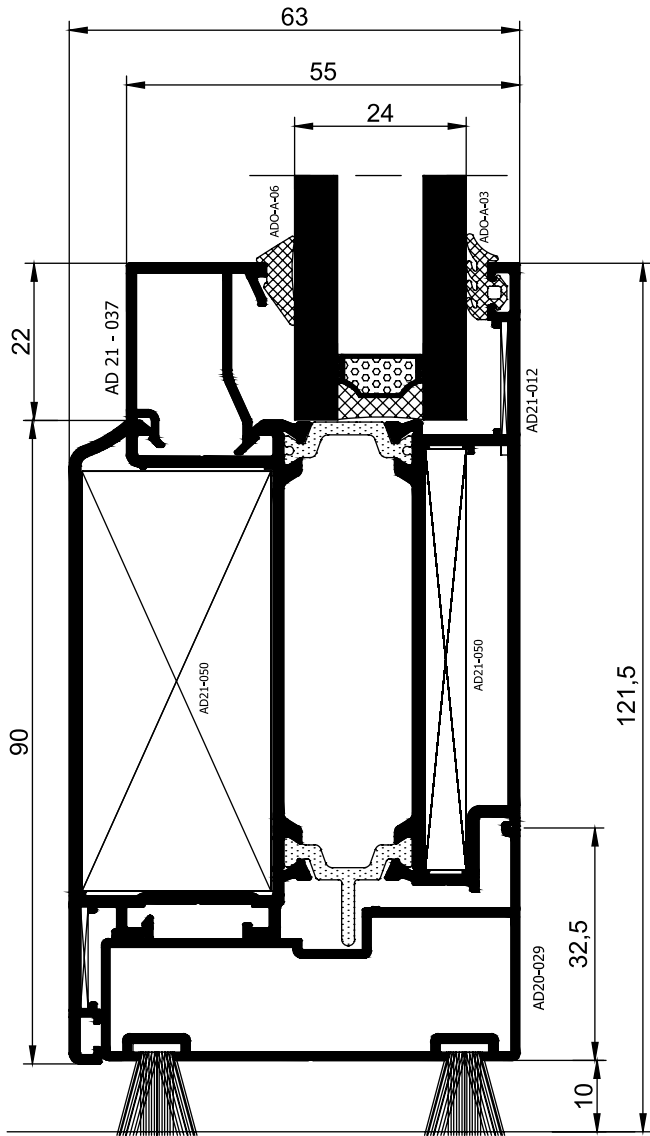
AD 55 T INSULATED JOINERY SYSTEM DETAILS



AD 55 T INSULATED JOINERY SYSTEM DETAILS

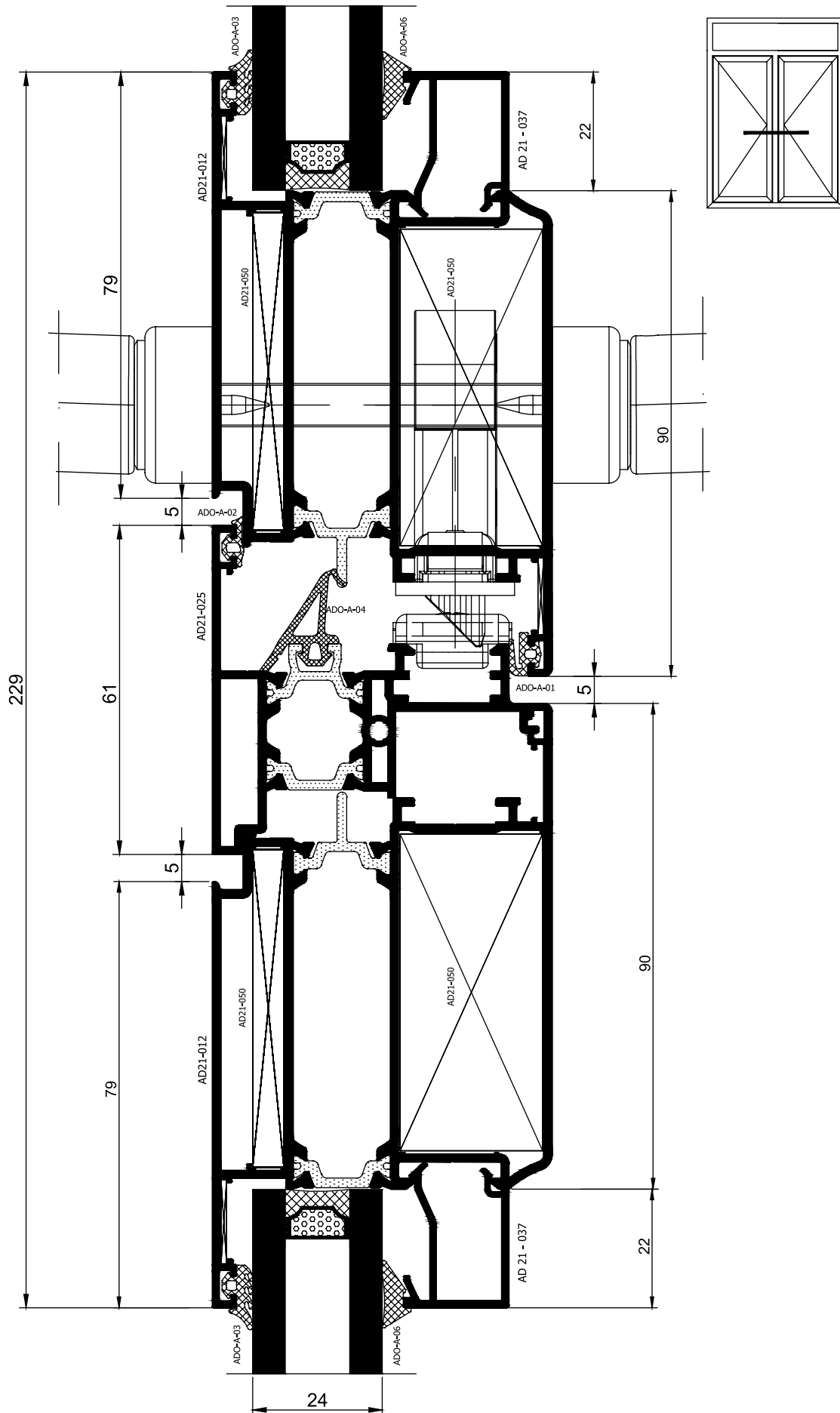


AD 55 T INSULATED JOINERY SYSTEM DETAILS

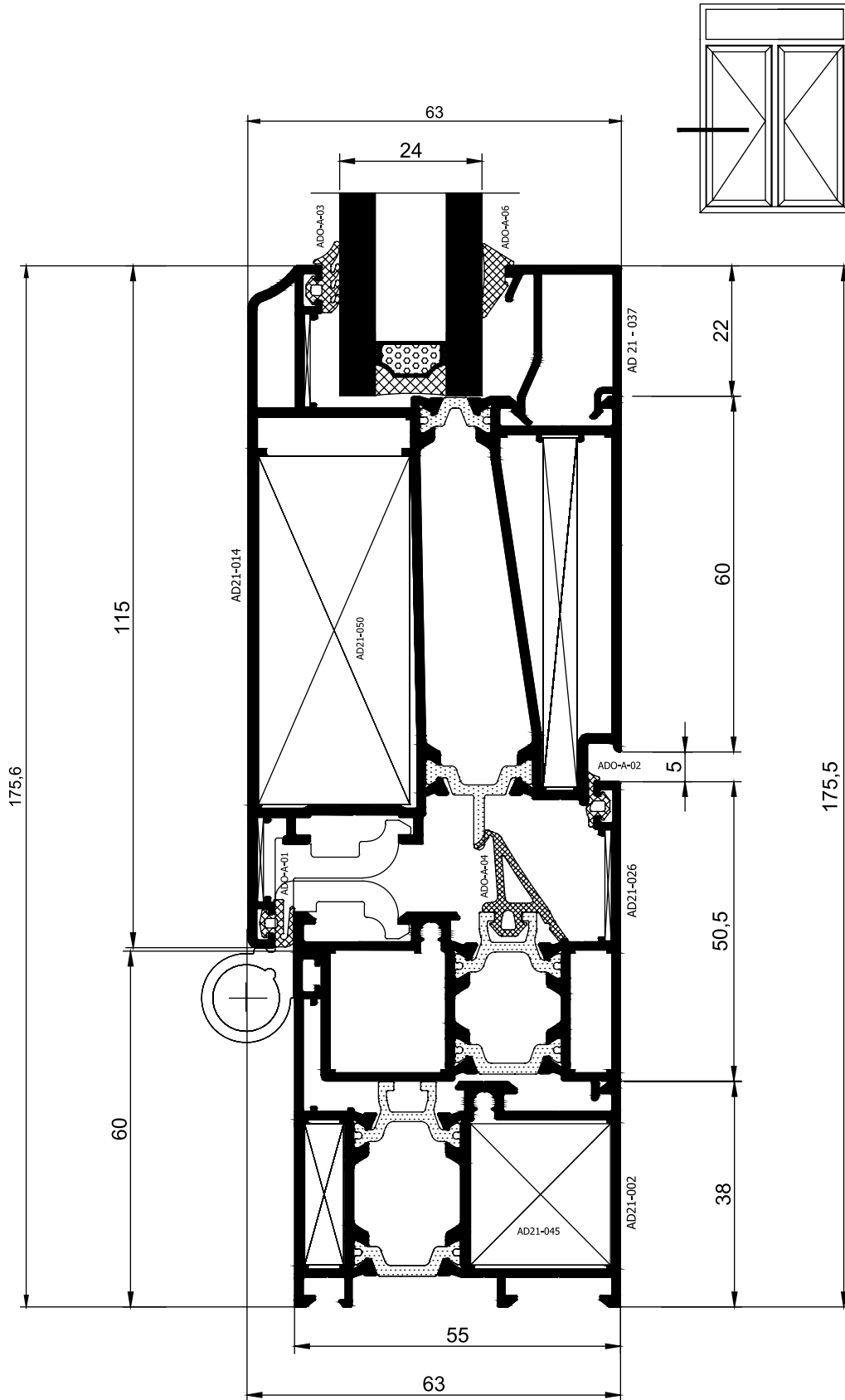


DROP DOWN BRUSH

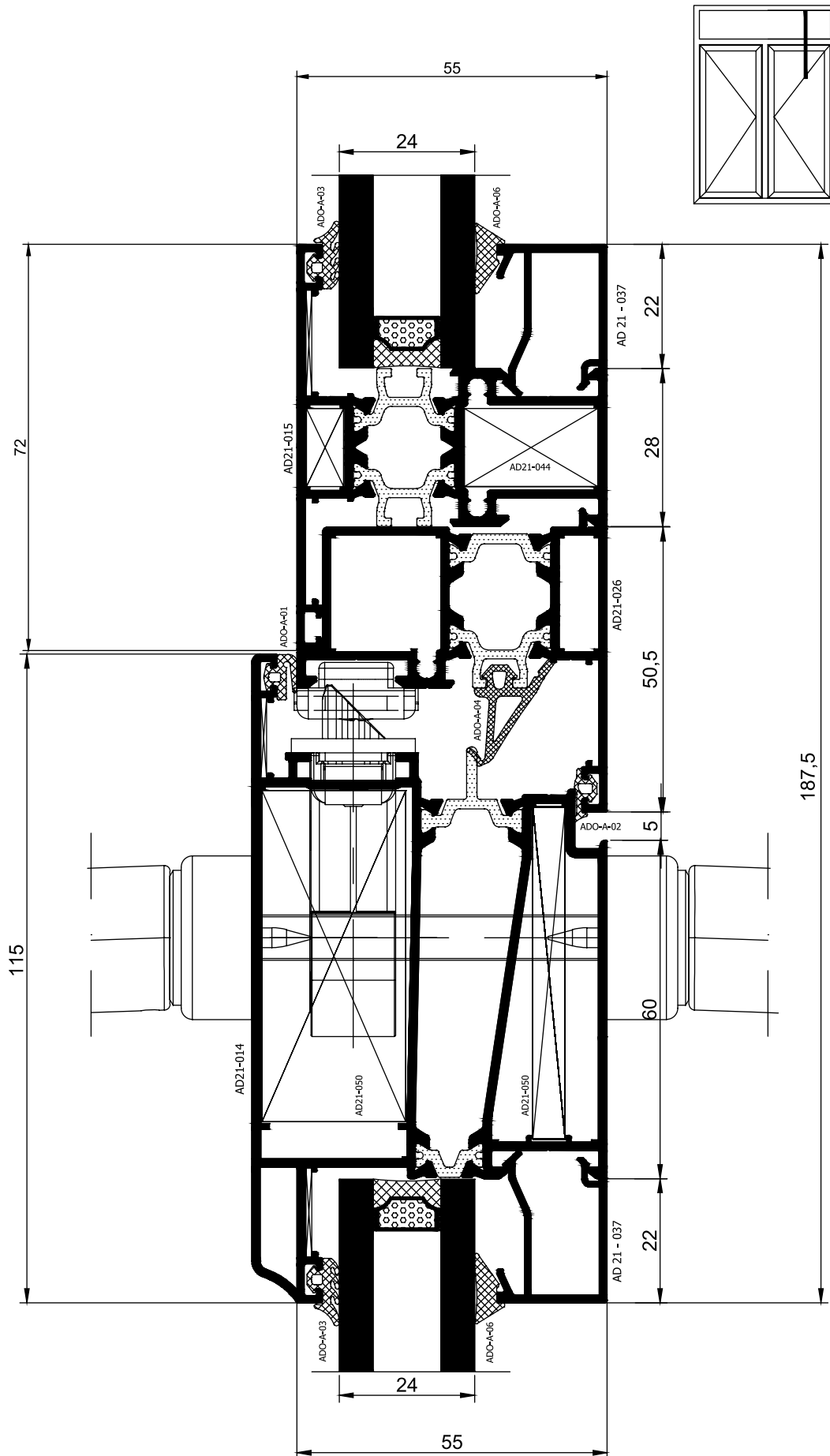
AD 55 T INSULATED JOINERY SYSTEM DETAILS



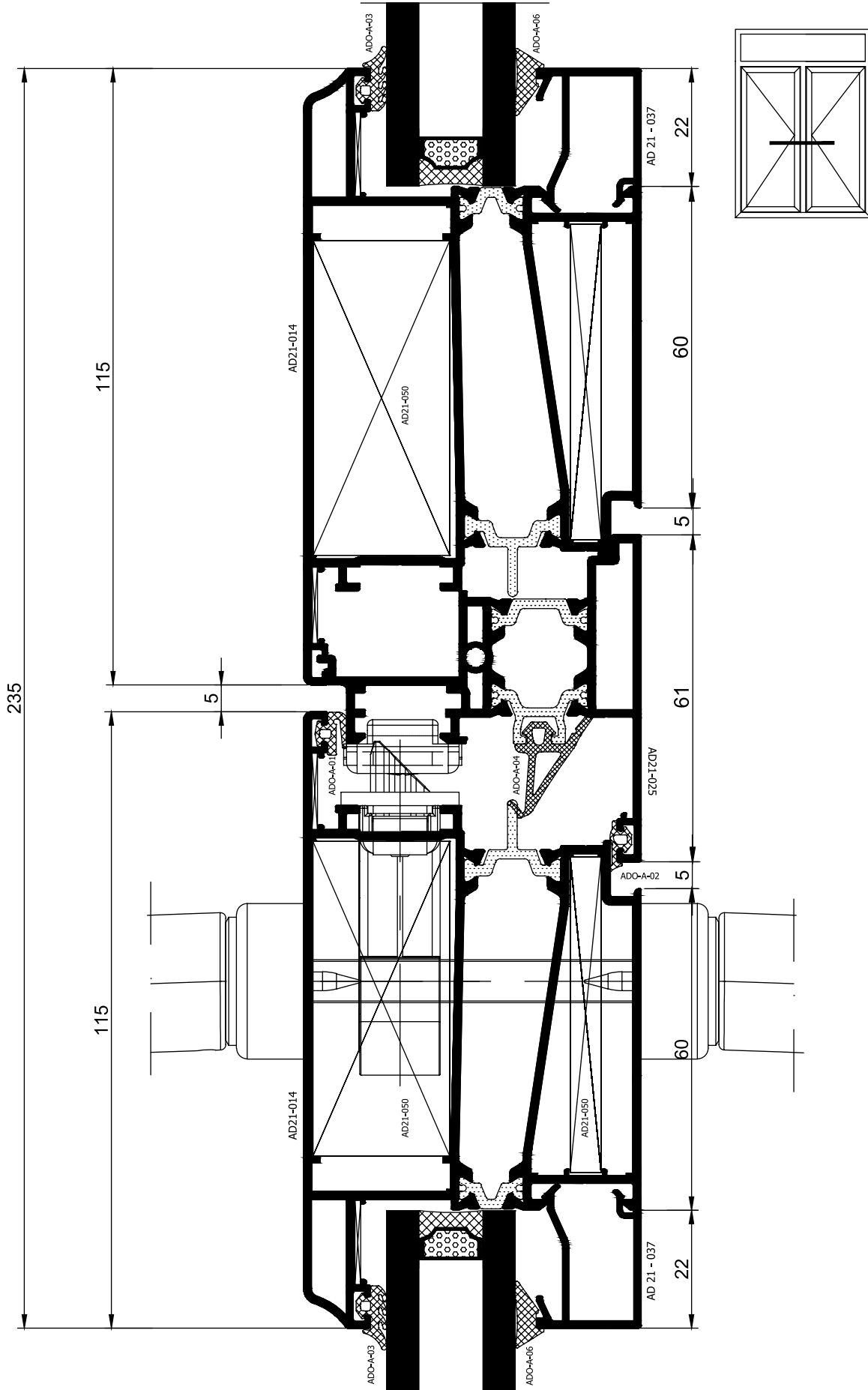
AD 55 T INSULATED JOINERY SYSTEM DETAILS



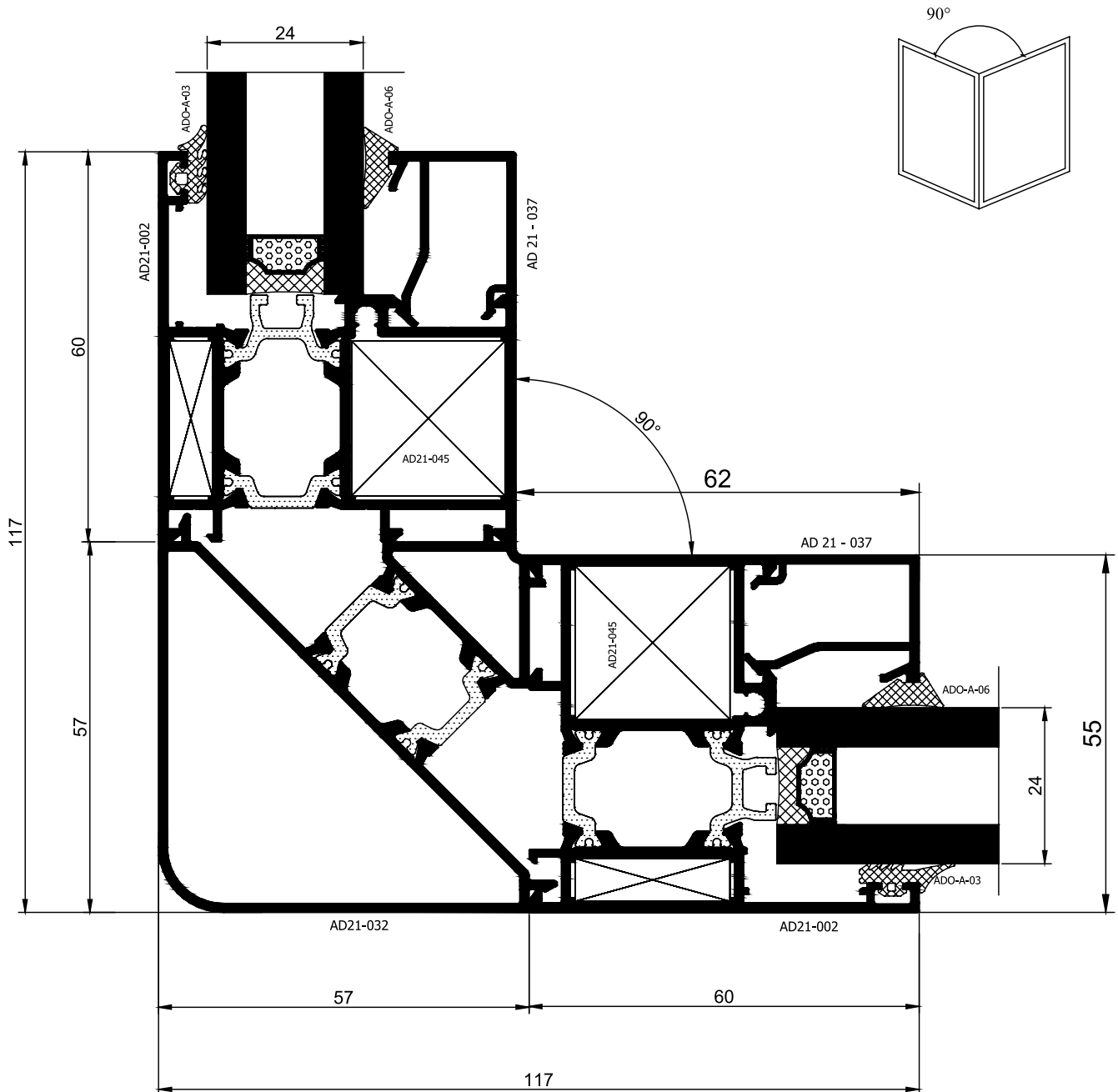
AD 55 T INSULATED JOINERY SYSTEM DETAILS



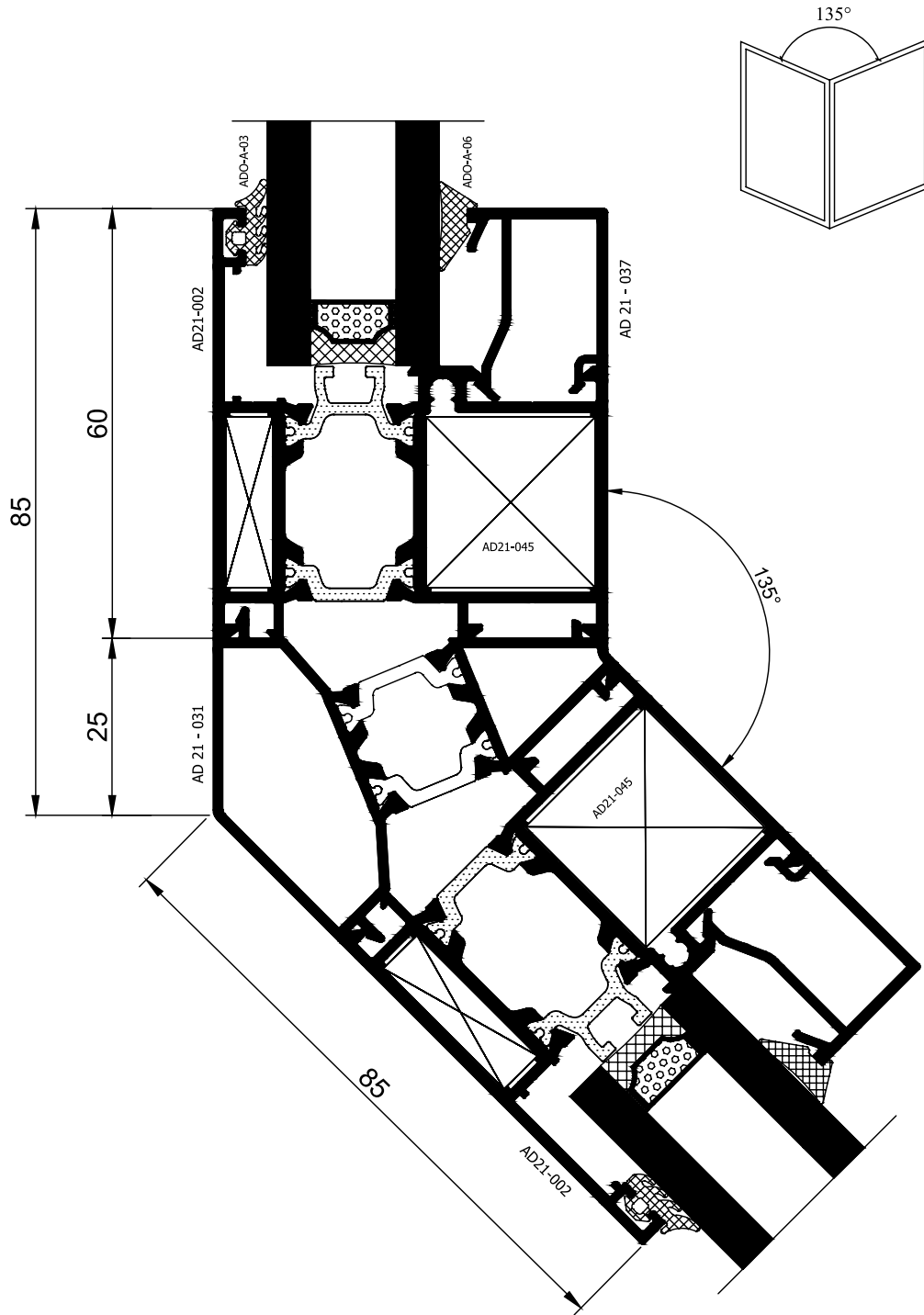
AD 55 T INSULATED JOINERY SYSTEM DETAILS



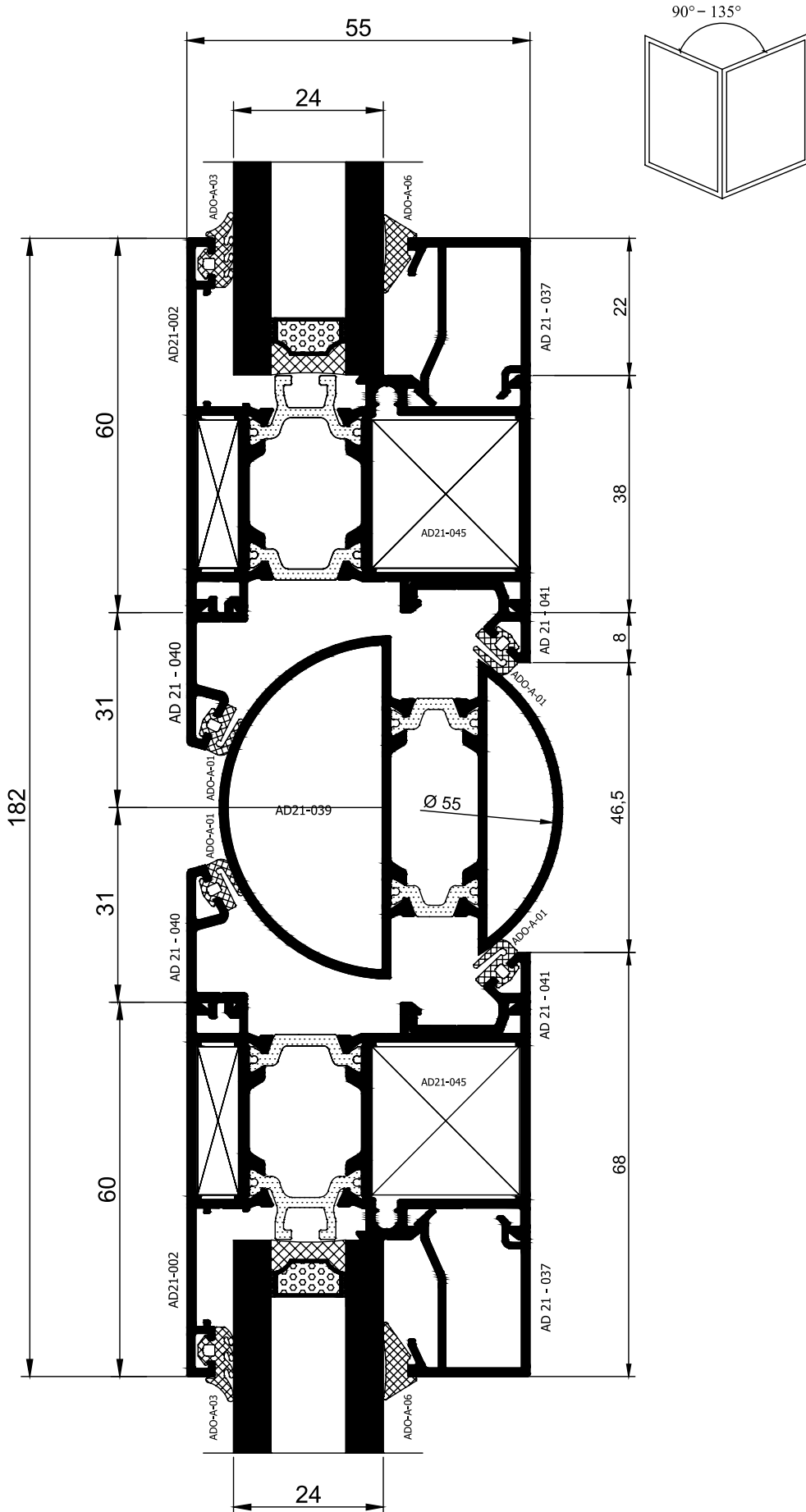
AD 55 T INSULATED JOINERY SYSTEM DETAILS



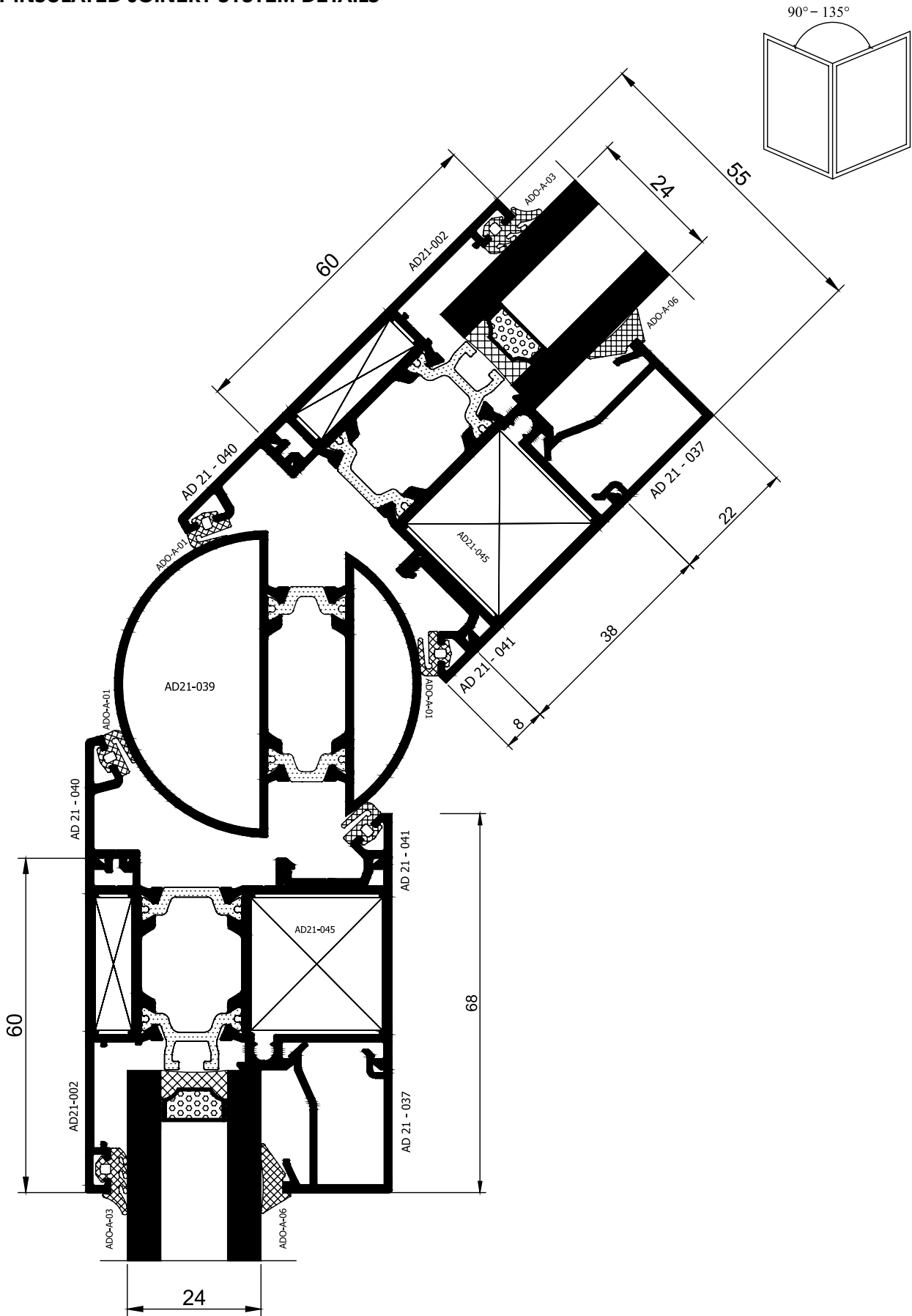
AD 55 T INSULATED JOINERY SYSTEM DETAILS



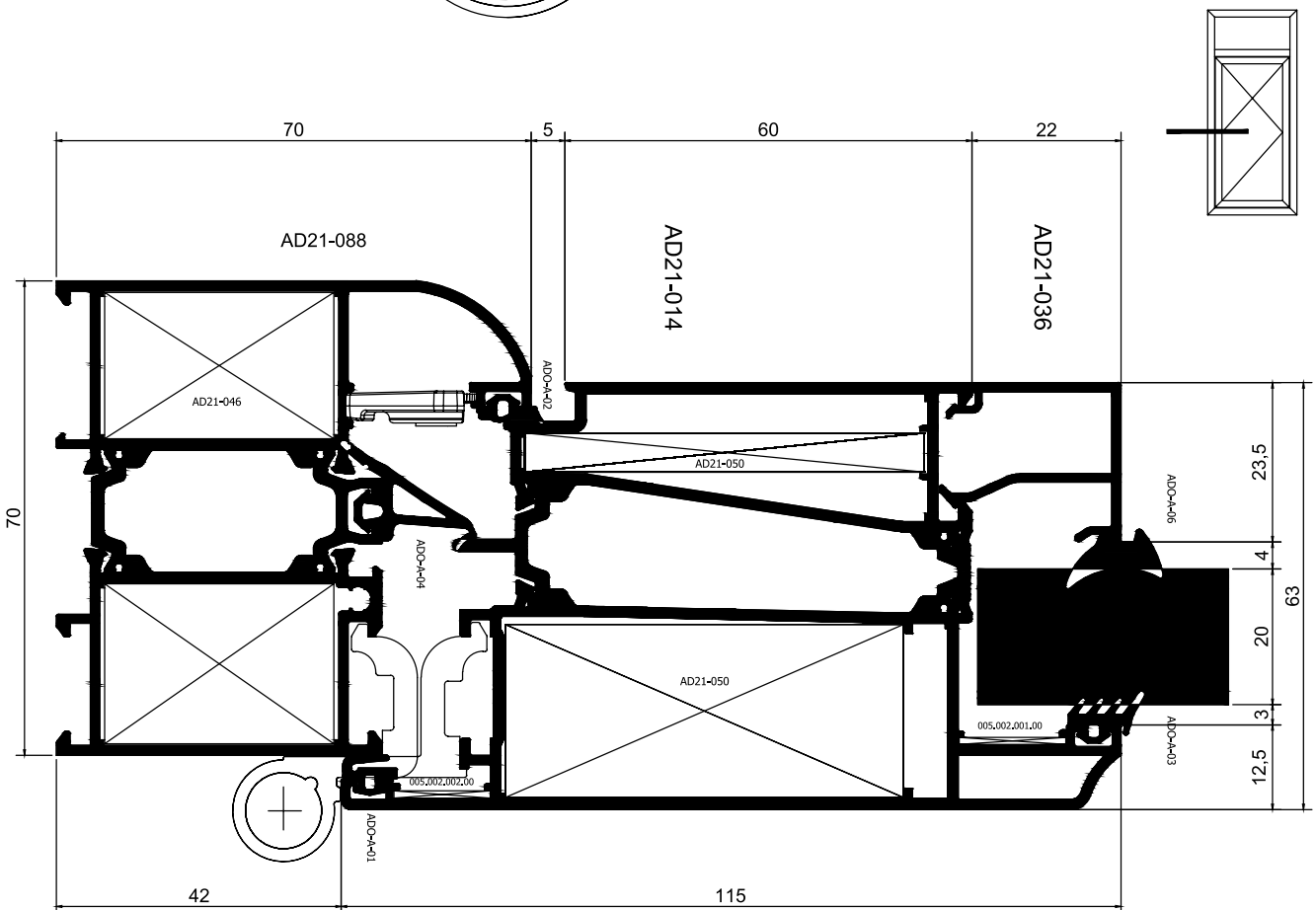
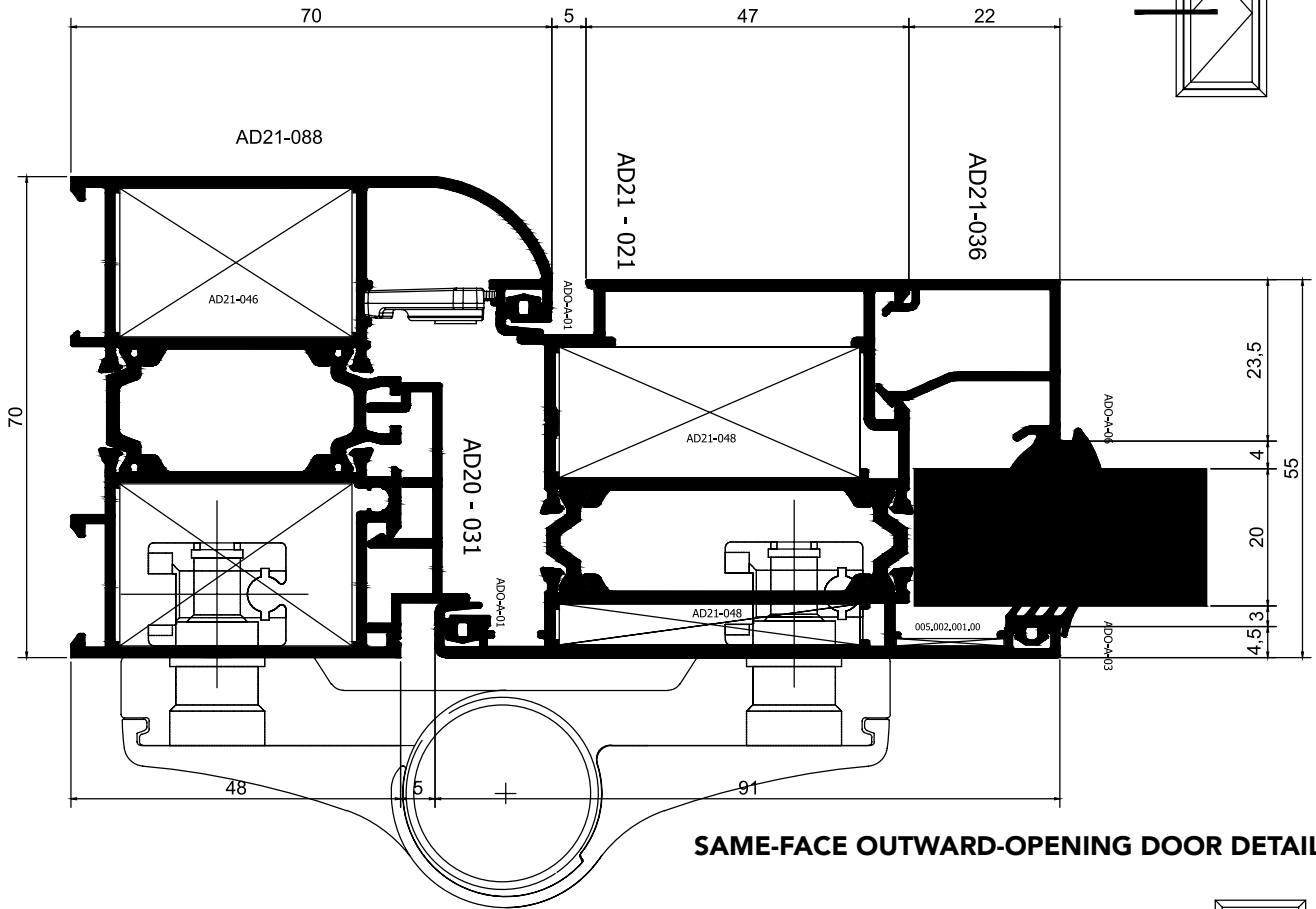
AD 55 T INSULATED JOINERY SYSTEM DETAILS



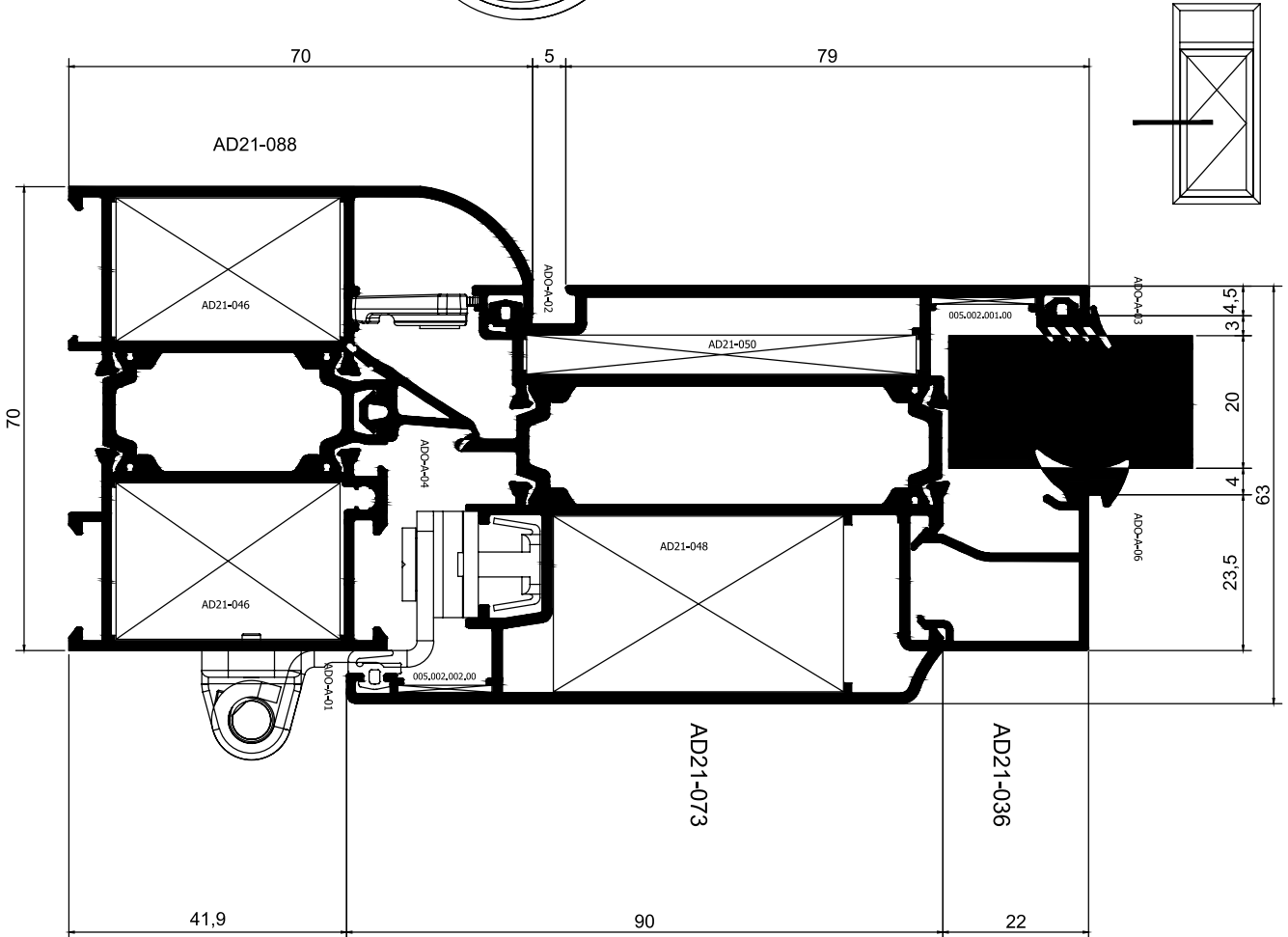
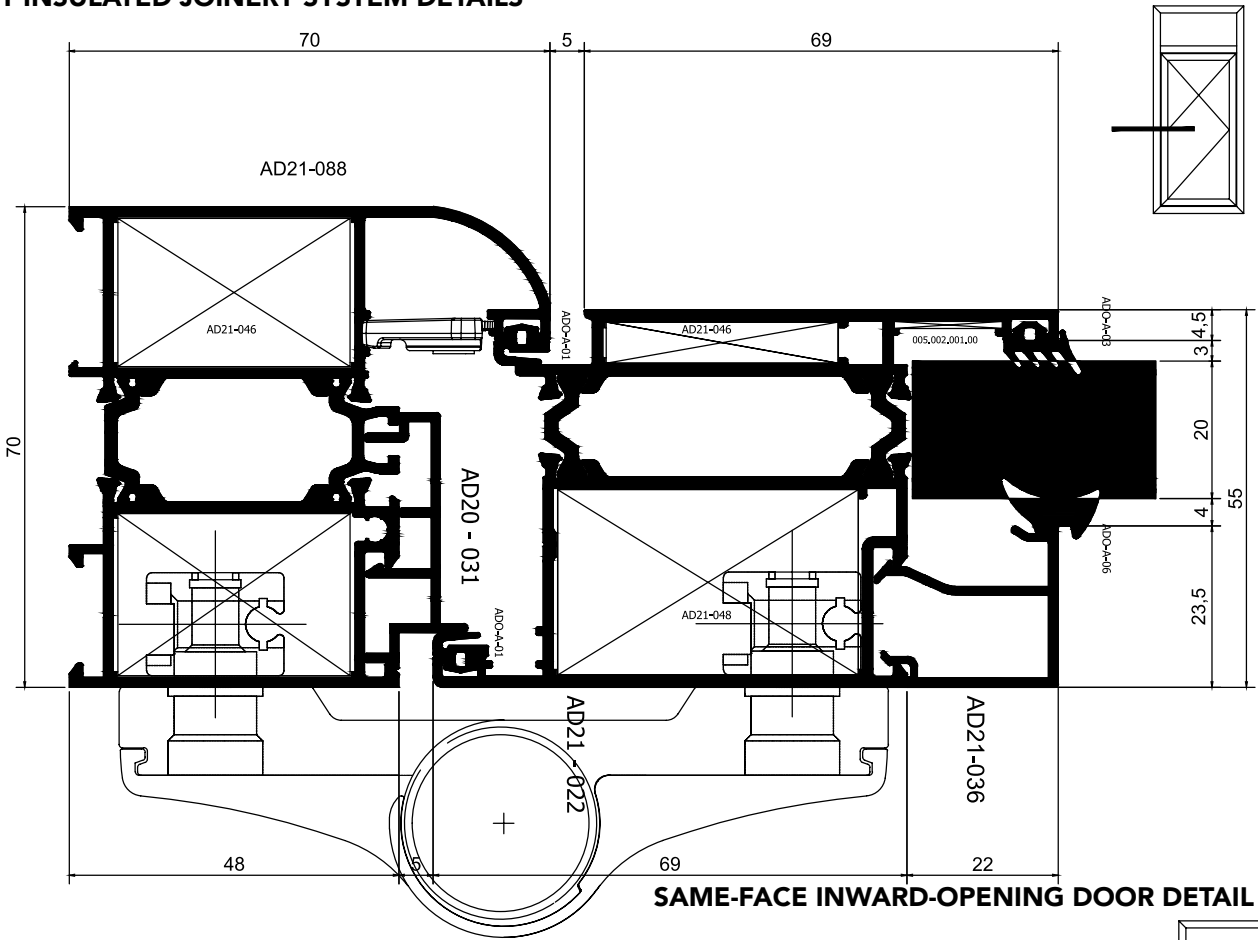
AD 55 T INSULATED JOINERY SYSTEM DETAILS



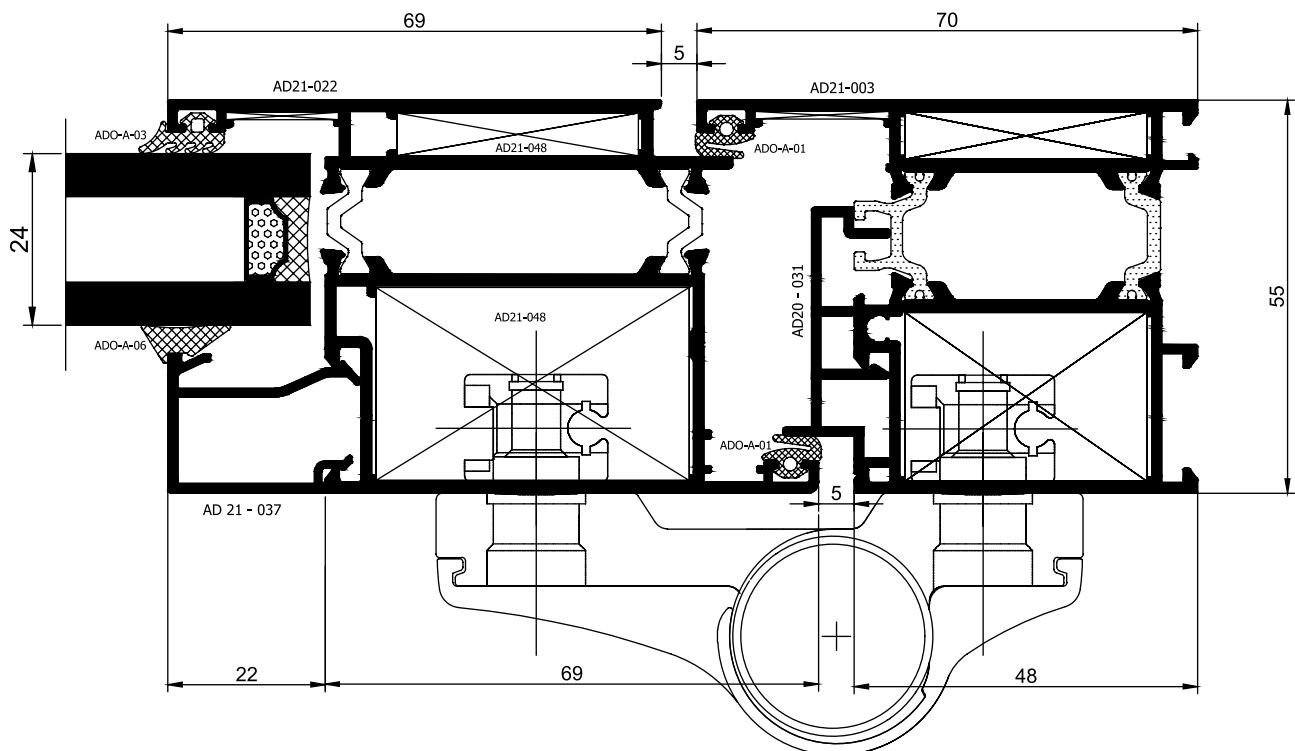
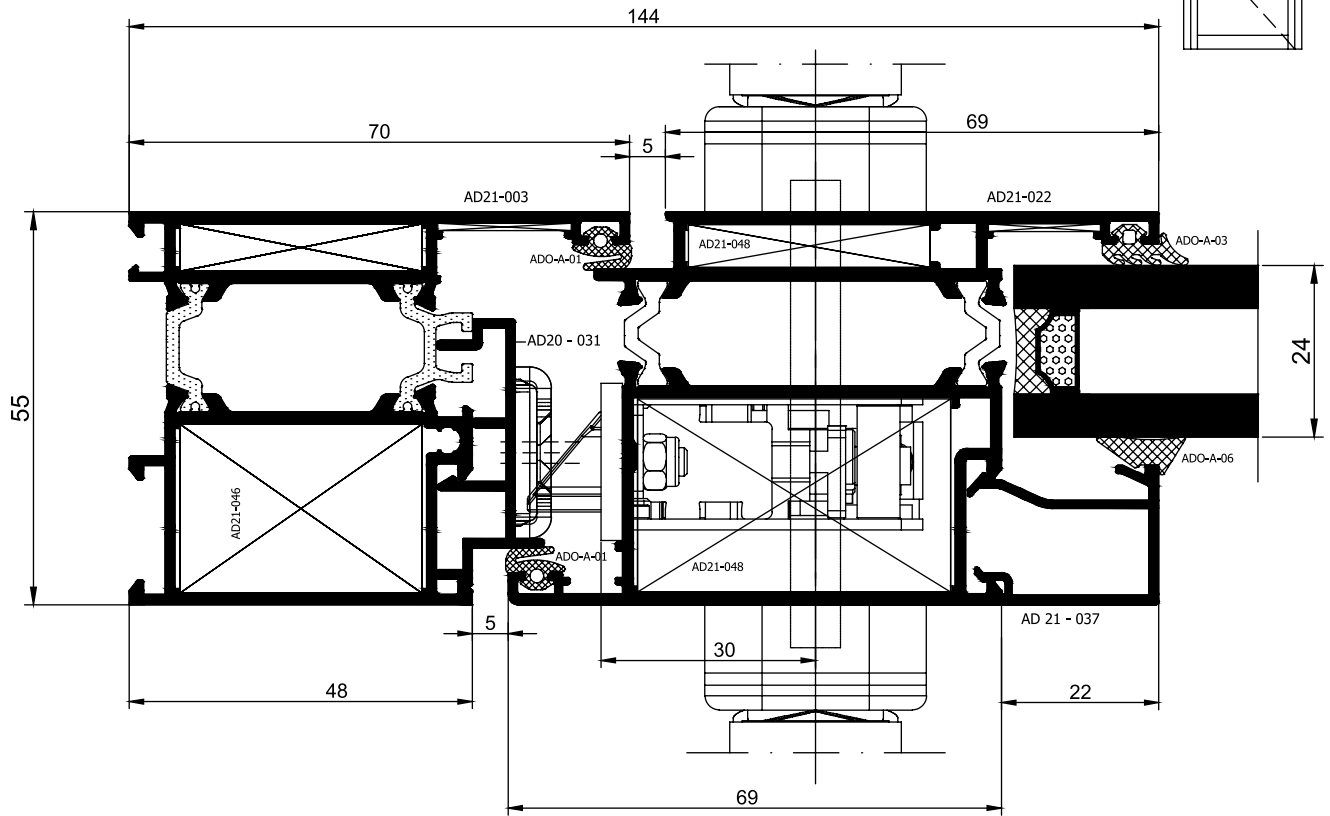
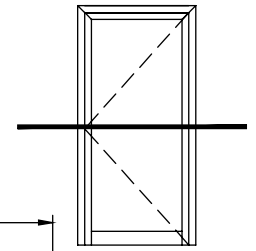
AD 55 T INSULATED JOINERY SYSTEM DETAILS



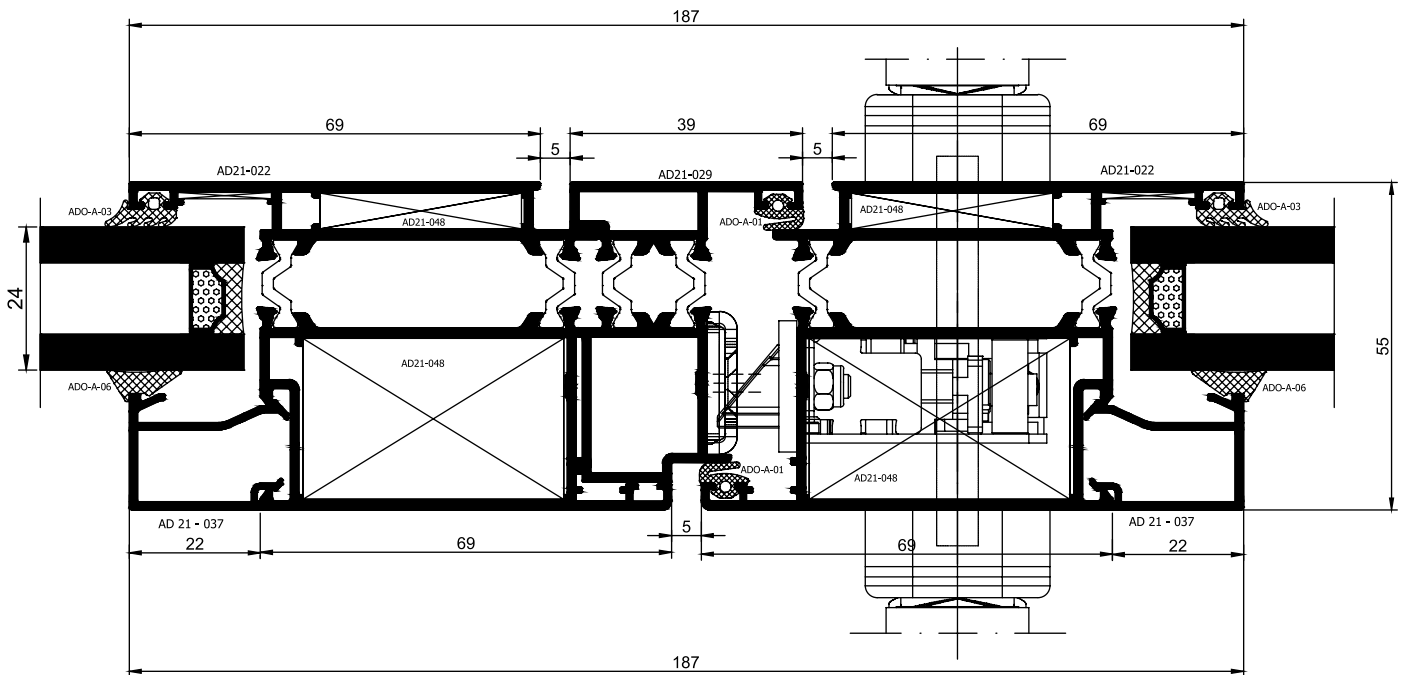
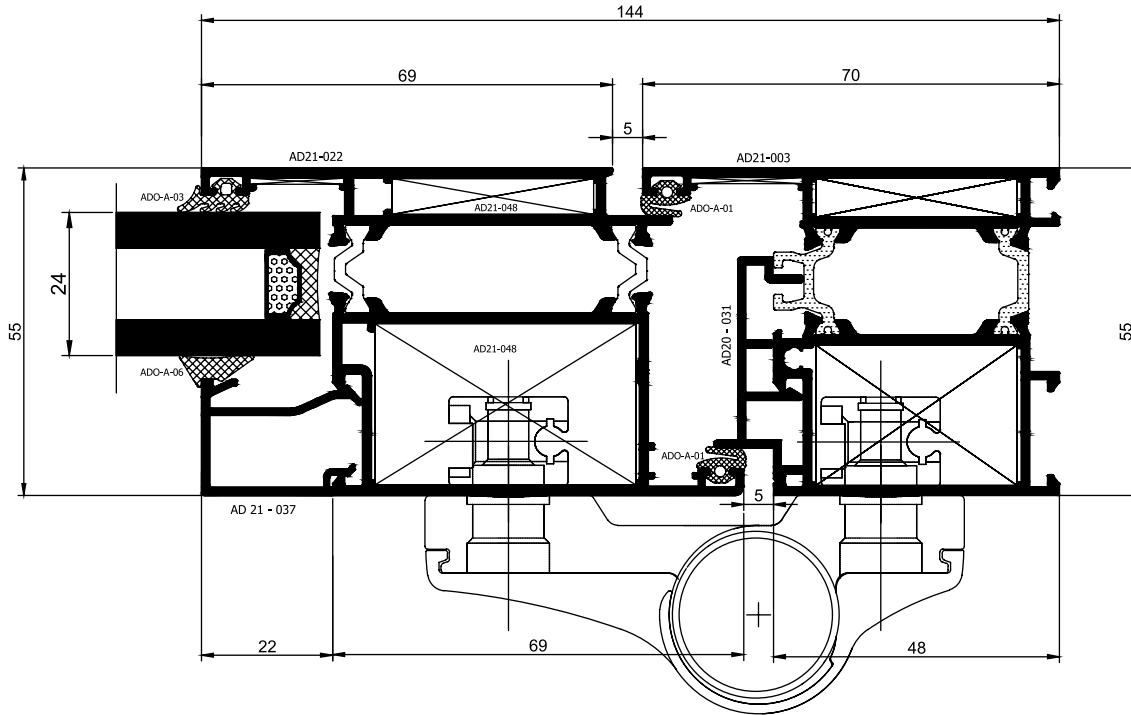
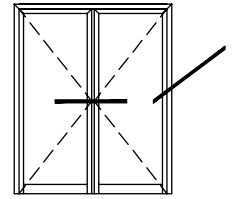
AD 55 T INSULATED JOINERY SYSTEM DETAILS



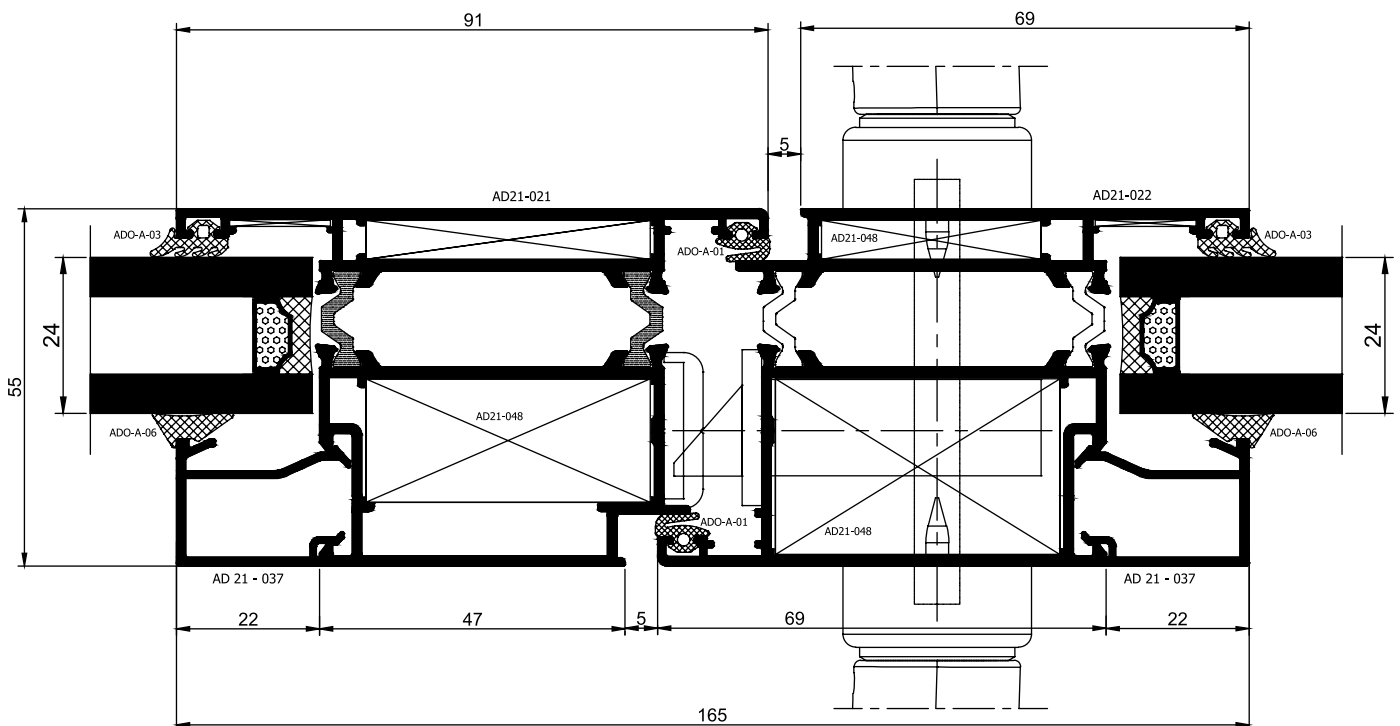
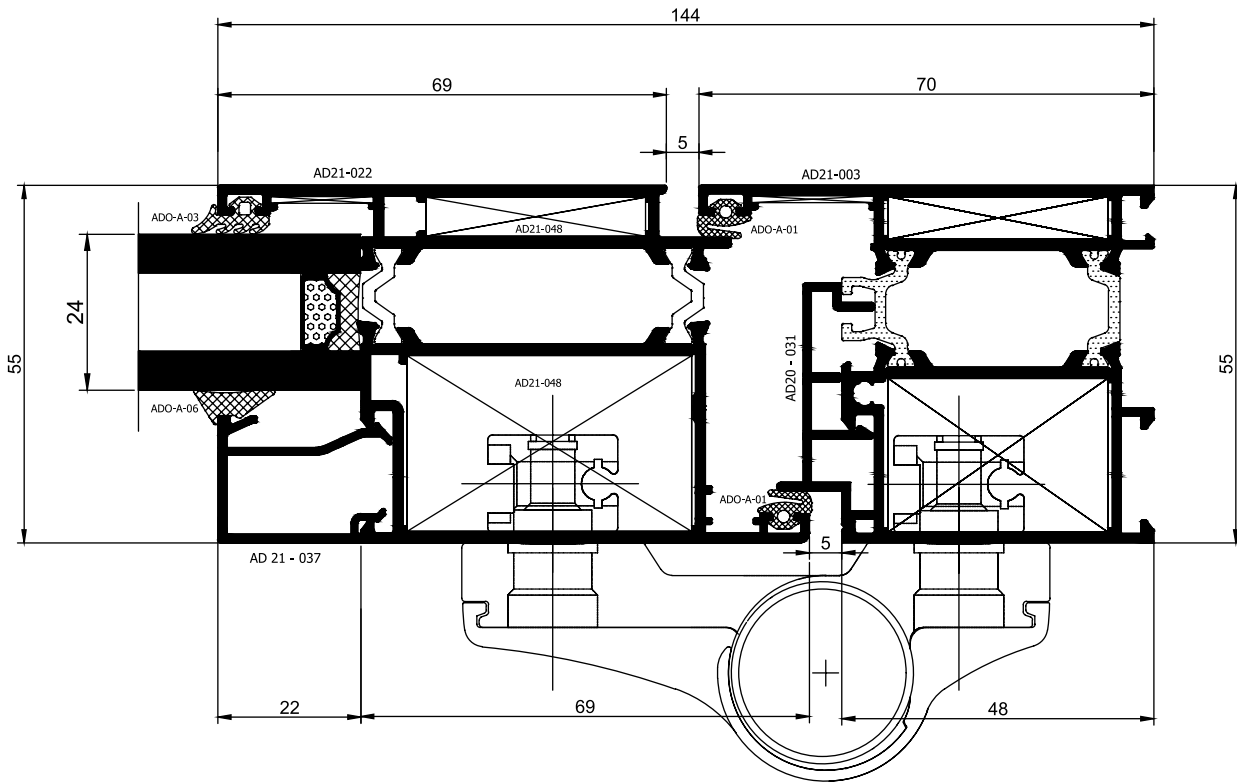
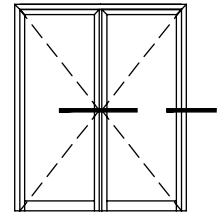
AD 55 T INSULATED JOINERY SYSTEM DETAILS OUTWARD-OPENING DOOR DETAILS



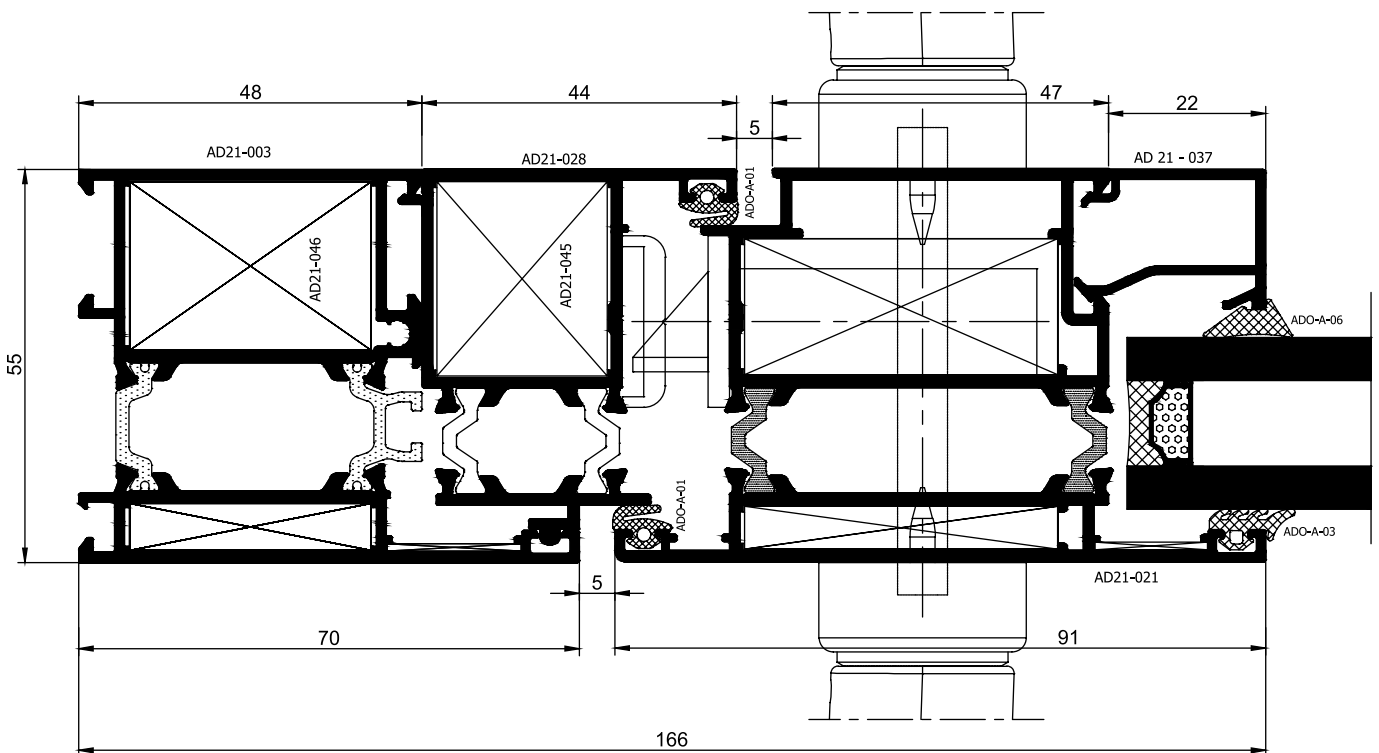
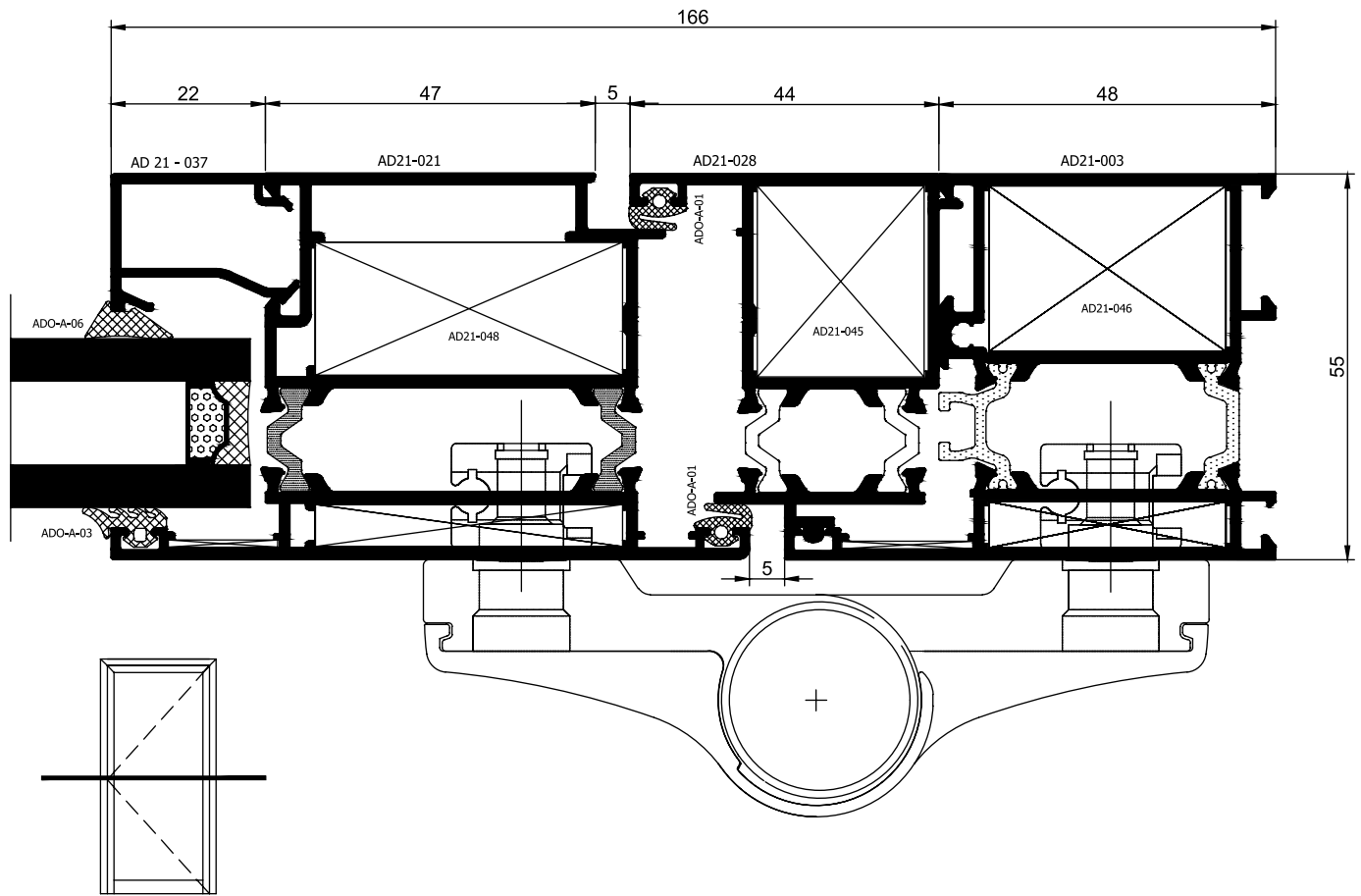
AD 55 T INSULATED JOINERY SYSTEM DETAILS OUTWARD-OPENING DOOR DETAILS



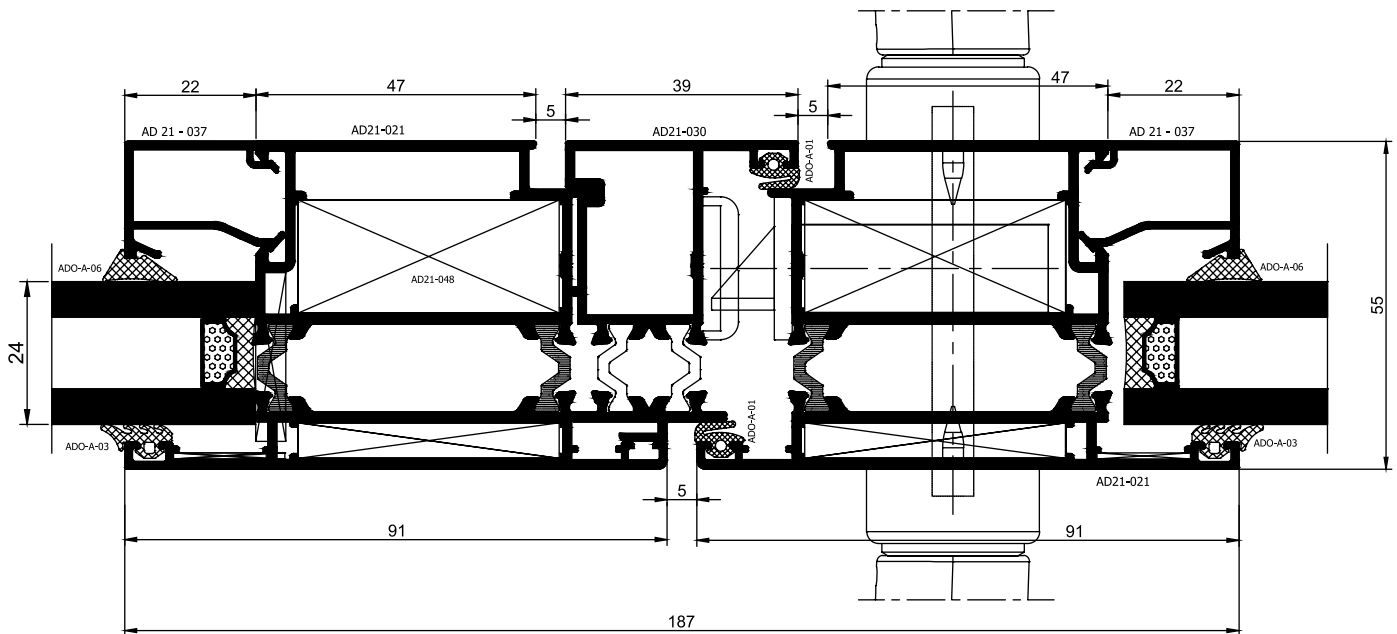
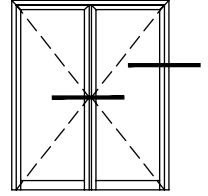
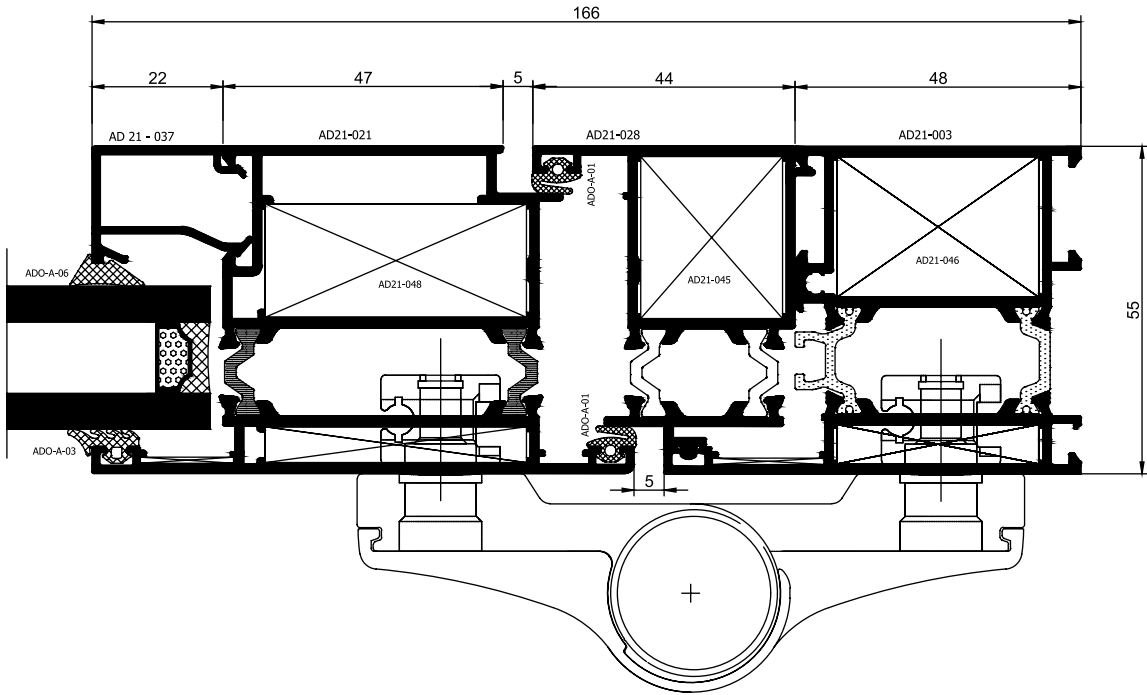
AD 55 T INSULATED JOINERY SYSTEM DETAILS OUTWARD-OPENING DOOR DETAILS



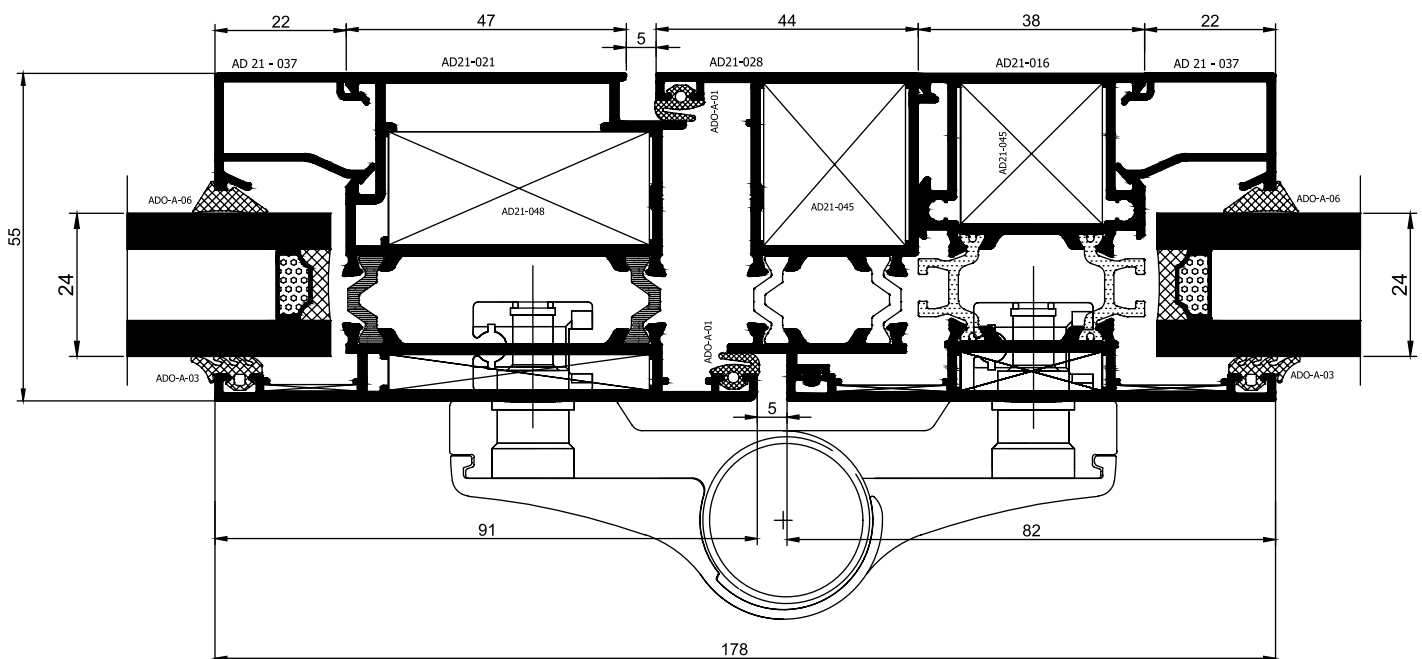
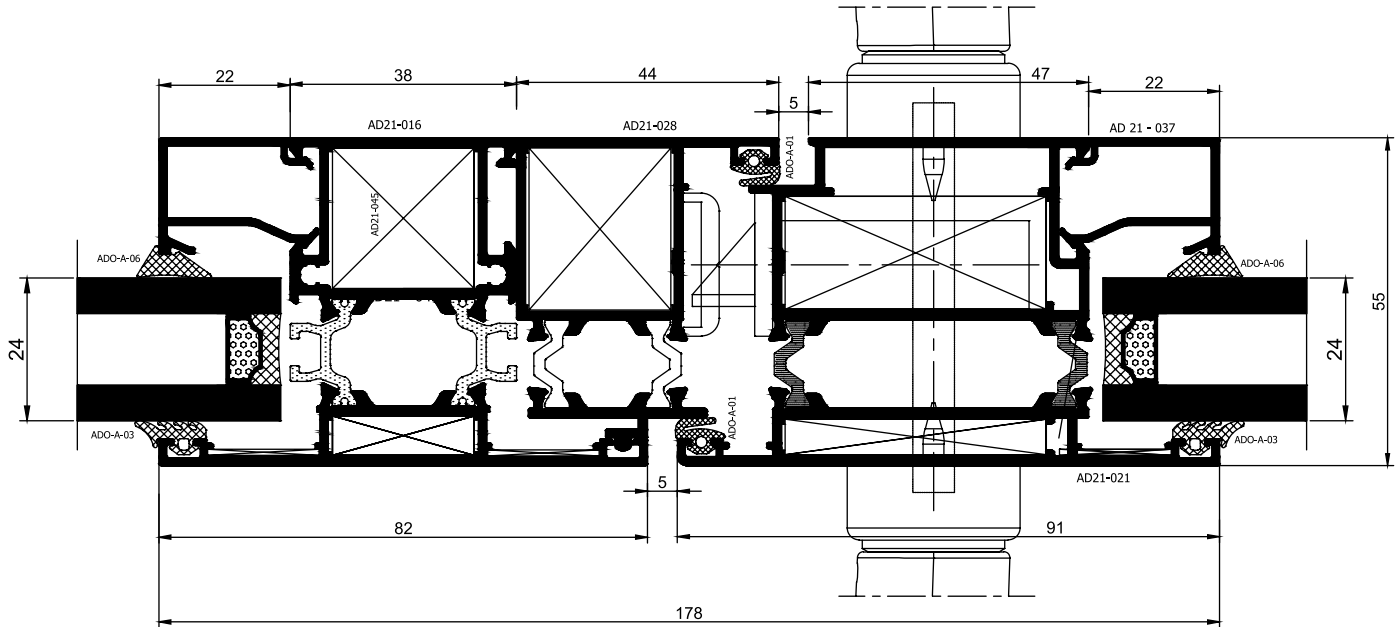
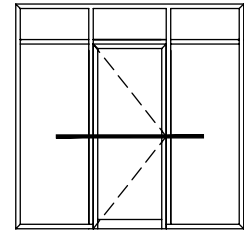
AD 55 T INSULATED JOINERY SYSTEM DETAILS OUTWARD-OPENING DOOR DETAILS



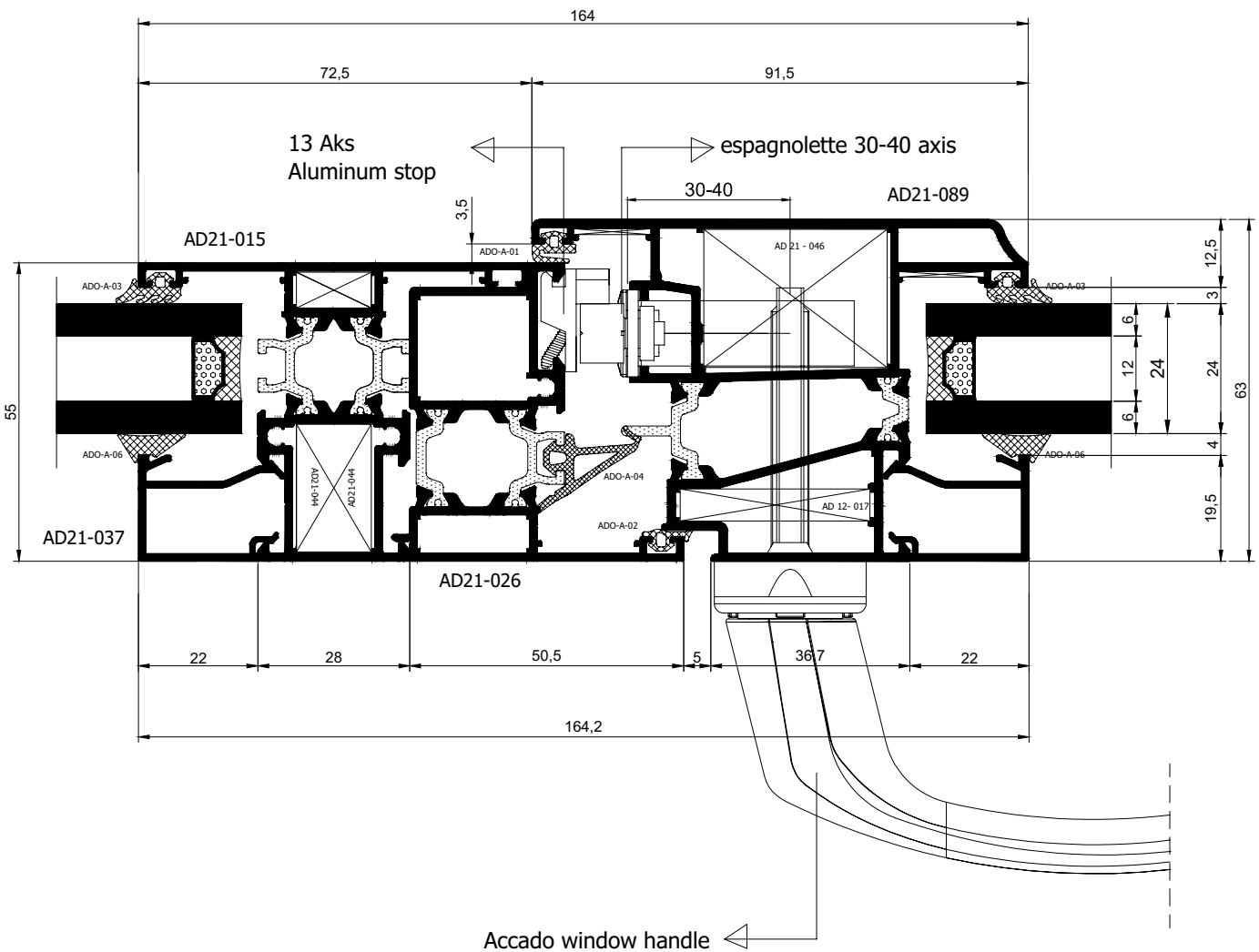
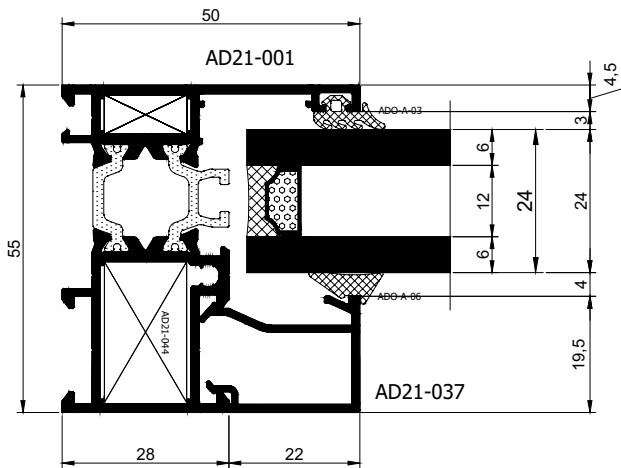
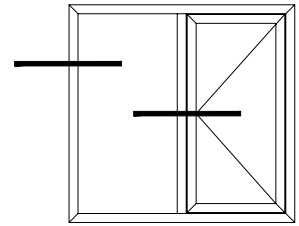
**AD 55 T INSULATED JOINERY SYSTEM DETAILS
OUTWARD-OPENING DOOR DETAILS**



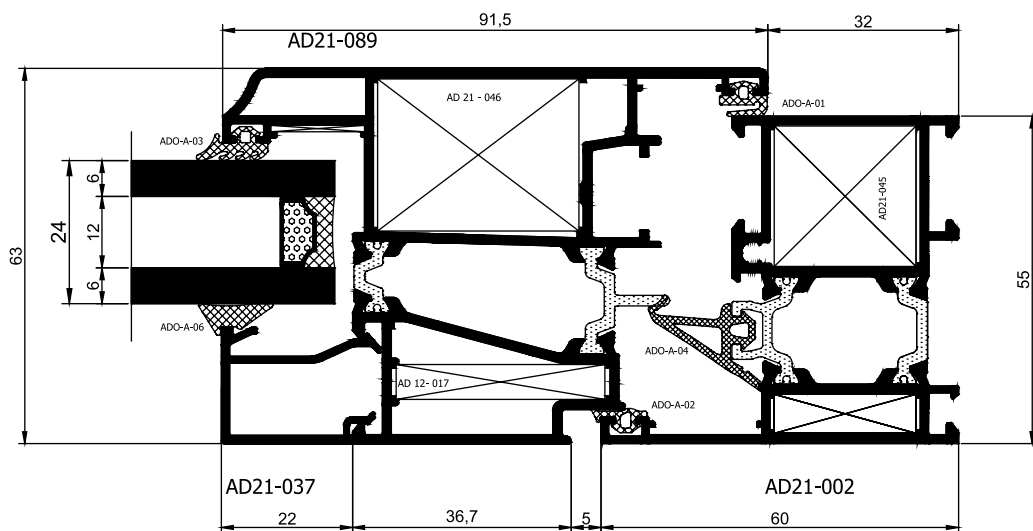
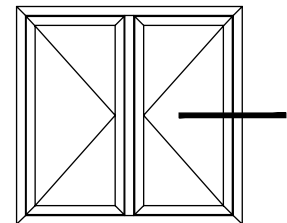
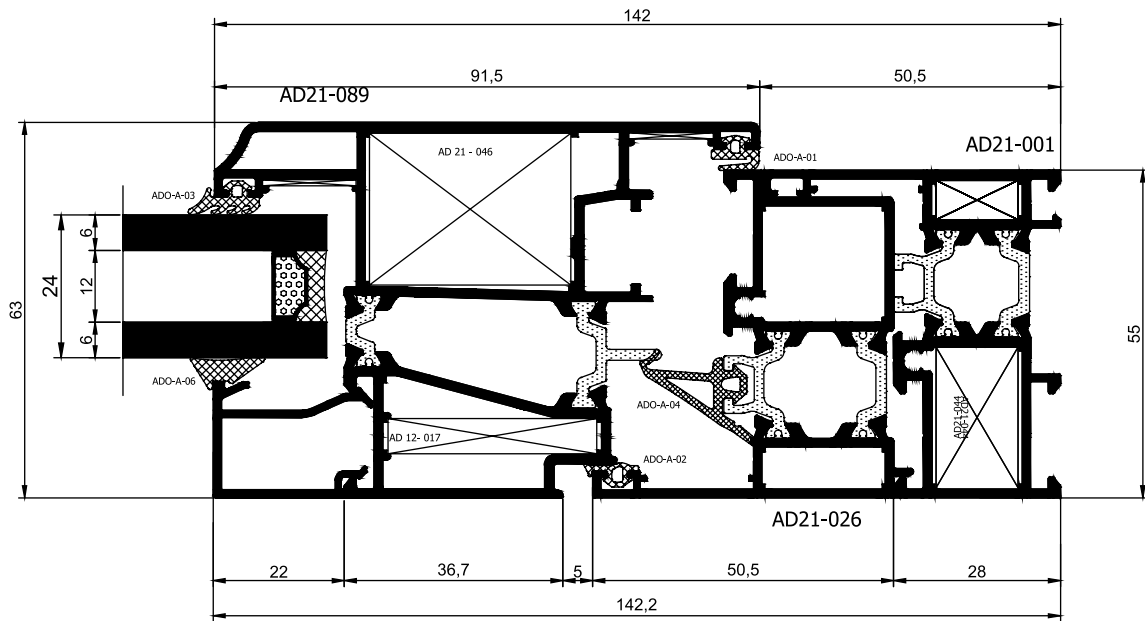
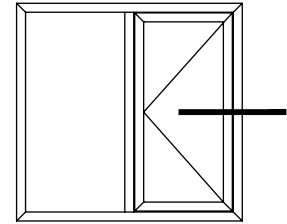
AD 55 T INSULATED JOINERY SYSTEM DETAILS OUTWARD-OPENING DOOR DETAILS



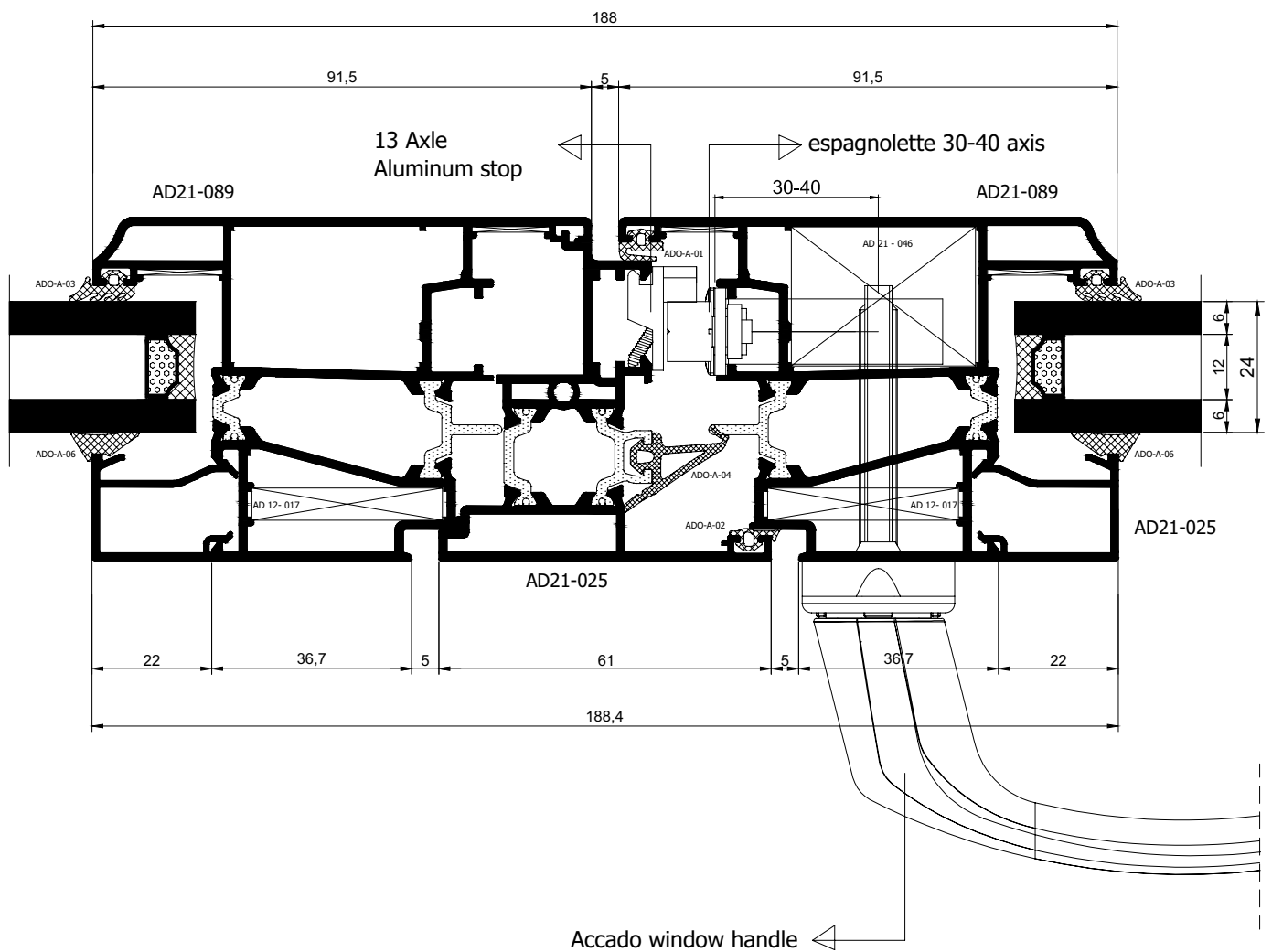
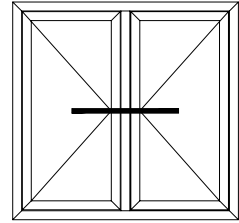
**AD 55 T INSULATED JOINERY SYSTEM DETAILS
OUTWARD-OPENING WINDOW DETAILS**



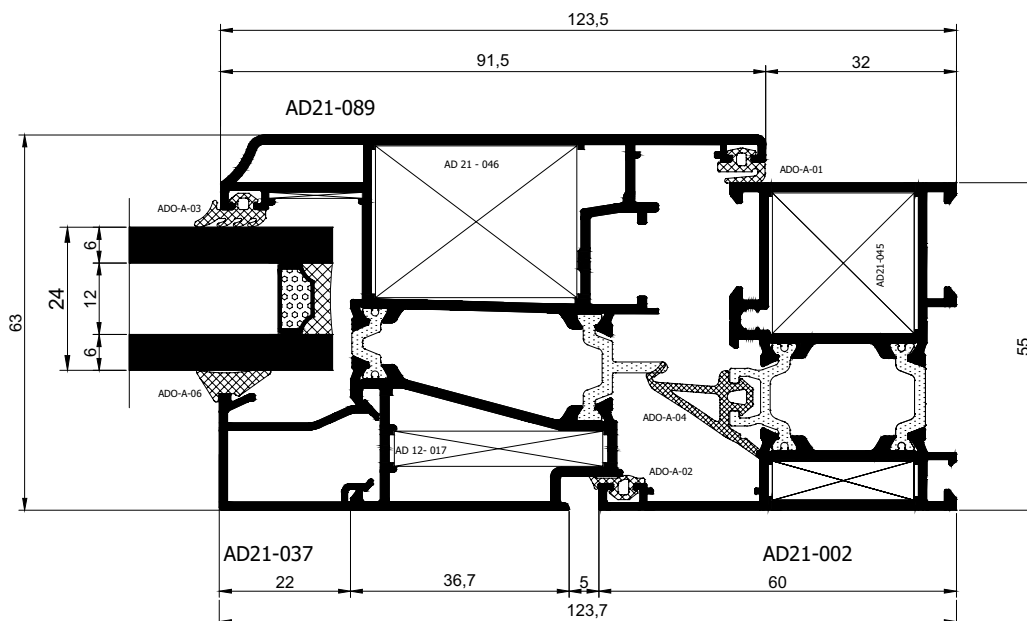
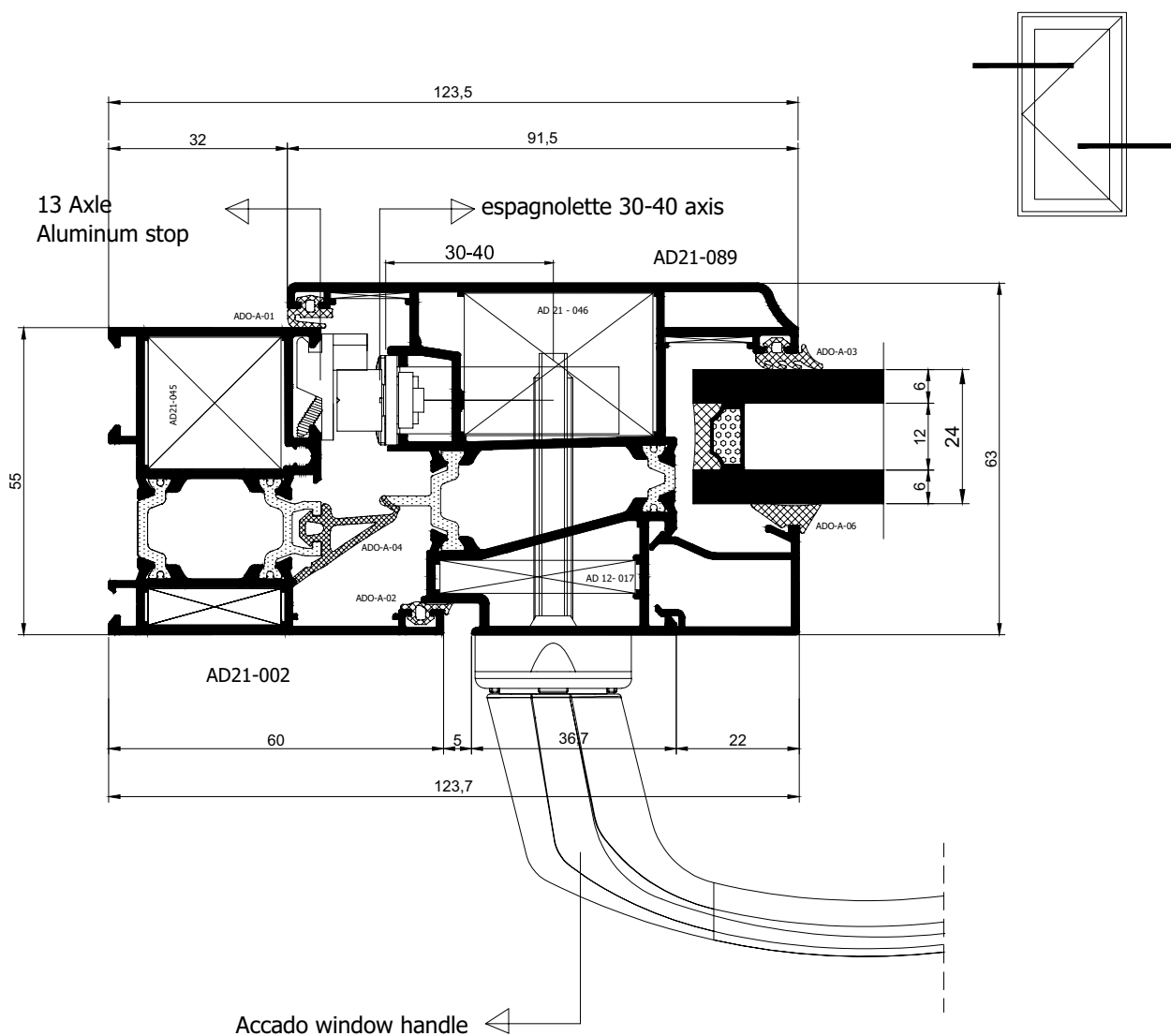
AD 55 T INSULATED JOINERY SYSTEM DETAILS OUTWARD-OPENING WINDOW DETAILS



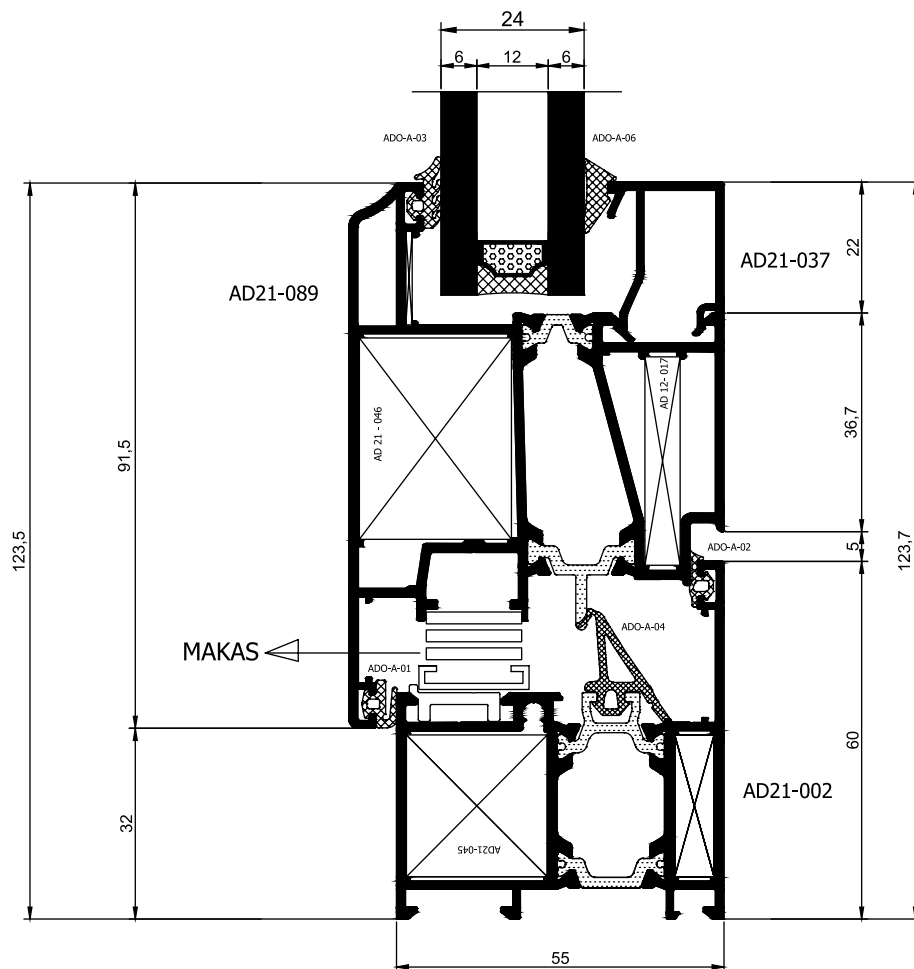
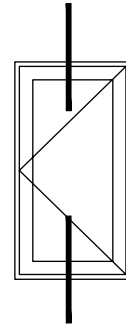
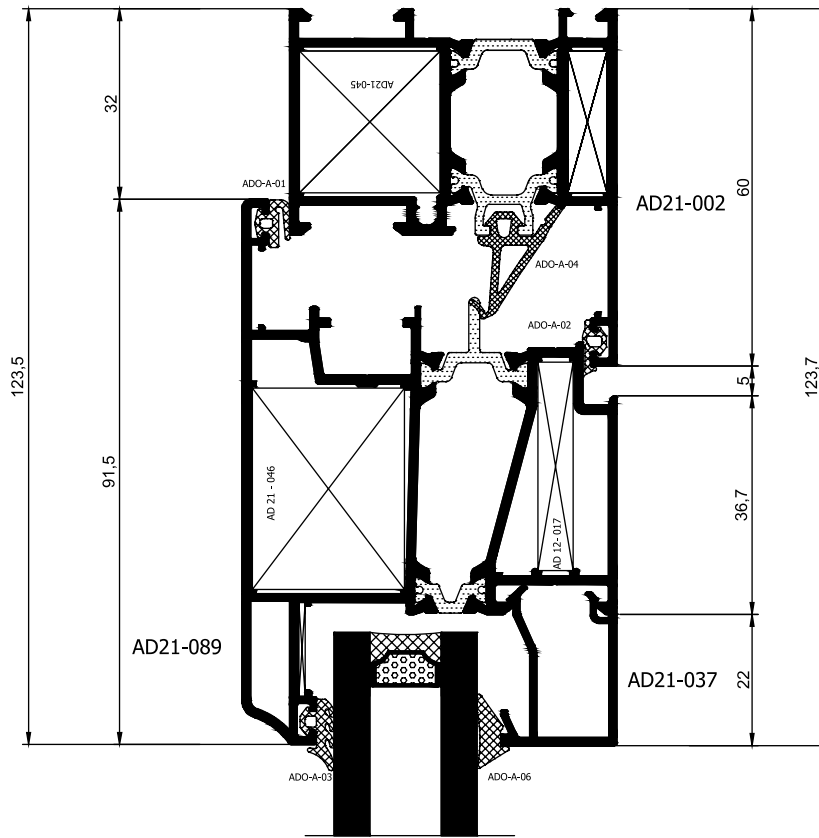
**AD 55 T INSULATED JOINERY SYSTEM DETAILS
OUTWARD-OPENING WINDOW DETAILS**



AD 55 T INSULATED JOINERY SYSTEM DETAILS OUTWARD-OPENING WINDOW DETAILS



AD 55 T INSULATED JOINERY SYSTEM DETAILS OUTWARD-OPENING WINDOW DETAILS



ADO Alüminyum

www.adoaluminyum.com.tr

FACTORY

Antalya Organize Sanayi Bölgesi 2.Kısım Mah. 21.Cadde No:3 07040 Döşemealtı / ANTALYA
Tel : +90 242 236 40 00 · Faks : +90 242 236 40 90 · Email : info@adoaluminyum.com.tr